

SAC-4P-M12MRT/ 1,0-PUR/M12FRT - Power cable



1415196

<https://www.phoenixcontact.com/us/products/1415196>

Please be informed that the data shown in this PDF document is generated from our online catalog. Please find the complete data in the user documentation. Our general terms of use for downloads are valid.

Power cable, 4-position, PUR halogen-free, black-gray RAL 7021, Plug angled M12, coding: T, on Socket angled M12, coding: T, cable length: 1 m, For direct current up to 12 A/63 V



Your advantages

- Easy and safe: 100 % electrically tested plug-in components
- Protection against incorrect connection using special T-coding
- Our standard: robust halogen-free PUR cable

Commercial data

Item number	1415196
Packing unit	1 pc
Minimum order quantity	1 pc
Note	Made to order (non-returnable)
Sales key	BF05
Product key	AF1CCQ
GTIN	4055626041216
Weight per piece (including packing)	128.1 g
Weight per piece (excluding packing)	128.1 g
Customs tariff number	85444290
Country of origin	PL

Technical data

Product properties

Product type	Power cable
Application	Energy supply
Number of positions	4
No. of cable outlets	1
Shielded	no
Coding	T

Insulation characteristics

Overvoltage category	III
Degree of pollution	3

Material specifications

Flammability rating according to UL 94	V0
Material of grip body	PP
Contact material	CuZn
Contact surface material	Ni/Au
Contact carrier material	PA
Material for screw connection	Zinc die-cast, nickel-plated

Electrical properties

Insulation resistance	$\geq 100 \text{ M}\Omega$
Nominal voltage U_N	63 V DC
Nominal current I_N	12 A

Mechanical properties

Mechanical data

Insertion/withdrawal cycles	> 100
-----------------------------	-------

Connector

Connection 1

Type	Plug angled M12
Coding type	T (Power)

Connection 2

Type	Socket angled M12
Coding type	T (Power)

Cable/line

Cable length	1 m
--------------	-----

PUR halogen-free black [PUR]

SAC-4P-M12MRT/ 1,0-PUR/M12FRT - Power cable



1415196

<https://www.phoenixcontact.com/us/products/1415196>

Dimensional drawing	
Cable weight	83 kg/km
UL AWM Style	20549 / 10493 (80°C/300 V)
Number of positions	4
Shielded	no
Cable type	PUR halogen-free black [PUR]
Conductor structure, voltage supply	44x 0.20 mm
AWG power supply	16
Conductor cross-section	4x 1.5 mm ²
Wire diameter incl. insulation	2.2 mm ±0.05 mm
External cable diameter	6.75 mm ±0.2 mm
Outer sheath, material	PUR
External sheath, color	black-gray RAL 7021
Conductor material	Bare Cu litz wires
Material wire insulation	PP
Single wire, color	brown, white, blue, black
Thickness, insulation	≥ 0.26 mm
Thickness, outer sheath	approx. 0.70 mm
Overall twist	4 wires, twisted
Max. conductor resistance	≤ 14.1 Ω/km (at 20 °C)
Insulation resistance	≥ 1 GΩ*km (at 20 °C)
Nominal voltage, cable	≤ 300 V AC
Test voltage	≥ 3000 V AC (Spark test)
Minimum bending radius, fixed installation	5 x D
Minimum bending radius, flexible installation	10 x D
Smallest bending radius, fixed installation	34 mm
Smallest bending radius, movable installation	68 mm
Dynamic load capacity (bending)	Max. bending cycles: 5000000, Bending radius: 10 x D, Traversing path: 10 m, Traversing rate: 3 m/s, Acceleration: 10 m/s ²
Dynamic load capacity (torsion)	Torsion: ±180 °/m, Torsion cycles: 500000, Torsional frequency: 35 cycles/min.
Halogen-free	in accordance with DIN VDE 0472 part 815 in accordance with DIN EN 50267-2-1
Flame resistance	According to UL 758/1581 (Cable Flame) in accordance with UL 758/1581 FT2 according to DIN EN 60332-2-2

SAC-4P-M12MRT/ 1,0-PUR/M12FRT - Power cable



1415196

<https://www.phoenixcontact.com/us/products/1415196>

Resistance to oil	according to DIN EN 60811-404, 168 h at 100 °C
	according to UL 758, 168 h at 60 °C
Other resistance	Hydrolysis and microbe resistant as per VDE 0282 section 10
	Low adhesion
	abrasion-resistant
	Resistant to salt water
Special properties	Flexible cable conduit capable
Ambient temperature (operation)	-50 °C ... 85 °C (cable, fixed installation)
	-30 °C ... 85 °C (Cable, flexible installation)

Environmental and real-life conditions

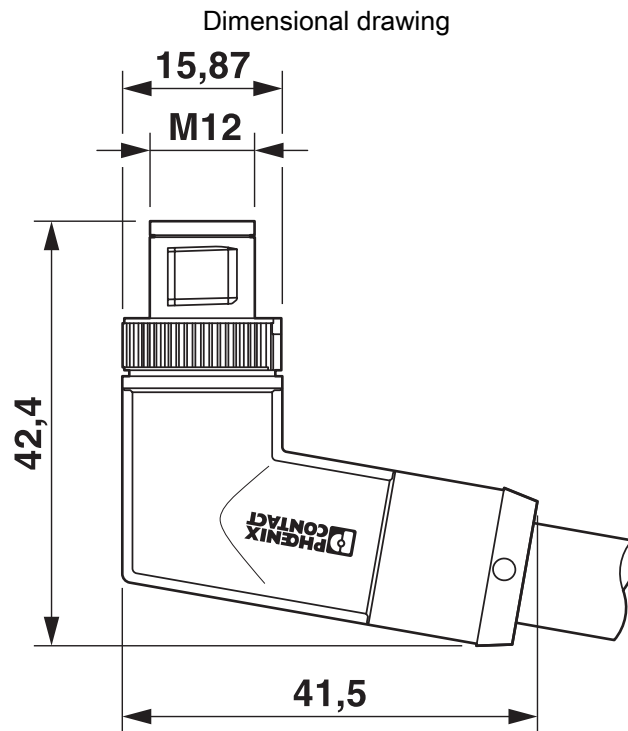
Ambient conditions

Degree of protection	IP65
	IP67
Ambient temperature (operation) (male connector/female connector)	-25 °C ... 85 °C (Plug / socket)

Standards and regulations

Standard designation	M12 connector
Standards/specifications	IEC 61076-2-111

Drawings



M12 x 1 male plug, angled



M12 x 1 socket, angled

1415196

<https://www.phoenixcontact.com/us/products/1415196>

Schematic diagram



Pin assignment for M12 plug, 4-pos., T-coded, view of plug side

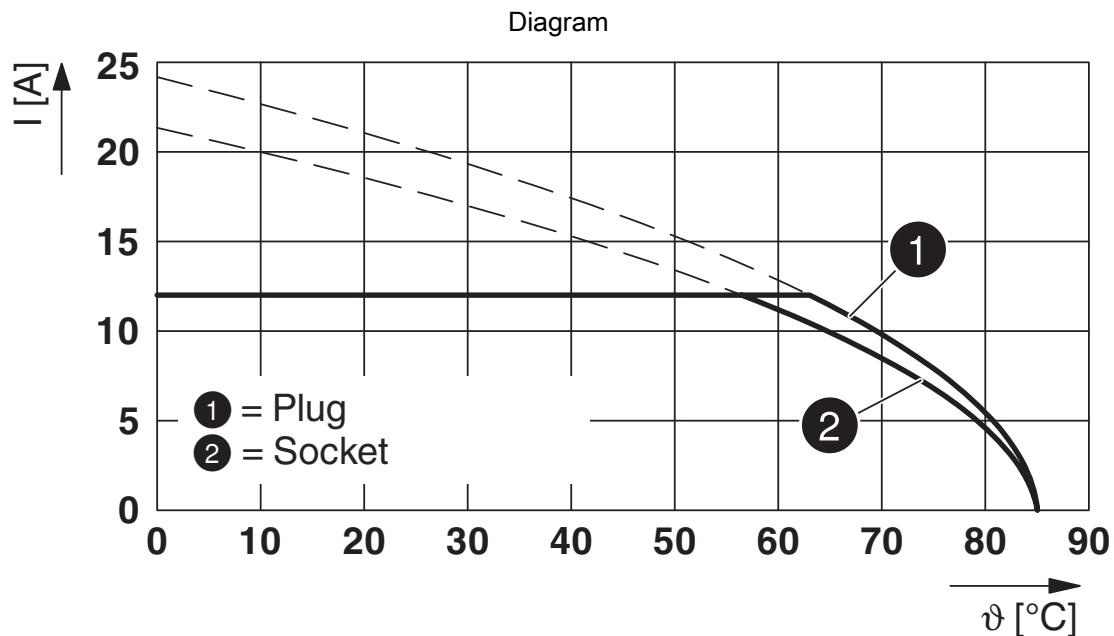
Schematic diagram



Pin assignment of M12 socket, 4-pos., T-coded, socket side view

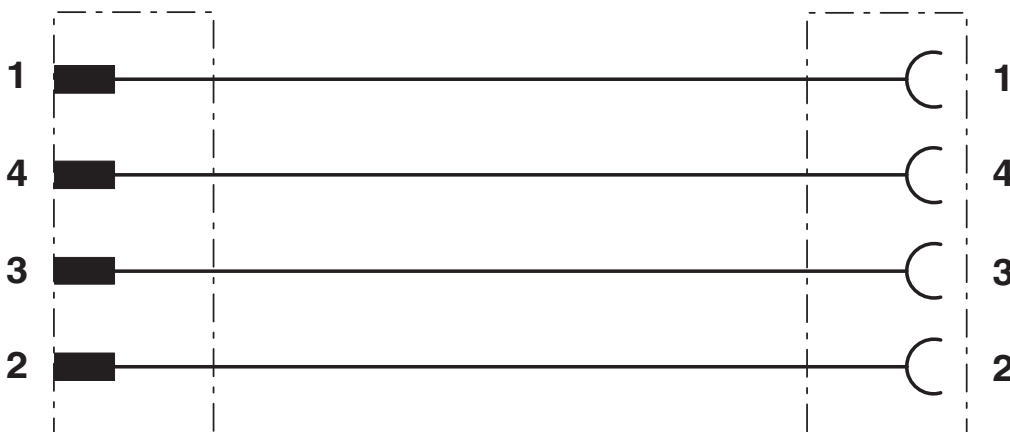
1415196

<https://www.phoenixcontact.com/us/products/1415196>



Base curve

Circuit diagram



Contact assignment of M12 connector/socket

SAC-4P-M12MRT/ 1,0-PUR/M12FRT - Power cable



1415196

<https://www.phoenixcontact.com/us/products/1415196>

Approvals

To download certificates, visit the product detail page: <https://www.phoenixcontact.com/us/products/1415196>

 UL Listed Approval ID: E468743				
	Nominal voltage U_N	Nominal current I_N	Cross section AWG	Cross section mm^2
keine				
	63 V	12 A	- 16	- 16

 cUL Listed Approval ID: E468743				
	Nominal voltage U_N	Nominal current I_N	Cross section AWG	Cross section mm^2
keine				
	63 V	12 A	- 16	-

 EAC-RoHS Approval ID: RU D-DE.HB35.B.00387				
--	--	--	--	--

SAC-4P-M12MRT/ 1,0-PUR/M12FRT - Power cable



1415196

<https://www.phoenixcontact.com/us/products/1415196>

Classifications

ECLASS

ECLASS-13.0	27060327
ECLASS-15.0	27060327

ETIM

ETIM 10.0	EC001855
-----------	----------

UNSPSC

UNSPSC 21.0	26121600
-------------	----------

SAC-4P-M12MRT/ 1,0-PUR/M12FRT - Power cable



1415196

<https://www.phoenixcontact.com/us/products/1415196>

Environmental product compliance

EU RoHS

Fulfills EU RoHS substance requirements	Yes, No exemptions
---	--------------------

China RoHS

Environment friendly use period (EFUP)	EFUP-E
	No hazardous substances above the limits

EU REACH SVHC

REACH candidate substance (CAS No.)	No substance above 0.1 wt%
-------------------------------------	----------------------------

EF3.1 Climate Change

CO2e kg	2.464 kg CO2e
---------	---------------

Phoenix Contact 2026 © - all rights reserved
<https://www.phoenixcontact.com>

Phoenix Contact USA
586 Fulling Mill Road
Middletown, PA 17057, United States
(+717) 944-1300
info@phoenixcon.com