

G-INTRO-M25-M68N-PEPDS-BK - Cable gland



1415190

<https://www.phoenixcontact.com/us/products/1415190>

Please be informed that the data shown in this PDF document is generated from our online catalog. Please find the complete data in the user documentation. Our general terms of use for downloads are valid.



Cable gland, material for screw connection: PA, application: Standard, external cable diameter 9 mm ... 17 mm, shielding: no, connecting thread: M25 x 1.5, color: jet black, with external strain relief

Your advantages

- Glow-wire test: 750°C
- Weatherproof sealing material
- Halogen-free

Commercial data

Item number	1415190
Packing unit	10 pc
Minimum order quantity	10 pc
Sales key	BF68
Product key	AF7DEX
GTIN	4055626038186
Weight per piece (including packing)	35.49 g
Weight per piece (excluding packing)	34.8 g
Customs tariff number	39269097
Country of origin	DE

G-INTRO-M25-M68N-PEPDS-BK - Cable gland



1415190

<https://www.phoenixcontact.com/us/products/1415190>

Technical data

Product properties

Product type	Cable screw gland
Application	Standard
No. of conductors	1
Manufacturer	WISKA
Manufacturer Designation	ESKVZ 25
Shielded	no
Execution of the strain relief	B

Characteristics

Category of shock impact	4
Design, Strain relief	B

Dimensions

Dimensional drawing	
Length	51 mm
Length of the connecting thread	10 mm
Length without connecting thread	41 mm
Hole diameter	25.1 mm ... 25.2 mm
Wrench size, union nut	29 mm
Wrench size, support	29 mm
Clamping range of the strain relief clip	9.00 mm ... 17.00 mm
Hexagon angular dimension	32 mm
Thread type connection side	M25 x 1.5
Thread pitch	1.5 mm

Connection data

Tightening torque	4 Nm (Union nut: EN 62444)
	10 Nm (Support: EN 62444)
	0.5 Nm (Screw for clip)

Material specifications

Color	black (RAL 9005)
Material	PA (Screw connection, halogen-free)
Seal material Cable seal	EPDM
Glow wire ignition temperature GWIT according to EN 60695-2-13	750
Material for screw connection	PA

G-INTRO-M25-M68N-PEPDS-BK - Cable gland



1415190

<https://www.phoenixcontact.com/us/products/1415190>

Cable/line

External cable diameter Cable 1	9 mm ... 17 mm
External cable diameter	10.8 mm ... 15.8 mm (for UL 514 B)
Halogen-free	yes

Environmental and real-life conditions

Ambient conditions

Degree of protection	IP68 (5 bar / 0.5 h)
	IP69 (DIN EN 60529 / IEC 60529)
Ambient temperature (operation)	-40 °C ... 100 °C (static)

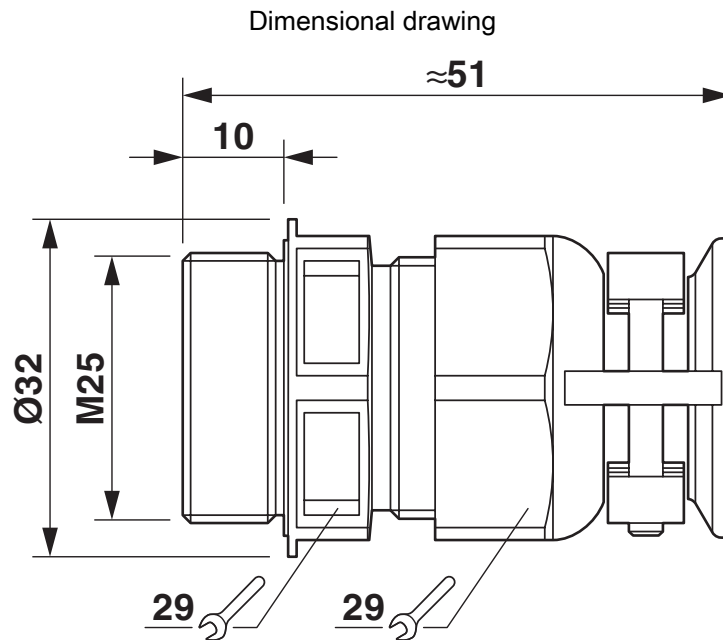
G-INTRO-M25-M68N-PEPDS-BK - Cable gland

1415190

<https://www.phoenixcontact.com/us/products/1415190>



Drawings



G-INTRO-M25-M68N-PEPDS-BK - Cable gland



1415190

<https://www.phoenixcontact.com/us/products/1415190>

Approvals

To download certificates, visit the product detail page: <https://www.phoenixcontact.com/us/products/1415190>



cUL Recognized
Approval ID: E179850



UL Recognized
Approval ID: E179850



GOST-R
Approval ID: POCC DE.A*98.H12052

G-INTRO-M25-M68N-PEPDS-BK - Cable gland



1415190

<https://www.phoenixcontact.com/us/products/1415190>

Classifications

ECLASS

ECLASS-13.0	27140801
ECLASS-15.0	27140801

ETIM

ETIM 10.0	EC000441
-----------	----------

UNSPSC

UNSPSC 21.0	39121300
-------------	----------

G-INTRO-M25-M68N-PEPDS-BK - Cable gland



1415190

<https://www.phoenixcontact.com/us/products/1415190>

Environmental product compliance

EU RoHS

Fulfills EU RoHS substance requirements	Yes, No exemptions
---	--------------------

China RoHS

Environment friendly use period (EFUP)	EFUP-E
	No hazardous substances above the limits

EU REACH SVHC

REACH candidate substance (CAS No.)	No substance above 0.1 wt%
-------------------------------------	----------------------------

EF3.1 Climate Change

CO2e kg	0.205 kg CO2e
---------	---------------

Phoenix Contact 2026 © - all rights reserved
<https://www.phoenixcontact.com>

Phoenix Contact USA
586 Fulling Mill Road
Middletown, PA 17057, United States
(+717) 944-1300
info@phoenixcon.com