

# MG-INC-M16-S67L-PTES-LG - Membrane screw connection



1415186

<https://www.phoenixcontact.com/us/products/1415186>

Please be informed that the data shown in this PDF document is generated from our online catalog. Please find the complete data in the user documentation. Our general terms of use for downloads are valid.



Membrane screw connection, material for screw connection: Polypropylene, application: Standard, external cable diameter 4 mm ... 10 mm, shielding: no, connecting thread: M16, color: light gray

## Commercial data

Item number	1415186
Packing unit	20 pc
Minimum order quantity	20 pc
Sales key	BF68
Product key	AF7DFX
GTIN	4055626038001
Weight per piece (including packing)	3.18 g
Weight per piece (excluding packing)	3.2 g
Customs tariff number	39269097
Country of origin	DE

# MG-INC-M16-S67L-PTES-LG - Membrane screw connection



1415186

<https://www.phoenixcontact.com/us/products/1415186>

## Technical data

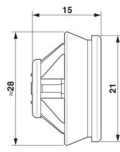
### Mounting

Assembly note	for 0.8 mm ... 3.5 mm wall thickness, for 16 mm ... 16.7 mm bore hole
---------------	---

### Product properties

Product type	Cable screw gland
Application	Standard
Manufacturer	WISKA
Manufacturer Designation	CLIXX 16
Shielded	no

### Dimensions

Dimensional drawing	
Length	15 mm
Length of the connecting thread	8 mm
Length without connecting thread	7 mm
Diameter	16 mm
Connecting thread diameter	16 mm
Hole diameter	16 mm ... 16.7 mm
Hexagon angular dimension	32 mm
Thread type connection side	M16

### Material specifications

Color	light gray (RAL 7035)
Seal material	TPE
Material for screw connection	Polypropylene

### Cable/line

External cable diameter	4 mm ... 10 mm
-------------------------	----------------

### Environmental and real-life conditions

#### Ambient conditions

Degree of protection	IP66 IP67
Ambient temperature (operation)	-40 °C ... 65 °C

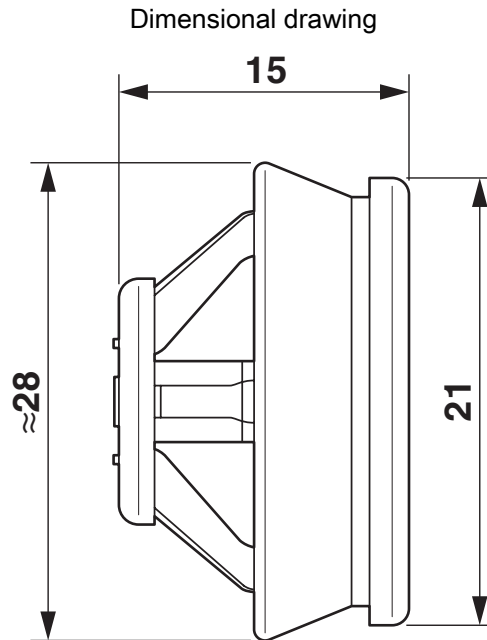
# MG-INC-M16-S67L-PTES-LG - Membrane screw connection



1415186

<https://www.phoenixcontact.com/us/products/1415186>

## Drawings



# MG-INC-M16-S67L-PTES-LG - Membrane screw connection



1415186

<https://www.phoenixcontact.com/us/products/1415186>

## Classifications

### ECLASS

ECLASS-13.0	27140890
ECLASS-15.0	27140801

### ETIM

ETIM 10.0	EC000441
-----------	----------

### UNSPSC

UNSPSC 21.0	39121300
-------------	----------

# MG-INC-M16-S67L-PTES-LG - Membrane screw connection



1415186

<https://www.phoenixcontact.com/us/products/1415186>

## Environmental product compliance

### EU RoHS

Fulfills EU RoHS substance requirements	Yes, No exemptions
---	--------------------

### China RoHS

Environment friendly use period (EFUP)	EFUP-E
	No hazardous substances above the limits

### EU REACH SVHC

REACH candidate substance (CAS No.)	No substance above 0.1 wt%
-------------------------------------	----------------------------

### EF3.1 Climate Change

CO2e kg	0.031 kg CO2e
---------	---------------

Phoenix Contact 2026 © - all rights reserved  
<https://www.phoenixcontact.com>

Phoenix Contact USA  
586 Fulling Mill Road  
Middletown, PA 17057, United States  
(+717) 944-1300  
[info@phoenixcon.com](mailto:info@phoenixcon.com)