

G-INB-M40-M68N-NEPDS-S - Cable gland



1415185

<https://www.phoenixcontact.com/us/products/1415185>

Please be informed that the data shown in this PDF document is generated from our online catalog. Please find the complete data in the user documentation. Our general terms of use for downloads are valid.



Cable gland, material for screw connection: Brass, nickel-plated, application: Standard, external cable diameter 16 mm ... 28 mm, shielding: no, connecting thread: M40 x 1.5, color: silver-colored, with bend protection sleeve, with O-ring

Your advantages

- Weatherproof sealing material
- Halogen-free

Commercial data

Item number	1415185
Packing unit	1 pc
Minimum order quantity	1 pc
Sales key	BF68
Product key	AF7DEX
GTIN	4055626038162
Weight per piece (including packing)	702.2 g
Weight per piece (excluding packing)	680.4 g
Customs tariff number	74198090
Country of origin	DE

G-INB-M40-M68N-NEPDS-S - Cable gland

1415185

<https://www.phoenixcontact.com/us/products/1415185>

Technical data

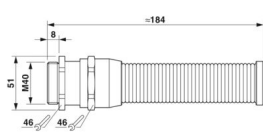
Product properties

Product type	Cable screw gland
Application	Standard
No. of conductors	1
Manufacturer	WISKA
Manufacturer Designation	EMSKVS 40
Shielded	no
Execution of the strain relief	A

Characteristics

Category of shock impact	6
Design, Strain relief	A

Dimensions

Dimensional drawing	
Length	184 mm
Length of the connecting thread	8 mm
Hole diameter	40.1 mm ... 40.3 mm
Wrench size, union nut	46 mm
Wrench size, support	46 mm
Hexagon angular dimension	51 mm
Thread type connection side	M40 x 1.5
Thread pitch	1.5 mm

Connection data

Tightening torque	20 Nm (Union nut: EN 62444)
	20 Nm (Support: EN 62444)

Material specifications

Color	brass color
Material	PA (Cable gland insert, halogen-free)
Seal material	EPDM
	EPDM
Material for screw connection	Brass, nickel-plated

Cable/line

External cable diameter Cable 1	16 mm ... 28 mm
---------------------------------	-----------------

G-INB-M40-M68N-NEPDS-S - Cable gland



1415185

<https://www.phoenixcontact.com/us/products/1415185>

External cable diameter	17.4 mm ... 26.4 mm (for UL 514 B)
Halogen-free	yes

Environmental and real-life conditions

Ambient conditions

Degree of protection	IP68 (5 bar / 0.5 h)
	IP69 (DIN EN 60529 / IEC 60529)
Ambient temperature (operation)	-40 °C ... 100 °C (static)

G-INB-M40-M68N-NEPDS-S - Cable gland

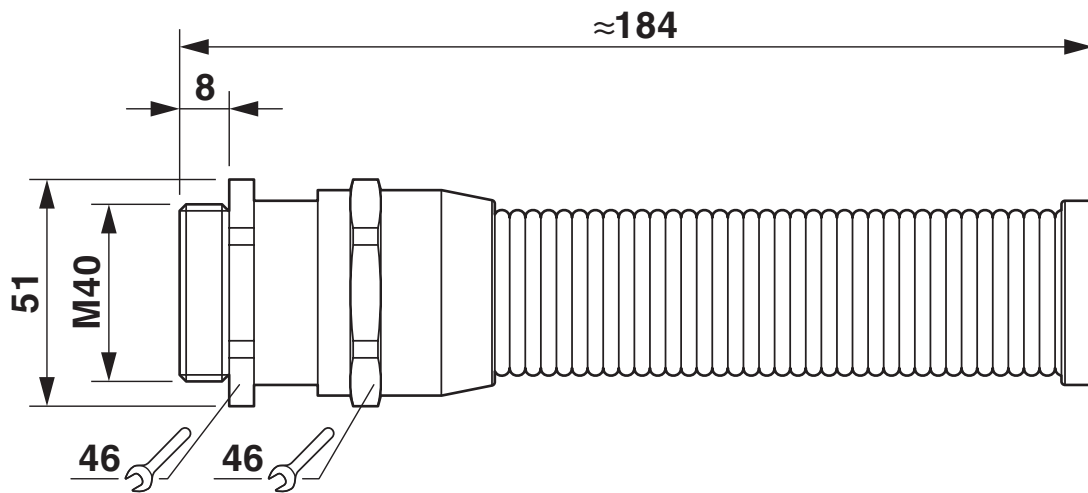


1415185

<https://www.phoenixcontact.com/us/products/1415185>

Drawings

Dimensional drawing



G-INB-M40-M68N-NEPDS-S - Cable gland



1415185

<https://www.phoenixcontact.com/us/products/1415185>

Approvals

To download certificates, visit the product detail page: <https://www.phoenixcontact.com/us/products/1415185>



cUL Recognized

Approval ID: E179850



UL Recognized

Approval ID: E179850



GOST-R

Approval ID: POCC DE.A*98.H12052

G-INB-M40-M68N-NEPDS-S - Cable gland



1415185

<https://www.phoenixcontact.com/us/products/1415185>

Classifications

ECLASS

ECLASS-13.0	27140801
ECLASS-15.0	27140801

ETIM

ETIM 10.0	EC000441
-----------	----------

UNSPSC

UNSPSC 21.0	39121300
-------------	----------

G-INB-M40-M68N-NEPDS-S - Cable gland



1415185

<https://www.phoenixcontact.com/us/products/1415185>

Environmental product compliance

EU RoHS

Fulfills EU RoHS substance requirements	Yes
Exemption	6(c)

China RoHS

Environment friendly use period (EFUP)	EFUP-50
	An article-related China RoHS declaration table can be found in the download area for the respective article under "Manufacturer declaration". For all articles with EFUP-E, no China RoHS declaration table issued and required.

EU REACH SVHC

REACH candidate substance (CAS No.)	Lead(CAS: 7439-92-1)
SCIP	47e68890-a6e1-4f1c-bc0d-9f50acace49e

EF3.1 Climate Change

CO2e kg	4.979 kg CO2e
---------	---------------

Phoenix Contact 2026 © - all rights reserved
<https://www.phoenixcontact.com>

Phoenix Contact USA
586 Fulling Mill Road
Middletown, PA 17057, United States
(+717) 944-1300
info@phoenixcon.com