

# G-INB-M32-M68N-NEPDS-S - Cable gland



1415184

<https://www.phoenixcontact.com/us/products/1415184>

Please be informed that the data shown in this PDF document is generated from our online catalog. Please find the complete data in the user documentation. Our general terms of use for downloads are valid.



Cable gland, material for screw connection: Brass, nickel-plated, application: Standard, external cable diameter 13 mm ... 21 mm, shielding: no, connecting thread: M32 x 1.5, color: silver-colored, with bend protection sleeve, with O-ring

## Your advantages

- Weatherproof sealing material
- Halogen-free

## Commercial data

Item number	1415184
Packing unit	1 pc
Minimum order quantity	1 pc
Sales key	BF68
Product key	AF7DEX
GTIN	4055626038155
Weight per piece (including packing)	372.4 g
Weight per piece (excluding packing)	372.4 g
Customs tariff number	74198090
Country of origin	DE

# G-INB-M32-M68N-NEPDS-S - Cable gland



1415184

<https://www.phoenixcontact.com/us/products/1415184>

## Technical data

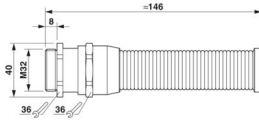
### Product properties

Product type	Cable screw gland
Application	Standard
No. of conductors	1
Manufacturer	WISKA
Manufacturer Designation	EMSKVS 32
Shielded	no
Execution of the strain relief	A

### Characteristics

Category of shock impact	6
Design, Strain relief	A

### Dimensions

Dimensional drawing	
Length	146 mm
Length of the connecting thread	8 mm
Hole diameter	32.1 mm ... 32.3 mm
Wrench size, union nut	36 mm
Wrench size, support	36 mm
Hexagon angular dimension	40 mm
Thread type connection side	M32 x 1.5
Thread pitch	1.5 mm

### Connection data

Tightening torque	20 Nm (Union nut: EN 62444)
	20 Nm (Support: EN 62444)

### Material specifications

Color	brass color
Material	PA (Cable gland insert, halogen-free)
Seal material	EPDM
	EPDM
Material for screw connection	Brass, nickel-plated

### Cable/line

External cable diameter Cable 1	13 mm ... 21 mm
---------------------------------	-----------------

# G-INB-M32-M68N-NEPDS-S - Cable gland



1415184

<https://www.phoenixcontact.com/us/products/1415184>

External cable diameter	14.6 mm ... 19.5 mm (for UL 514 B)
Halogen-free	yes

## Environmental and real-life conditions

### Ambient conditions

Degree of protection	IP68 (5 bar / 0.5 h)
	IP69 (DIN EN 60529 / IEC 60529)
Ambient temperature (operation)	-40 °C ... 100 °C (static)

# G-INB-M32-M68N-NEPDS-S - Cable gland

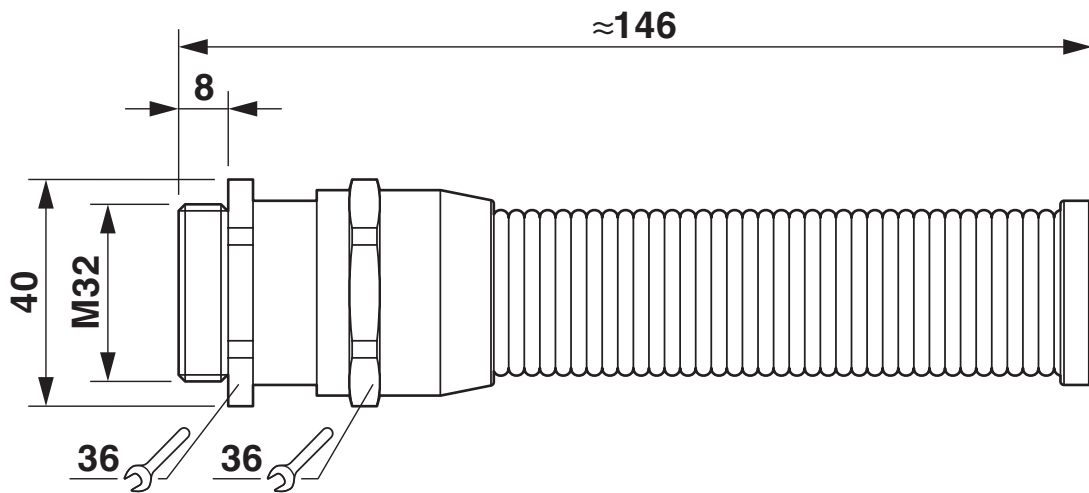


1415184

<https://www.phoenixcontact.com/us/products/1415184>

## Drawings

Dimensional drawing



# G-INB-M32-M68N-NEPDS-S - Cable gland



1415184

<https://www.phoenixcontact.com/us/products/1415184>

## Approvals

To download certificates, visit the product detail page: <https://www.phoenixcontact.com/us/products/1415184>



**cUL Recognized**

Approval ID: E179850



**UL Recognized**

Approval ID: E179850



**GOST-R**

Approval ID: POCC DE.A\*98.H12052

# G-INB-M32-M68N-NEPDS-S - Cable gland



1415184

<https://www.phoenixcontact.com/us/products/1415184>

## Classifications

### ECLASS

ECLASS-13.0	27140801
ECLASS-15.0	27140801

### ETIM

ETIM 10.0	EC000441
-----------	----------

### UNSPSC

UNSPSC 21.0	39121300
-------------	----------

# G-INB-M32-M68N-NEPDS-S - Cable gland



1415184

<https://www.phoenixcontact.com/us/products/1415184>

## Environmental product compliance

### EU RoHS

Fulfills EU RoHS substance requirements	Yes
Exemption	6(c)

### China RoHS

Environment friendly use period (EFUP)	EFUP-50
	An article-related China RoHS declaration table can be found in the download area for the respective article under "Manufacturer declaration". For all articles with EFUP-E, no China RoHS declaration table issued and required.

### EU REACH SVHC

REACH candidate substance (CAS No.)	Lead(CAS: 7439-92-1)
SCIP	5191bea6-545b-41ab-9e72-9e1a7451c31b

### EF3.1 Climate Change

CO2e kg	3.15 kg CO2e
---------	--------------

Phoenix Contact 2026 © - all rights reserved  
<https://www.phoenixcontact.com>

Phoenix Contact USA  
586 Fulling Mill Road  
Middletown, PA 17057, United States  
(+717) 944-1300  
[info@phoenixcon.com](mailto:info@phoenixcon.com)