

G-INB-M20-S68N-NEPDS-S - Cable gland



1415182

<https://www.phoenixcontact.com/us/products/1415182>

Please be informed that the data shown in this PDF document is generated from our online catalog. Please find the complete data in the user documentation. Our general terms of use for downloads are valid.



Cable gland, material for screw connection: Brass, nickel-plated, application: Standard, external cable diameter 6 mm ... 13 mm, shielding: no, connecting thread: M20 x 1.5, color: silver-colored, with bend protection sleeve, with O-ring

Your advantages

- Weatherproof sealing material
- Halogen-free

Commercial data

Item number	1415182
Packing unit	5 pc
Minimum order quantity	5 pc
Sales key	BF68
Product key	AF7DEX
GTIN	4055626038131
Weight per piece (including packing)	110.32 g
Weight per piece (excluding packing)	110.32 g
Customs tariff number	74198090
Country of origin	DE

G-INB-M20-S68N-NEPDS-S - Cable gland



1415182

<https://www.phoenixcontact.com/us/products/1415182>

Technical data

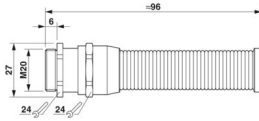
Product properties

Product type	Cable screw gland
Application	Standard
No. of conductors	1
Manufacturer	WISKA
Manufacturer Designation	EMSKVS 20
Shielded	no
Execution of the strain relief	A

Characteristics

Category of shock impact	6
Design, Strain relief	A

Dimensions

Dimensional drawing	
Length	96 mm
Length of the connecting thread	6 mm
Hole diameter	20.1 mm ... 20.2 mm
Wrench size, union nut	24 mm
Wrench size, support	24 mm
Hexagon angular dimension	27 mm
Thread type connection side	M20 x 1.5
Thread pitch	1.5 mm

Connection data

Tightening torque	8 Nm (Union nut: EN 62444)
	8 Nm (Support: EN 62444)

Material specifications

Color	brass color
Material	PA (Cable gland insert, halogen-free)
Seal material	EPDM
	EPDM
Material for screw connection	Brass, nickel-plated

Cable/line

External cable diameter Cable 1	6 mm ... 13 mm
---------------------------------	----------------

G-INB-M20-S68N-NEPDS-S - Cable gland



1415182

<https://www.phoenixcontact.com/us/products/1415182>

External cable diameter	7.5 mm ... 11.3 mm (for UL 514 B)
Halogen-free	yes

Environmental and real-life conditions

Ambient conditions

Degree of protection	IP68 (5 bar / 0.5 h)
	IP69 (DIN EN 60529 / IEC 60529)
Ambient temperature (operation)	-40 °C ... 100 °C (static)

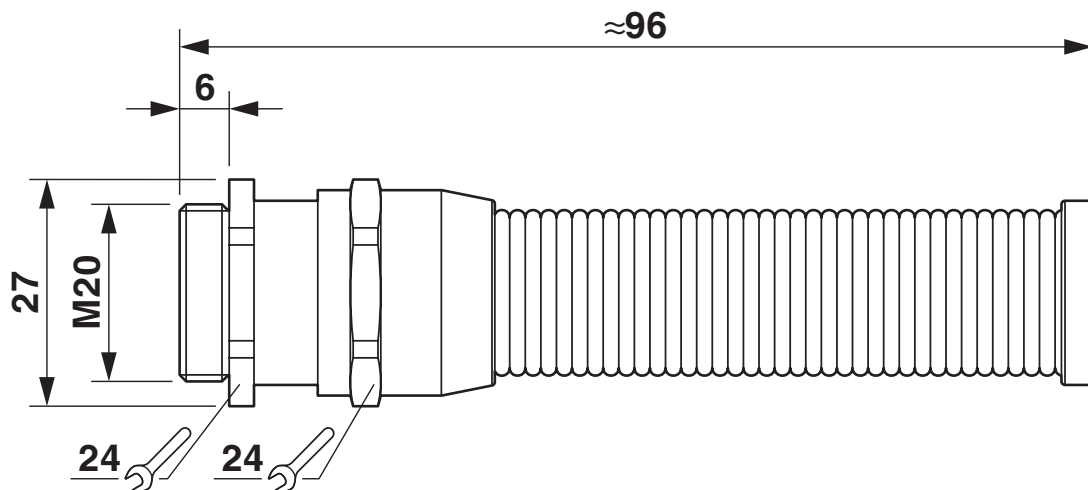
G-INB-M20-S68N-NEPDS-S - Cable gland

1415182

<https://www.phoenixcontact.com/us/products/1415182>

Drawings

Dimensional drawing



G-INB-M20-S68N-NEPDS-S - Cable gland



1415182

<https://www.phoenixcontact.com/us/products/1415182>

Approvals

To download certificates, visit the product detail page: <https://www.phoenixcontact.com/us/products/1415182>



cUL Recognized
Approval ID: E179850



UL Recognized
Approval ID: E179850



GOST-R
Approval ID: POCC DE.A*98.H12052

G-INB-M20-S68N-NEPDS-S - Cable gland



1415182

<https://www.phoenixcontact.com/us/products/1415182>

Classifications

ECLASS

ECLASS-13.0	27140801
ECLASS-15.0	27140801

ETIM

ETIM 10.0	EC000441
-----------	----------

UNSPSC

UNSPSC 21.0	39121300
-------------	----------

1415182

<https://www.phoenixcontact.com/us/products/1415182>

Environmental product compliance

EU RoHS

Fulfills EU RoHS substance requirements	Yes
Exemption	6(c)

China RoHS

Environment friendly use period (EFUP)	EFUP-50
	An article-related China RoHS declaration table can be found in the download area for the respective article under "Manufacturer declaration". For all articles with EFUP-E, no China RoHS declaration table issued and required.

EU REACH SVHC

REACH candidate substance (CAS No.)	Lead(CAS: 7439-92-1)
SCIP	9352fb94-dc19-4b6b-bc64-75107d634cf9

Phoenix Contact 2026 © - all rights reserved

<https://www.phoenixcontact.com>

Phoenix Contact USA
586 Fulling Mill Road
Middletown, PA 17057, United States
(+717) 944-1300
info@phoenixcon.com