

G-INB-M32-M68N-PEPDS-LG - Cable gland



1415176

<https://www.phoenixcontact.com/us/products/1415176>

Please be informed that the data shown in this PDF document is generated from our online catalog. Please find the complete data in the user documentation. Our general terms of use for downloads are valid.



Cable gland, material for screw connection: PA, application: Standard, external cable diameter 13 mm ... 21 mm, shielding: no, connecting thread: M32 x 1.5, color: lightgray RAL 7035, with bend protection sleeve

Your advantages

- Glow-wire test: 750°C
- Weatherproof sealing material
- Halogen-free

Commercial data

Item number	1415176
Packing unit	5 pc
Minimum order quantity	5 pc
Sales key	BF68
Product key	AF7DEX
GTIN	4055626038070
Weight per piece (including packing)	67.34 g
Weight per piece (excluding packing)	60.99 g
Customs tariff number	39269097
Country of origin	DE

G-INB-M32-M68N-PEPDS-LG - Cable gland



1415176

<https://www.phoenixcontact.com/us/products/1415176>

Technical data

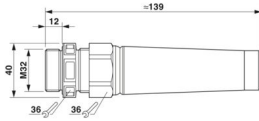
Product properties

Product type	Cable screw gland
Application	Standard
No. of conductors	1
Manufacturer	WISKA
Manufacturer Designation	ESKVS 32
Shielded	no
Execution of the strain relief	A

Characteristics

Category of shock impact	4
Design, Strain relief	A

Dimensions

Dimensional drawing	
Length	138 mm
Length of the connecting thread	12 mm
Hole diameter	32.1 mm ... 32.3 mm
Wrench size, union nut	36 mm
Wrench size, support	36 mm
Hexagon angular dimension	40 mm
Thread type connection side	M32 x 1.5
Thread pitch	1.5 mm

Connection data

Tightening torque	6 Nm (Union nut: EN 62444)
	15 Nm (Support: EN 62444)

Material specifications

Color	light gray (RAL 7035)
Material	PA (Screw connection, halogen-free)
Seal material	EPDM
Glow wire ignition temperature GWIT according to EN 60695-2-13	750
Material for screw connection	PA

Cable/line

G-INB-M32-M68N-PEPDS-LG - Cable gland



1415176

<https://www.phoenixcontact.com/us/products/1415176>

External cable diameter Cable 1	13 mm ... 21 mm
Halogen-free	yes

Environmental and real-life conditions

Ambient conditions

Degree of protection	IP68 (5 bar / 0.5 h)
	IP69 (DIN EN 60529 / IEC 60529)
Ambient temperature (operation)	-40 °C ... 100 °C (static)

G-INB-M32-M68N-PEPDS-LG - Cable gland

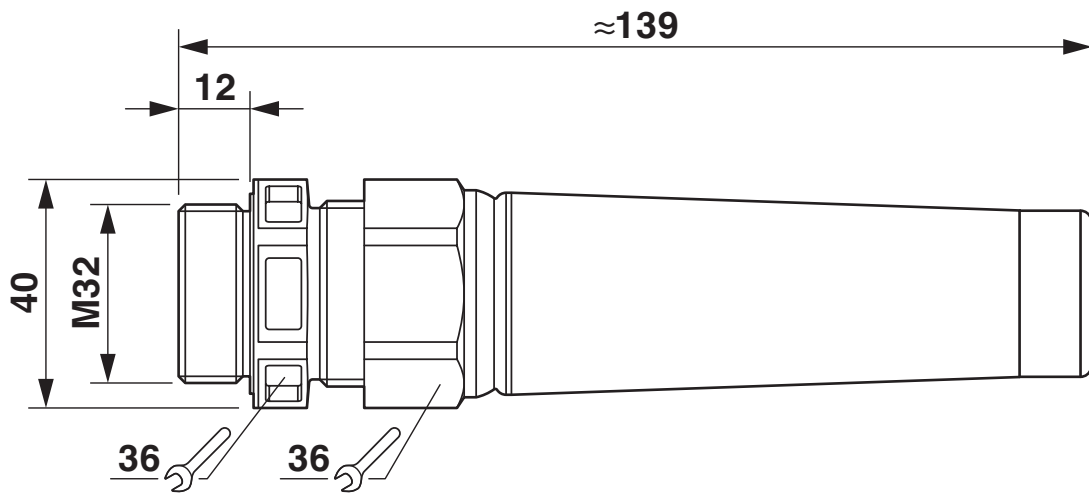


1415176

<https://www.phoenixcontact.com/us/products/1415176>

Drawings

Dimensional drawing



G-INB-M32-M68N-PEPDS-LG - Cable gland



1415176

<https://www.phoenixcontact.com/us/products/1415176>

Approvals

To download certificates, visit the product detail page: <https://www.phoenixcontact.com/us/products/1415176>



cUL Recognized

Approval ID: E179850



UL Recognized

Approval ID: E179850



GOST-R

Approval ID: POCC DE.A*98.H12052

G-INB-M32-M68N-PEPDS-LG - Cable gland



1415176

<https://www.phoenixcontact.com/us/products/1415176>

Classifications

ECLASS

ECLASS-13.0	27140801
ECLASS-15.0	27140801

ETIM

ETIM 10.0	EC000441
-----------	----------

UNSPSC

UNSPSC 21.0	39121300
-------------	----------

G-INB-M32-M68N-PEPDS-LG - Cable gland



1415176

<https://www.phoenixcontact.com/us/products/1415176>

Environmental product compliance

EU RoHS

Fulfills EU RoHS substance requirements	Yes, No exemptions
---	--------------------

China RoHS

Environment friendly use period (EFUP)	EFUP-E
	No hazardous substances above the limits

EU REACH SVHC

REACH candidate substance (CAS No.)	No substance above 0.1 wt%
-------------------------------------	----------------------------

Phoenix Contact 2026 © - all rights reserved
<https://www.phoenixcontact.com>

Phoenix Contact USA
586 Fulling Mill Road
Middletown, PA 17057, United States
(+717) 944-1300
info@phoenixcon.com