

G-ESIS-M40-M68L-NEPDS-S - Cable gland



1415129

<https://www.phoenixcontact.com/us/products/1415129>

Please be informed that the data shown in this PDF document is generated from our online catalog. Please find the complete data in the user documentation. Our general terms of use for downloads are valid.



Cable gland, material for screw connection: Brass, nickel-plated, application: Ex, external cable diameter 16 mm ... 28 mm, shielding: no, connecting thread: M40 x 1.5, color: silver-colored, with O-ring

The figure shows the G-ESIS-M25-M68N-NEPDS-S version

Your advantages

- Dust protection during storage and transport provided by a dust cap.
- Weatherproof sealing material
- Halogen-free

Commercial data

Item number	1415129
Packing unit	5 pc
Minimum order quantity	5 pc
Sales key	BF68
Product key	AF7DDX
GTIN	4055626037899
Weight per piece (including packing)	223.22 g
Weight per piece (excluding packing)	223.22 g
Customs tariff number	74198090
Country of origin	DE

G-ESIS-M40-M68L-NEPDS-S - Cable gland



1415129

<https://www.phoenixcontact.com/us/products/1415129>

Technical data

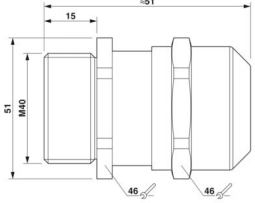
Product properties

Product type	Cable screw gland
Application	Ex
No. of conductors	1
Manufacturer	WISKA
Manufacturer Designation	EMSKE-L 40
Shielded	no

Ex data

Cable types that can be used	for unarmored cables
Suited for EX-applications	yes

Dimensions

Dimensional drawing	
Length	51 mm
Length of the connecting thread	15 mm
Hole diameter	40.1 mm ... 40.3 mm
Wrench size, union nut	46 mm
Wrench size, support	46 mm
Hexagon angular dimension	51 mm
Thread type connection side	M40 x 1.5
Thread pitch	1.5 mm

Connection data

Tightening torque	20 Nm (Support sleeve)
-------------------	------------------------

Material specifications

Color	brass color
Material Compression ring	PA
Seal material Cable seal	EPDM
Material for screw connection	Brass, nickel-plated

Cable/line

External cable diameter	16 mm ... 28 mm
-------------------------	-----------------

Environmental and real-life conditions

G-ESIS-M40-M68L-NEPDS-S - Cable gland



1415129

<https://www.phoenixcontact.com/us/products/1415129>

Ambient conditions

Degree of protection	IP66
	IP68 (5 bar / 0.5 h)
Ambient temperature (operation)	-40 °C ... 75 °C (static)

Approvals

ATEX	II 2 G/D EEx e II IP68
IECEX	Ex e IIC Gb, Ex tb IIIC Db

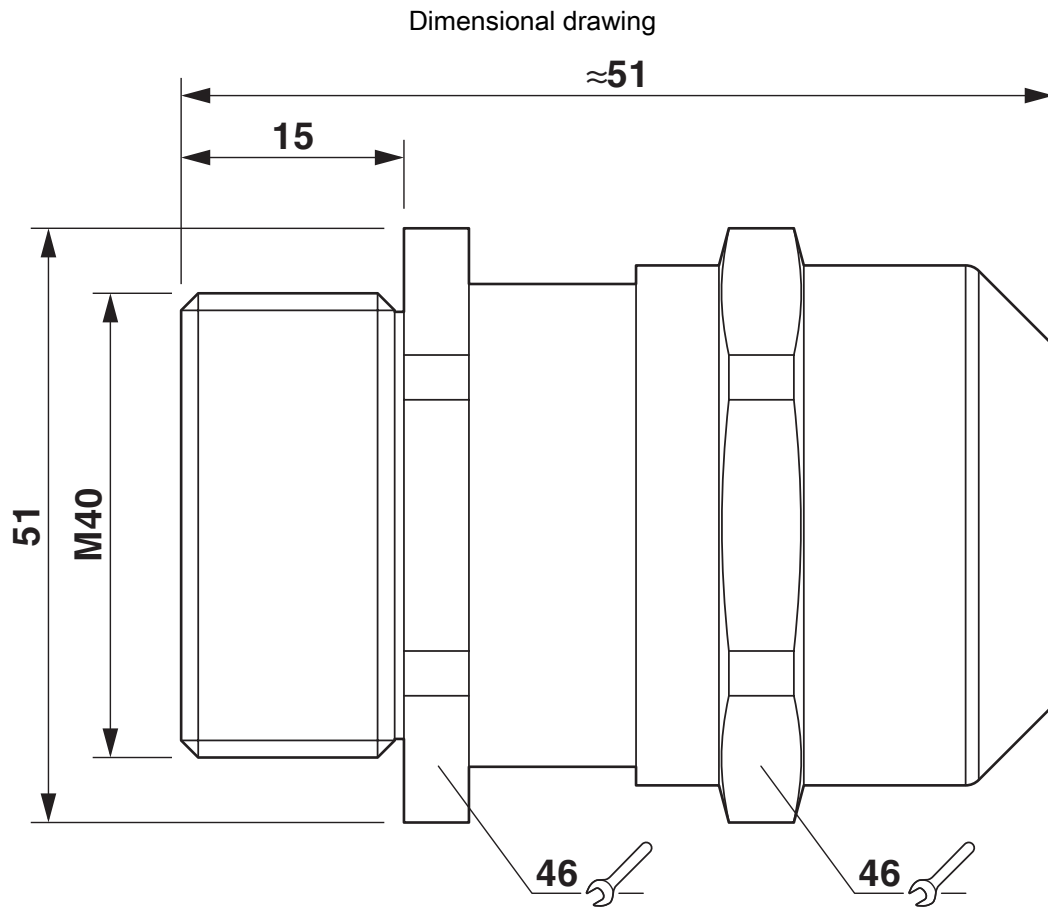
G-ESIS-M40-M68L-NEPDS-S - Cable gland



1415129

<https://www.phoenixcontact.com/us/products/1415129>

Drawings



G-ESIS-M40-M68L-NEPDS-S - Cable gland



1415129

<https://www.phoenixcontact.com/us/products/1415129>

Approvals

To download certificates, visit the product detail page: <https://www.phoenixcontact.com/us/products/1415129>



cUL Recognized
Approval ID: E179850



UL Recognized
Approval ID: E179850



EAC Ex
Approval ID: RU C-DE.HA67.B.00120



GL
Approval ID: 20259-04 HH



IECEx
Approval ID: IECEx PTB 13.0027X



ATEX
Approval ID: PTB 04 ATEX 1112 X

G-ESIS-M40-M68L-NEPDS-S - Cable gland



1415129

<https://www.phoenixcontact.com/us/products/1415129>

Classifications

ECLASS

ECLASS-13.0	27140802
ECLASS-15.0	27140802

ETIM

ETIM 10.0	EC000441
-----------	----------

UNSPSC

UNSPSC 21.0	39121300
-------------	----------

1415129

<https://www.phoenixcontact.com/us/products/1415129>

Environmental product compliance

EU RoHS

Fulfills EU RoHS substance requirements	Yes
Exemption	6(c)

China RoHS

Environment friendly use period (EFUP)	EFUP-50
	An article-related China RoHS declaration table can be found in the download area for the respective article under "Manufacturer declaration". For all articles with EFUP-E, no China RoHS declaration table issued and required.

EU REACH SVHC

REACH candidate substance (CAS No.)	Lead(CAS: 7439-92-1)
SCIP	98d8b4b5-bae3-4e8c-a15a-137acfec3f35

Phoenix Contact 2026 © - all rights reserved

<https://www.phoenixcontact.com>

Phoenix Contact USA
586 Fulling Mill Road
Middletown, PA 17057, United States
(+717) 944-1300
info@phoenixcon.com