

# G-ESIS-M32-M68L-NEPDS-S - Cable gland



1415127

<https://www.phoenixcontact.com/us/products/1415127>

Please be informed that the data shown in this PDF document is generated from our online catalog. Please find the complete data in the user documentation. Our general terms of use for downloads are valid.



Cable gland, material for screw connection: Brass, nickel-plated, application: Ex, external cable diameter 13 mm ... 21 mm, shielding: no, connecting thread: M32 x 1.5, color: silver-colored, with O-ring

## Your advantages

- Dust protection during storage and transport provided by a dust cap.
- Weatherproof sealing material
- Halogen-free

## Commercial data

Item number	1415127
Packing unit	5 pc
Minimum order quantity	5 pc
Sales key	BF68
Product key	AF7DDX
GTIN	4055626037882
Weight per piece (including packing)	120.61 g
Weight per piece (excluding packing)	117.8 g
Customs tariff number	74198090
Country of origin	DE

# G-ESIS-M32-M68L-NEPDS-S - Cable gland

1415127

<https://www.phoenixcontact.com/us/products/1415127>

## Technical data

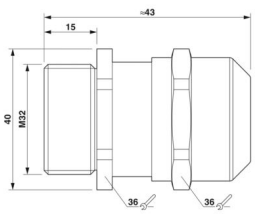
### Product properties

Product type	Cable screw gland
Application	Ex
No. of conductors	1
Manufacturer	WISKA
Manufacturer Designation	EMSKE-L 32
Shielded	no

### Ex data

Cable types that can be used	for unarmored cables
Suited for EX-applications	yes

### Dimensions

Dimensional drawing	
Length	43 mm
Length of the connecting thread	15 mm
Hole diameter	32.1 mm ... 32.3 mm
Wrench size, union nut	36 mm
Wrench size, support	36 mm
Hexagon angular dimension	40 mm
Thread type connection side	M32 x 1.5
Thread pitch	1.5 mm

### Connection data

Tightening torque	20 Nm (Support sleeve)
-------------------	------------------------

### Material specifications

Color	brass color
Material Compression ring	PA
Seal material Cable seal	EPDM
Material for screw connection	Brass, nickel-plated

### Cable/line

External cable diameter	13 mm ... 21 mm
-------------------------	-----------------

### Environmental and real-life conditions

# G-ESIS-M32-M68L-NEPDS-S - Cable gland



1415127

<https://www.phoenixcontact.com/us/products/1415127>

## Ambient conditions

Degree of protection	IP66
	IP68 (5 bar / 0.5 h)
Ambient temperature (operation)	-40 °C ... 75 °C (static)

## Approvals

ATEX	II 2 G/D EEx e II IP68
IECEX	Ex e IIC Gb, Ex tb IIIC Db

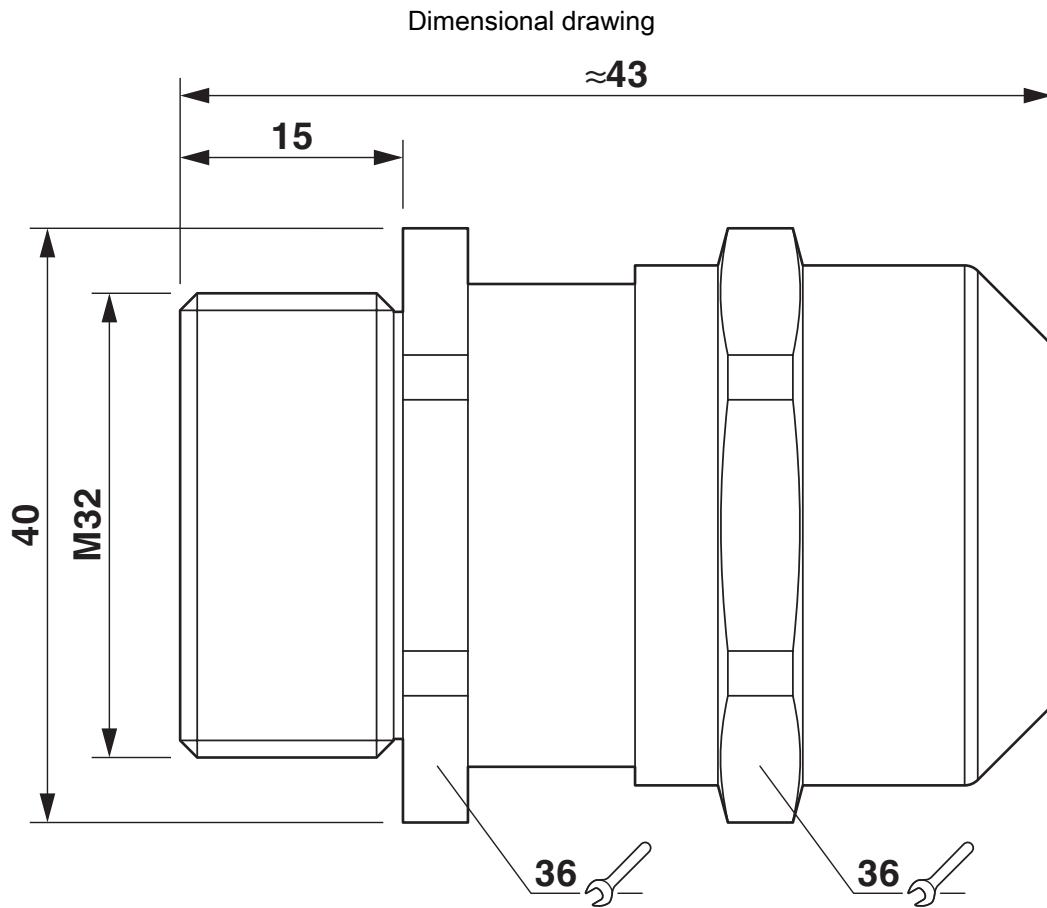
# G-ESIS-M32-M68L-NEPDS-S - Cable gland



1415127

<https://www.phoenixcontact.com/us/products/1415127>

## Drawings



# G-ESIS-M32-M68L-NEPDS-S - Cable gland



1415127

<https://www.phoenixcontact.com/us/products/1415127>

## Approvals

To download certificates, visit the product detail page: <https://www.phoenixcontact.com/us/products/1415127>



**cUL Recognized**  
Approval ID: E179850



**UL Recognized**  
Approval ID: E179850



**EAC Ex**  
Approval ID: RU C-DE.HA67.B.00120



**GL**  
Approval ID: 20259-04 HH



**IECEx**  
Approval ID: IECEx PTB 13.0027X



**ATEX**  
Approval ID: PTB 04 ATEX 1112 X

# G-ESIS-M32-M68L-NEPDS-S - Cable gland



1415127

<https://www.phoenixcontact.com/us/products/1415127>

## Classifications

### ECLASS

ECLASS-13.0	27140802
ECLASS-15.0	27140802

### ETIM

ETIM 10.0	EC000441
-----------	----------

### UNSPSC

UNSPSC 21.0	39121300
-------------	----------

1415127

<https://www.phoenixcontact.com/us/products/1415127>

## Environmental product compliance

### EU RoHS

Fulfills EU RoHS substance requirements	Yes
Exemption	6(c)

### China RoHS

Environment friendly use period (EFUP)	EFUP-50
	An article-related China RoHS declaration table can be found in the download area for the respective article under "Manufacturer declaration". For all articles with EFUP-E, no China RoHS declaration table issued and required.

### EU REACH SVHC

REACH candidate substance (CAS No.)	Lead(CAS: 7439-92-1)
SCIP	70ba180b-612c-4372-9ec0-d4fd5cef9a43

Phoenix Contact 2026 © - all rights reserved

<https://www.phoenixcontact.com>

Phoenix Contact USA  
586 Fulling Mill Road  
Middletown, PA 17057, United States  
(+717) 944-1300  
[info@phoenixcon.com](mailto:info@phoenixcon.com)