

# G-ESIS-M63-L68L-PEPDS-BL - Cable gland



1415122

<https://www.phoenixcontact.com/us/products/1415122>

Please be informed that the data shown in this PDF document is generated from our online catalog. Please find the complete data in the user documentation. Our general terms of use for downloads are valid.



Cable gland, material for screw connection: PA, application: Ex, external cable diameter 34 mm .  
.. 48 mm, shielding: no, connecting thread: M63 x 1.5, color: black/blue, with flat gasket

## Product description

Cable gland, with flat gasket

## Your advantages

- Glow-wire test: 750°C
- Weatherproof sealing material
- Halogen-free

## Commercial data

Item number	1415122
Packing unit	1 pc
Minimum order quantity	1 pc
Sales key	BF68
Product key	AF7DDX
GTIN	4055626037837
Weight per piece (including packing)	169.1 g
Weight per piece (excluding packing)	22.22 g
Customs tariff number	39269097
Country of origin	DE

# G-ESIS-M63-L68L-PEPDS-BL - Cable gland



1415122

<https://www.phoenixcontact.com/us/products/1415122>

## Technical data

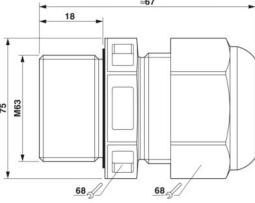
### Product properties

Product type	Cable screw gland
Application	Ex
No. of conductors	1
Manufacturer	WISKA
Manufacturer Designation	ESKE/1-L-i 63
Shielded	no

### Ex data

Cable types that can be used	for unarmored cables
Suited for EX-applications	yes

### Dimensions

Dimensional drawing	
Length	67 mm
Length of the connecting thread	18 mm
Hole diameter	63.1 mm ... 63.3 mm
Wrench size, union nut	68 mm
Wrench size, support	68 mm
Hexagon angular dimension	75 mm
Thread type connection side	M63 x 1.5
Thread pitch	1.5 mm

### Connection data

Tightening torque	17 Nm (Support sleeve)
-------------------	------------------------

### Material specifications

Material Screw connection	PA (Screw connection, halogen-free)
Seal material Cable seal	EPDM
Glow wire ignition temperature GWIT according to EN 60695-2-13	750
Material for screw connection	PA

### Cable/line

External cable diameter	34 mm ... 48 mm
Halogen-free	yes

# G-ESIS-M63-L68L-PEPDS-BL - Cable gland



1415122

<https://www.phoenixcontact.com/us/products/1415122>

## Environmental and real-life conditions

### Ambient conditions

Degree of protection	IP66
	IP68 (5 bar / 0.5 h)
Ambient temperature (operation)	-40 °C ... 75 °C (static)

## Approvals

ATEX	II 2 G Ex e IIC Gb, II 2 D Ex tb IIIC Db
IECEX	Ex e IIC Gb, Ex tb IIIC Db

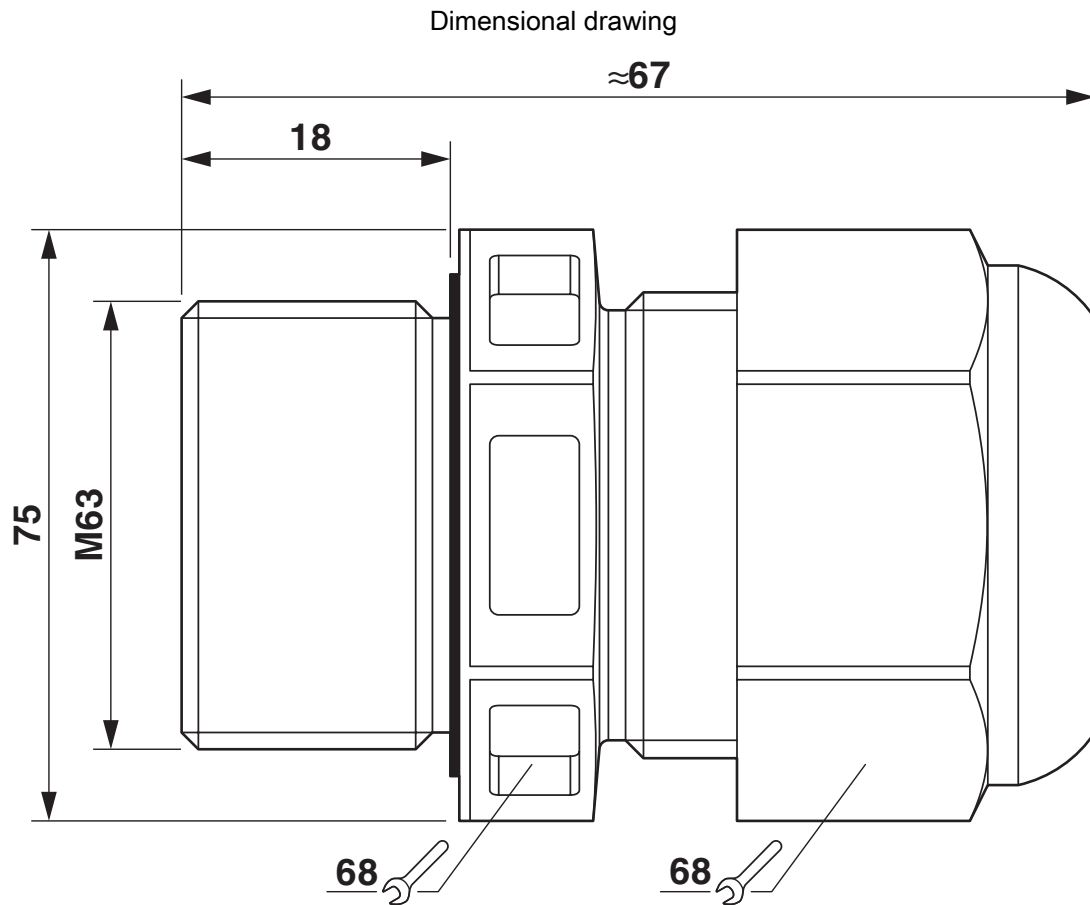
# G-ESIS-M63-L68L-PEPDS-BL - Cable gland



1415122

<https://www.phoenixcontact.com/us/products/1415122>

## Drawings



Dimensional drawing

# G-ESIS-M63-L68L-PEPDS-BL - Cable gland



1415122

<https://www.phoenixcontact.com/us/products/1415122>

## Classifications

### ECLASS

ECLASS-13.0	27140802
ECLASS-15.0	27140802

### ETIM

ETIM 9.0	EC000441
----------	----------

### UNSPSC

UNSPSC 21.0	39121300
-------------	----------

# G-ESIS-M63-L68L-PEPDS-BL - Cable gland



1415122

<https://www.phoenixcontact.com/us/products/1415122>

## Environmental product compliance

### EU RoHS

Fulfills EU RoHS substance requirements	Yes, No exemptions
---	--------------------

### China RoHS

Environment friendly use period (EFUP)	EFUP-E
	No hazardous substances above the limits

### EU REACH SVHC

REACH candidate substance (CAS No.)	No substance above 0.1 wt%
-------------------------------------	----------------------------

Phoenix Contact 2026 © - all rights reserved  
<https://www.phoenixcontact.com>

Phoenix Contact USA  
586 Fulling Mill Road  
Middletown, PA 17057, United States  
(+717) 944-1300  
[info@phoenixcon.com](mailto:info@phoenixcon.com)