

G-ESIS-M32-M68L-PEPDS-BL - Cable gland



1415119

<https://www.phoenixcontact.com/us/products/1415119>

Please be informed that the data shown in this PDF document is generated from our online catalog. Please find the complete data in the user documentation. Our general terms of use for downloads are valid.



Cable gland, material for screw connection: PA, application: Ex, external cable diameter 13 mm .
.. 21 mm, shielding: no, connecting thread: M32 x 1.5, color: black/blue, with flat gasket

Product description

Cable gland, with flat gasket

Your advantages

- Glow-wire test: 750°C
- Weatherproof sealing material
- Halogen-free

Commercial data

| | |
|--------------------------------------|---------------|
| Item number | 1415119 |
| Packing unit | 5 pc |
| Minimum order quantity | 5 pc |
| Sales key | BF68 |
| Product key | AF7DDX |
| GTIN | 4055626037806 |
| Weight per piece (including packing) | 41.69 g |
| Weight per piece (excluding packing) | 38.46 g |
| Customs tariff number | 39269097 |
| Country of origin | DE |

G-ESIS-M32-M68L-PEPDS-BL - Cable gland



1415119

<https://www.phoenixcontact.com/us/products/1415119>

Technical data

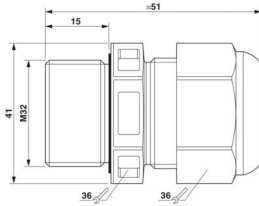
Product properties

| | |
|--------------------------|-------------------|
| Product type | Cable screw gland |
| Application | Ex |
| No. of conductors | 1 |
| Manufacturer | WISKA |
| Manufacturer Designation | ESKE/1-L-i 32 |
| Shielded | no |

Ex data

| | |
|------------------------------|----------------------|
| Cable types that can be used | for unarmored cables |
| Suited for EX-applications | yes |

Dimensions

| | |
|---------------------------------|--|
| Dimensional drawing |  |
| Length | 45 mm |
| Length of the connecting thread | 15 mm |
| Hole diameter | 32.1 mm ... 32.3 mm |
| Wrench size, union nut | 36 mm |
| Wrench size, support | 36 mm |
| Hexagon angular dimension | 41 mm |
| Thread type connection side | M32 x 1.5 |
| Thread pitch | 1.5 mm |

Connection data

| | |
|-------------------|-------------------------|
| Tightening torque | 4.5 Nm (Support sleeve) |
|-------------------|-------------------------|

Material specifications

| | |
|--|-------------------------------------|
| Material Screw connection | PA (Screw connection, halogen-free) |
| Seal material Cable seal | EPDM |
| Glow wire ignition temperature GWIT according to EN 60695-2-13 | 750 |
| Material for screw connection | PA |

Cable/line

| | |
|-------------------------|-----------------|
| External cable diameter | 13 mm ... 21 mm |
| Halogen-free | yes |

1415119

<https://www.phoenixcontact.com/us/products/1415119>

Environmental and real-life conditions

Ambient conditions

| | |
|---------------------------------|---------------------------|
| Degree of protection | IP66 |
| | IP68 (5 bar / 0.5 h) |
| Ambient temperature (operation) | -40 °C ... 75 °C (static) |

Approvals

| | |
|-------|--|
| ATEX | II 2 G Ex e IIC Gb, II 2 D Ex tb IIIC Db |
| IECEX | Ex e IIC Gb, Ex tb IIIC Db |

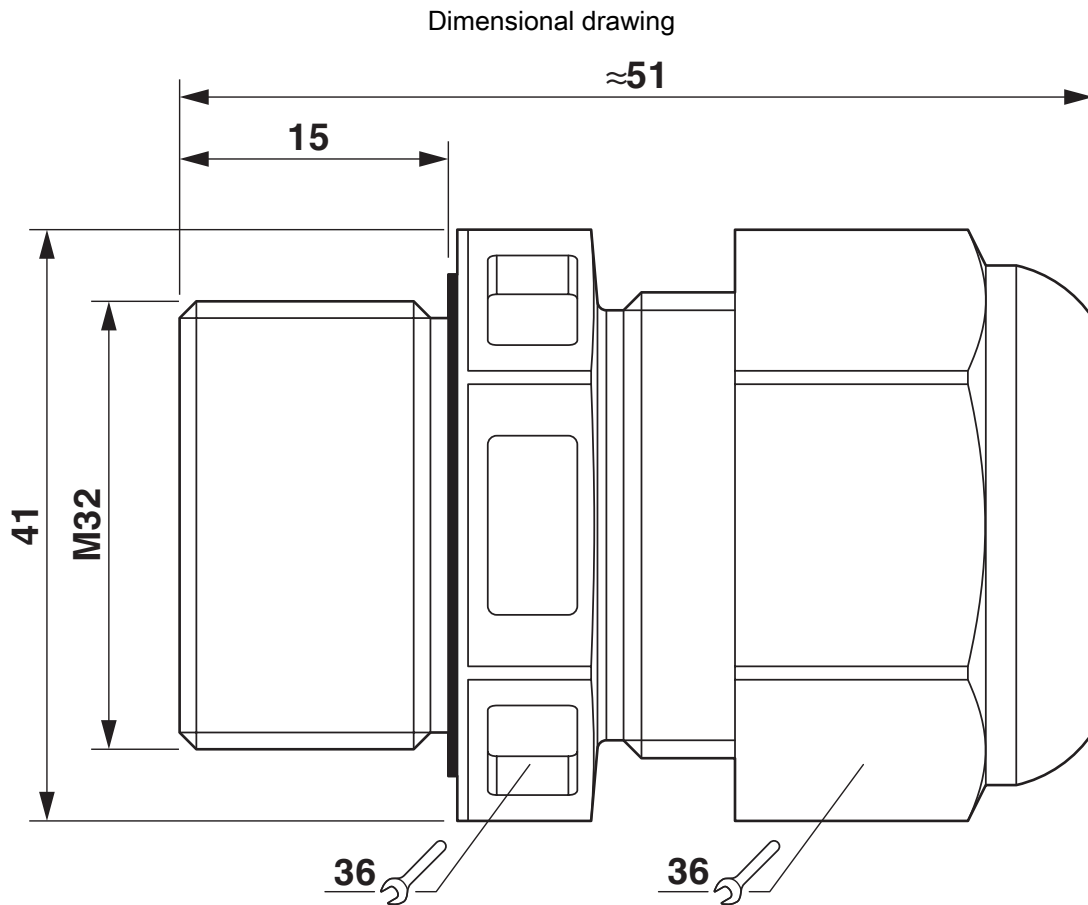
G-ESIS-M32-M68L-PEPDS-BL - Cable gland



1415119

<https://www.phoenixcontact.com/us/products/1415119>

Drawings



Dimensional drawing

1415119

<https://www.phoenixcontact.com/us/products/1415119>

Approvals

To download certificates, visit the product detail page: <https://www.phoenixcontact.com/us/products/1415119>



EAC Ex

Approval ID: RU C-DE.HA67.B.00120



IECEX

Approval ID: IECEX PTB 13.0034X



ATEX

Approval ID: PTB 13 ATEX 1015 X



DNV GL-EX

Approval ID: TAE00002SV

G-ESIS-M32-M68L-PEPDS-BL - Cable gland



1415119

<https://www.phoenixcontact.com/us/products/1415119>

Classifications

ECLASS

| | |
|-------------|----------|
| ECLASS-13.0 | 27140802 |
| ECLASS-15.0 | 27140802 |

ETIM

| | |
|-----------|----------|
| ETIM 10.0 | EC000441 |
|-----------|----------|

UNSPSC

| | |
|-------------|----------|
| UNSPSC 21.0 | 39121300 |
|-------------|----------|

G-ESIS-M32-M68L-PEPDS-BL - Cable gland



1415119

<https://www.phoenixcontact.com/us/products/1415119>

Environmental product compliance

EU RoHS

| | |
|---|--------------------|
| Fulfills EU RoHS substance requirements | Yes, No exemptions |
|---|--------------------|

China RoHS

| | |
|--|--|
| Environment friendly use period (EFUP) | EFUP-E |
| | No hazardous substances above the limits |

EU REACH SVHC

| | |
|-------------------------------------|----------------------------|
| REACH candidate substance (CAS No.) | No substance above 0.1 wt% |
|-------------------------------------|----------------------------|

Phoenix Contact 2026 © - all rights reserved
<https://www.phoenixcontact.com>

Phoenix Contact USA
586 Fulling Mill Road
Middletown, PA 17057, United States
(+717) 944-1300
info@phoenixcon.com