

G-ESIS-M32-M68L-PEPDS-BK - Cable gland



1415110

<https://www.phoenixcontact.com/us/products/1415110>

Please be informed that the data shown in this PDF document is generated from our online catalog. Please find the complete data in the user documentation. Our general terms of use for downloads are valid.



Cable gland, material for screw connection: PA, application: Ex, external cable diameter 13 mm .
.. 21 mm, shielding: no, connecting thread: M32 x 1.5, color: jet black, with flat gasket

Product description

Cable gland, with flat gasket

Your advantages

- Glow-wire test: 750°C
- Weatherproof sealing material
- Halogen-free

Commercial data

Item number	1415110
Packing unit	5 pc
Minimum order quantity	5 pc
Sales key	BF68
Product key	AF7DDX
GTIN	4055626037721
Weight per piece (including packing)	40.4 g
Weight per piece (excluding packing)	38.69 g
Customs tariff number	39269097
Country of origin	DE

G-ESIS-M32-M68L-PEPDS-BK - Cable gland



1415110

<https://www.phoenixcontact.com/us/products/1415110>

Technical data

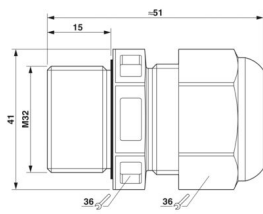
Product properties

Product type	Cable screw gland
Application	Ex
No. of conductors	1
Manufacturer	WISKA
Manufacturer Designation	ESKE/1-L-e 32
Shielded	no

Ex data

Cable types that can be used	for unarmored cables
Suited for EX-applications	yes

Dimensions

Dimensional drawing	
Length	51 mm
Length of the connecting thread	15 mm
Hole diameter	32.1 mm ... 32.3 mm
Wrench size, union nut	36 mm
Wrench size, support	36 mm
Hexagon angular dimension	41 mm
Thread type connection side	M32 x 1.5
Thread pitch	1.5 mm

Connection data

Tightening torque	4.5 Nm (Support sleeve)
-------------------	-------------------------

Material specifications

Color	black (RAL 9005)
Material Screw connection	PA (Screw connection, halogen-free)
Seal material Cable seal	EPDM
Glow wire ignition temperature GWIT according to EN 60695-2-13	750
Material for screw connection	PA

Cable/line

External cable diameter	13 mm ... 21 mm
-------------------------	-----------------

G-ESIS-M32-M68L-PEPDS-BK - Cable gland



1415110

<https://www.phoenixcontact.com/us/products/1415110>

Halogen-free	yes
--------------	-----

Environmental and real-life conditions

Ambient conditions

Degree of protection	IP66
	IP68 (5 bar / 0.5 h)
Ambient temperature (operation)	-40 °C ... 75 °C (static)

Approvals

ATEX	II 2 G Ex e IIC Gb, II 2 D Ex tb IIIC Db
IECEX	Ex e IIC Gb, Ex tb IIIC Db

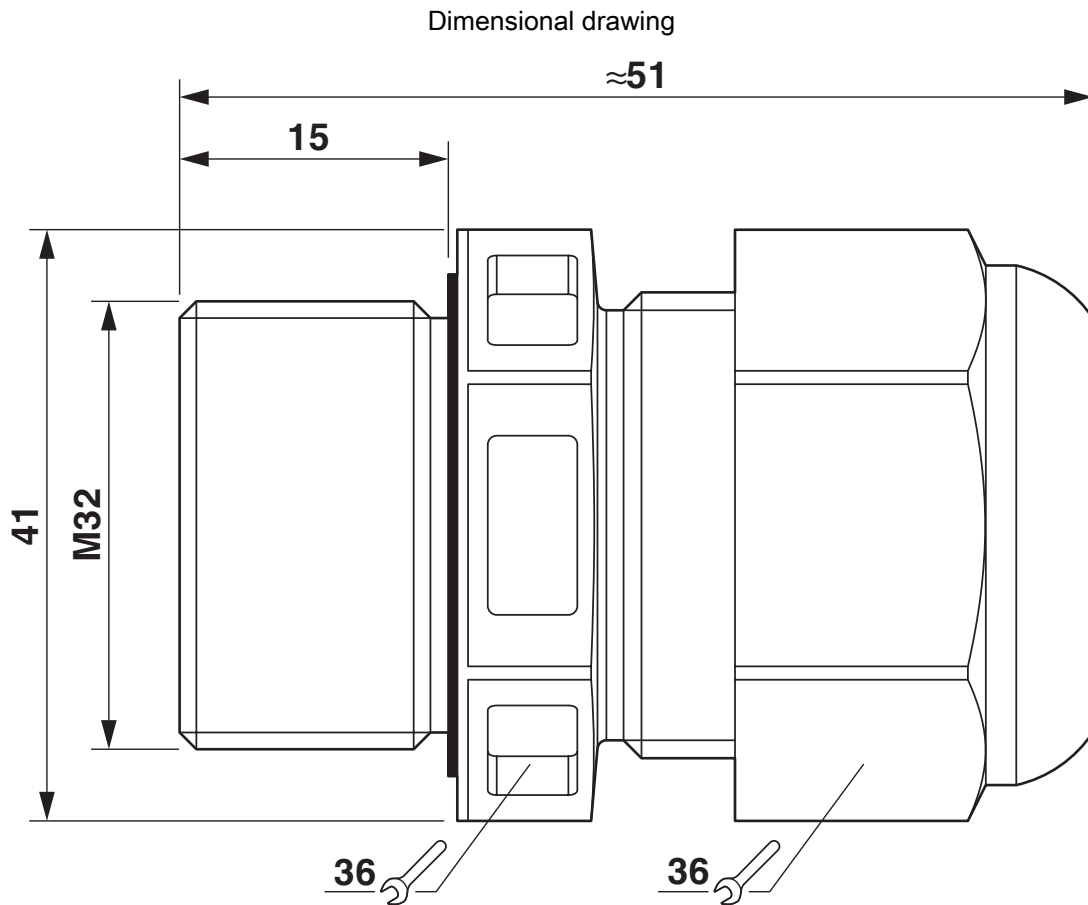
G-ESIS-M32-M68L-PEPDS-BK - Cable gland



1415110

<https://www.phoenixcontact.com/us/products/1415110>

Drawings



Dimensional drawing

G-ESIS-M32-M68L-PEPDS-BK - Cable gland



1415110

<https://www.phoenixcontact.com/us/products/1415110>

Approvals

To download certificates, visit the product detail page: <https://www.phoenixcontact.com/us/products/1415110>



EAC Ex

Approval ID: RU C-DE.HA67.B.00120



IECEX

Approval ID: IECEX PTB 13.0034X



ATEX

Approval ID: PTB 13 ATEX 1015 X



DNV GL-EX

Approval ID: TAE00002SV

G-ESIS-M32-M68L-PEPDS-BK - Cable gland



1415110

<https://www.phoenixcontact.com/us/products/1415110>

Classifications

ECLASS

ECLASS-13.0	27140802
ECLASS-15.0	27140802

ETIM

ETIM 10.0	EC000441
-----------	----------

UNSPSC

UNSPSC 21.0	39121300
-------------	----------

G-ESIS-M32-M68L-PEPDS-BK - Cable gland



1415110

<https://www.phoenixcontact.com/us/products/1415110>

Environmental product compliance

EU RoHS

Fulfills EU RoHS substance requirements	Yes, No exemptions
---	--------------------

China RoHS

Environment friendly use period (EFUP)	EFUP-E
	No hazardous substances above the limits

EU REACH SVHC

REACH candidate substance (CAS No.)	No substance above 0.1 wt%
-------------------------------------	----------------------------

Phoenix Contact 2026 © - all rights reserved
<https://www.phoenixcontact.com>

Phoenix Contact USA
586 Fulling Mill Road
Middletown, PA 17057, United States
(+717) 944-1300
info@phoenixcon.com