

# G-ESIS-M25-M68L-PEPDS-BK - Cable gland



1415109

<https://www.phoenixcontact.com/us/products/1415109>

Please be informed that the data shown in this PDF document is generated from our online catalog. Please find the complete data in the user documentation. Our general terms of use for downloads are valid.



Cable gland, material for screw connection: PA, application: Ex, external cable diameter 10 mm .  
.. 17 mm, shielding: no, connecting thread: M25 x 1.5, color: jet black, with flat gasket

## Product description

Cable gland, with flat gasket

## Your advantages

- Glow-wire test: 750°C
- Weatherproof sealing material
- Halogen-free

## Commercial data

|                                      |               |
|--------------------------------------|---------------|
| Item number                          | 1415109       |
| Packing unit                         | 10 pc         |
| Minimum order quantity               | 10 pc         |
| Sales key                            | BF68          |
| Product key                          | AF7DDX        |
| GTIN                                 | 4055626037714 |
| Weight per piece (including packing) | 23.06 g       |
| Weight per piece (excluding packing) | 20.4 g        |
| Customs tariff number                | 39269097      |
| Country of origin                    | DE            |

# G-ESIS-M25-M68L-PEPDS-BK - Cable gland



1415109

<https://www.phoenixcontact.com/us/products/1415109>

## Technical data

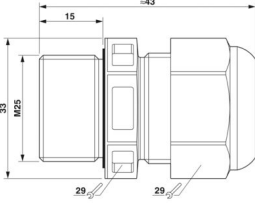
### Product properties

|                          |                   |
|--------------------------|-------------------|
| Product type             | Cable screw gland |
| Application              | Ex                |
| No. of conductors        | 1                 |
| Manufacturer             | WISKA             |
| Manufacturer Designation | ESKE/1-L-e 25     |
| Shielded                 | no                |

### Ex data

|                              |                      |
|------------------------------|----------------------|
| Cable types that can be used | for unarmored cables |
| Suited for EX-applications   | yes                  |

### Dimensions

|                                 |  |
|---------------------------------|--|
| Dimensional drawing             |  |
| Length                          | 43 mm  |
| Length of the connecting thread | 15 mm  |
| Hole diameter                   | 25.1 mm ... 25.3 mm  |
| Wrench size, union nut          | 29 mm  |
| Wrench size, support            | 29 mm  |
| Hexagon angular dimension       | 33 mm  |
| Thread type connection side     | M25 x 1.5  |
| Thread pitch                    | 1.5 mm   |

### Connection data

|                   |                       |
|-------------------|-----------------------|
| Tightening torque | 3 Nm (Support sleeve) |
|-------------------|-----------------------|

### Material specifications

|  |                                     |
|--|-------------------------------------|
| Color  | black (RAL 9005)                    |
| Material Screw connection                                      | PA (Screw connection, halogen-free) |
| Flammability rating according to UL 94                         | HB                                  |
| Seal material Cable seal                                       | EPDM                                |
| Glow wire ignition temperature GWIT according to EN 60695-2-13 | 750                                 |
| Material for screw connection                                  | PA                                  |

### Cable/line

# G-ESIS-M25-M68L-PEPDS-BK - Cable gland



1415109

<https://www.phoenixcontact.com/us/products/1415109>

|                         |                 |
|-------------------------|-----------------|
| External cable diameter | 10 mm ... 17 mm |
| Halogen-free            | yes             |

## Environmental and real-life conditions

### Ambient conditions

|                                 |                           |
|---------------------------------|---------------------------|
| Degree of protection            | IP66                      |
|                                 | IP68 (5 bar / 0.5 h)      |
| Ambient temperature (operation) | -40 °C ... 75 °C (static) |

## Approvals

|       |  |
|-------|--|
| ATEX  | II 2 G Ex e IIC Gb, II 2 D Ex tb IIIC Db |
| IECEX | Ex e IIC Gb, Ex tb IIIC Db               |

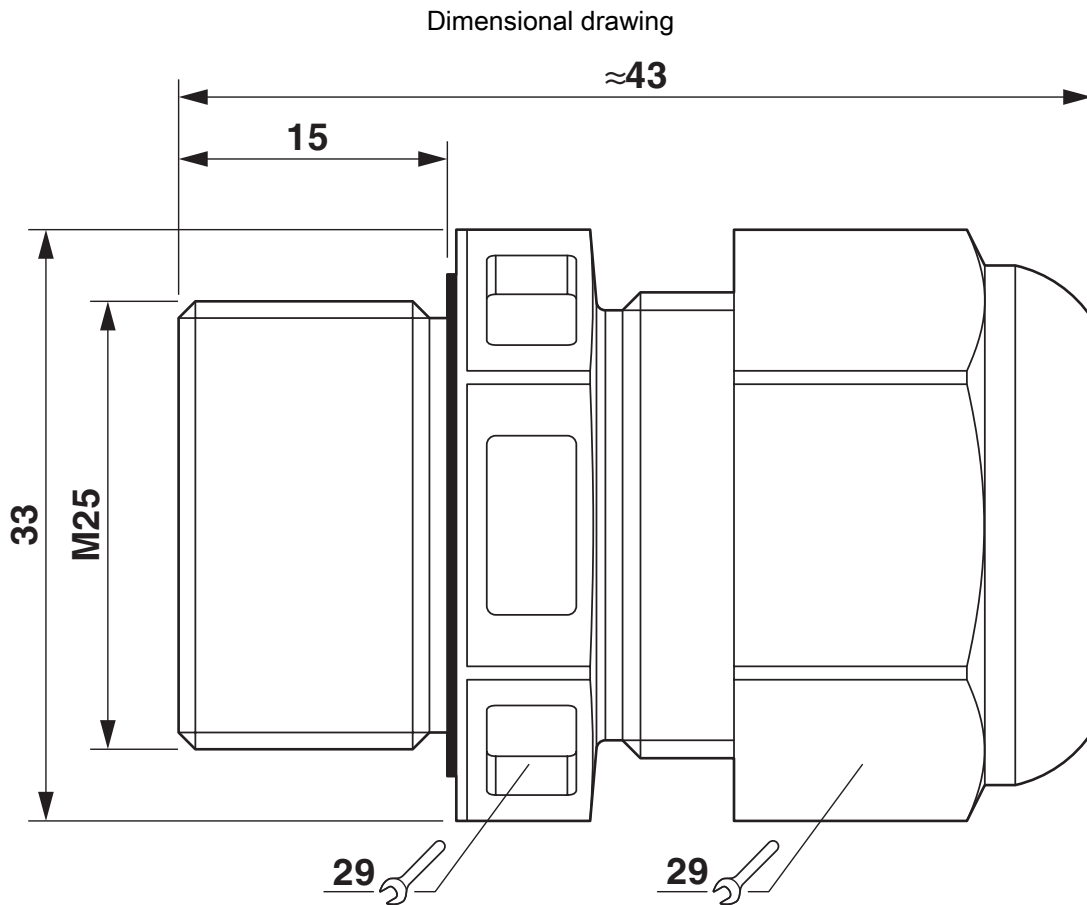
# G-ESIS-M25-M68L-PEPDS-BK - Cable gland



1415109

<https://www.phoenixcontact.com/us/products/1415109>

## Drawings



Dimensional drawing

# G-ESIS-M25-M68L-PEPDS-BK - Cable gland



1415109

<https://www.phoenixcontact.com/us/products/1415109>

## Approvals

To download certificates, visit the product detail page: <https://www.phoenixcontact.com/us/products/1415109>



**EAC Ex**

Approval ID: RU C-DE.HA67.B.00120



**IECEX**

Approval ID: IECEX PTB 13.0034X



**ATEX**

Approval ID: PTB 13 ATEX 1015 X



**DNV GL-EX**

Approval ID: TAE00002SV

# G-ESIS-M25-M68L-PEPDS-BK - Cable gland



1415109

<https://www.phoenixcontact.com/us/products/1415109>

## Classifications

### ECLASS

|             |          |
|-------------|----------|
| ECLASS-13.0 | 27140802 |
| ECLASS-15.0 | 27140802 |

### ETIM

|           |          |
|-----------|----------|
| ETIM 10.0 | EC000441 |
|-----------|----------|

### UNSPSC

|             |          |
|-------------|----------|
| UNSPSC 21.0 | 39121300 |
|-------------|----------|

# G-ESIS-M25-M68L-PEPDS-BK - Cable gland



1415109

<https://www.phoenixcontact.com/us/products/1415109>

## Environmental product compliance

### EU RoHS

|   |                    |
|---|--------------------|
| Fulfills EU RoHS substance requirements | Yes, No exemptions |
|---|--------------------|

### China RoHS

|  |  |
|--|--|
| Environment friendly use period (EFUP) | EFUP-E                                   |
|  | No hazardous substances above the limits |

### EU REACH SVHC

|                                     |                            |
|-------------------------------------|----------------------------|
| REACH candidate substance (CAS No.) | No substance above 0.1 wt% |
|-------------------------------------|----------------------------|

### EF3.1 Climate Change

|         |               |
|---------|---------------|
| CO2e kg | 0.224 kg CO2e |
|---------|---------------|

Phoenix Contact 2026 © - all rights reserved  
<https://www.phoenixcontact.com>

Phoenix Contact USA  
586 Fulling Mill Road  
Middletown, PA 17057, United States  
(+717) 944-1300  
[info@phoenixcon.com](mailto:info@phoenixcon.com)