

# G-ESIS-M20-S68L-PEPDS-BK - Cable gland



1415108

<https://www.phoenixcontact.com/us/products/1415108>

Please be informed that the data shown in this PDF document is generated from our online catalog. Please find the complete data in the user documentation. Our general terms of use for downloads are valid.



Cable gland, material for screw connection: PA, application: Ex, external cable diameter 7 mm ... 13 mm, shielding: no, connecting thread: M20 x 1.5, color: jet black, with flat gasket

## Product description

Cable gland, with flat gasket

## Your advantages

- Glow-wire test: 750°C
- Weatherproof sealing material
- Halogen-free

## Commercial data

Item number	1415108
Packing unit	10 pc
Minimum order quantity	10 pc
Sales key	BF68
Product key	AF7DDX
GTIN	4055626037707
Weight per piece (including packing)	16.59 g
Weight per piece (excluding packing)	16.21 g
Customs tariff number	39269097
Country of origin	DE

# G-ESIS-M20-S68L-PEPDS-BK - Cable gland



1415108

<https://www.phoenixcontact.com/us/products/1415108>

## Technical data

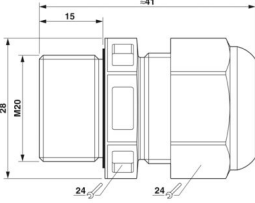
### Product properties

Product type	Cable screw gland
Application	Ex
No. of conductors	1
Manufacturer	WISKA
Manufacturer Designation	ESKE/1-L-e 20
Shielded	no

### Ex data

Cable types that can be used	for unarmored cables
Suited for EX-applications	yes

### Dimensions

Dimensional drawing	
Length	41 mm
Length of the connecting thread	15 mm
Hole diameter	20.1 mm ... 20.3 mm
Wrench size, union nut	24 mm
Wrench size, support	24 mm
Hexagon angular dimension	28 mm
Thread type connection side	M20 x 1.5
Thread pitch	1.5 mm

### Connection data

Tightening torque	2.3 Nm (Support sleeve)
-------------------	-------------------------

### Material specifications

Color	black (RAL 9005)
Material Screw connection	PA (Screw connection, halogen-free)
Seal material Cable seal	EPDM
Glow wire ignition temperature GWIT according to EN 60695-2-13	750
Material for screw connection	PA

### Cable/line

External cable diameter	7 mm ... 13 mm
-------------------------	----------------

# G-ESIS-M20-S68L-PEPDS-BK - Cable gland



1415108

<https://www.phoenixcontact.com/us/products/1415108>

Halogen-free	yes
--------------	-----

## Environmental and real-life conditions

### Ambient conditions

Degree of protection	IP66
	IP68 (5 bar / 0.5 h)
Ambient temperature (operation)	-40 °C ... 75 °C (static)

## Approvals

ATEX	II 2 G Ex e IIC Gb, II 2 D Ex tb IIIC Db
IECEX	Ex e IIC Gb, Ex tb IIIC Db

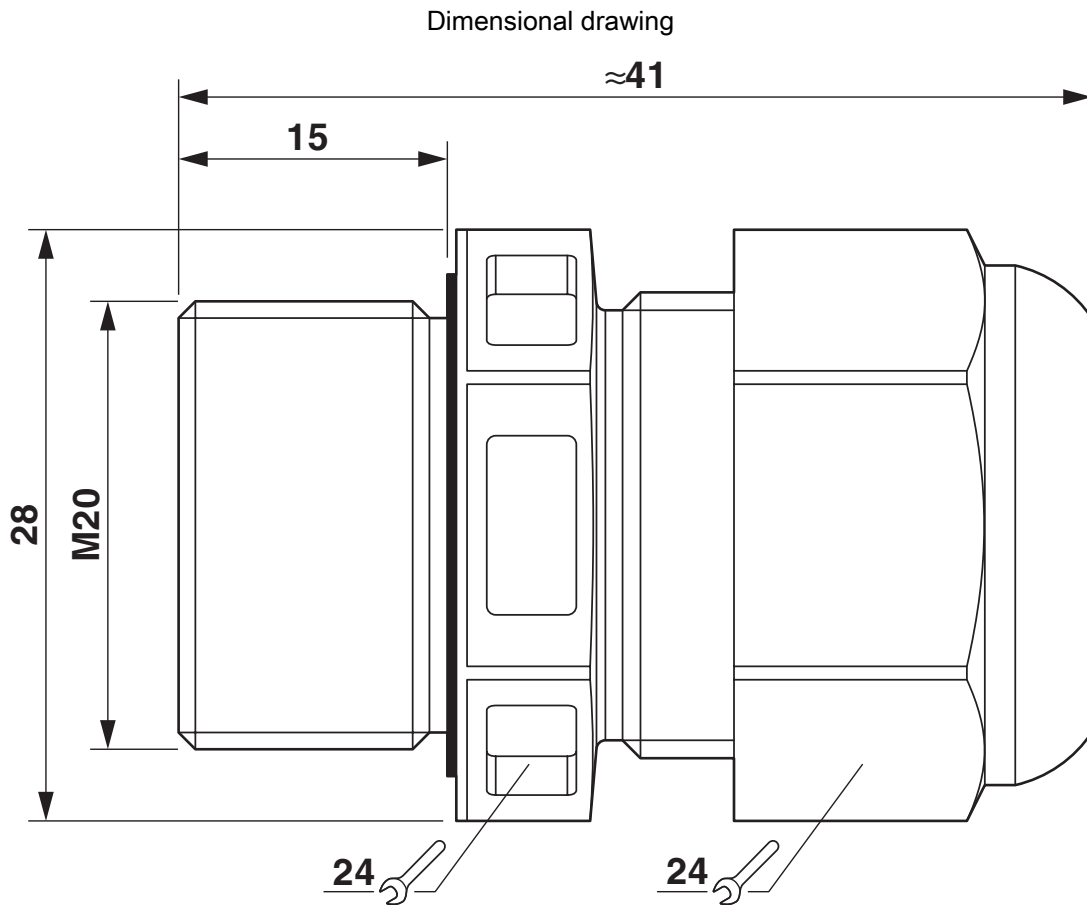
# G-ESIS-M20-S68L-PEPDS-BK - Cable gland



1415108

<https://www.phoenixcontact.com/us/products/1415108>

## Drawings



Dimensional drawing

1415108

<https://www.phoenixcontact.com/us/products/1415108>

## Approvals

To download certificates, visit the product detail page: <https://www.phoenixcontact.com/us/products/1415108>



**EAC Ex**

Approval ID: RU C-DE.HA67.B.00120



**IECEX**

Approval ID: IECEX PTB 13.0034X



**ATEX**

Approval ID: PTB 13 ATEX 1015 X



**DNV GL-EX**

Approval ID: TAE00002SV

# G-ESIS-M20-S68L-PEPDS-BK - Cable gland



1415108

<https://www.phoenixcontact.com/us/products/1415108>

## Classifications

### ECLASS

ECLASS-13.0	27140802
ECLASS-15.0	27140802

### ETIM

ETIM 10.0	EC000441
-----------	----------

### UNSPSC

UNSPSC 21.0	39121300
-------------	----------

# G-ESIS-M20-S68L-PEPDS-BK - Cable gland



1415108

<https://www.phoenixcontact.com/us/products/1415108>

## Environmental product compliance

### EU RoHS

Fulfills EU RoHS substance requirements	Yes, No exemptions
---	--------------------

### China RoHS

Environment friendly use period (EFUP)	EFUP-E
	No hazardous substances above the limits

### EU REACH SVHC

REACH candidate substance (CAS No.)	No substance above 0.1 wt%
-------------------------------------	----------------------------

Phoenix Contact 2026 © - all rights reserved  
<https://www.phoenixcontact.com>

Phoenix Contact USA  
586 Fulling Mill Road  
Middletown, PA 17057, United States  
(+717) 944-1300  
[info@phoenixcon.com](mailto:info@phoenixcon.com)