

# QPD N 4PE1,5 9-14 BK - Nut

1415104

<https://www.phoenixcontact.com/us/products/1415104>

Please be informed that the data shown in this PDF document is generated from our online catalog. Please find the complete data in the user documentation. Our general terms of use for downloads are valid.



Nut, connection method: IDC connection, number of positions: 4+PE, 0.5 mm<sup>2</sup> ... 1.5 mm<sup>2</sup>, 690 V, 17.5 A, PA, black, external cable diameter: 10 mm ... 14 mm

## Your advantages

- Innovative and time saving - QUICKON fast connection for time saving of up to 80 % for on-site connection
- Robust throughout: housing with IP68/IP69K and IK07 protection for a wide range of applications

## Commercial data

|                                      |               |
|--------------------------------------|---------------|
| Item number                          | 1415104       |
| Packing unit                         | 1 pc          |
| Minimum order quantity               | 1 pc          |
| Sales key                            | BF50          |
| Product key                          | AF6UCX        |
| GTIN                                 | 4055626037677 |
| Weight per piece (including packing) | 20.4 g        |
| Weight per piece (excluding packing) | 19 g          |
| Customs tariff number                | 39269097      |
| Country of origin                    | PL            |

## Technical data

### Product properties

|                       |                           |
|-----------------------|---------------------------|
| Product type          | Installation pressure nut |
| Product family        | QPD                       |
| Type                  | QPD 5x1,5                 |
| Number of positions   | 5                         |
| Connection profile    | 4+PE                      |
| Position marking      | 1, 2, 3, N, PE            |
| Number of connections | 10                        |

### Insulation characteristics

|                      |     |
|----------------------|-----|
| Overvoltage category | III |
| Degree of pollution  | 3   |

### Electrical properties

|                             |        |
|-----------------------------|--------|
| Rated surge voltage (II/2)  | 8 kV   |
| Rated surge voltage (III/2) | 8 kV   |
| Rated surge voltage (III/3) | 8 kV   |
| Rated current               | 17.5 A |
| rated voltage (II/2)        | 1000 V |
| rated voltage (III/2)       | 1000 V |
| Rated voltage (III/3)       | 690 V  |
| Nominal current $I_N$       | 17.5 A |

### Connection data

#### Connection technology

|   |                |
|---|----------------|
| Connection method On the field side                                   | IDC connection |
| Frequency of connections between conductors of the same cross section | max. 10        |

#### Conductor connection

|                                  |   |
|----------------------------------|---|
| Conductor cross-section flexibel | 0.5 mm <sup>2</sup> ... 1.5 mm <sup>2</sup> |
| Conductor cross-section solid    | 0.5 mm <sup>2</sup> ... 1.5 mm <sup>2</sup> |
| Connection cross section AWG     | 20 ... 16                                   |
| Tightening torque Union nut      | 8 Nm  |

### Material specifications

|  |                   |
|--|-------------------|
| Color                                  | black (RAL 9005)  |
| Material Housing                       | PA                |
| Flammability rating according to UL 94 | V0                |
| Material wire insulation               | PVC/PE/TPE/rubber |
| Contact carrier material               | PA                |

# QPD N 4PE1,5 9-14 BK - Nut



1415104

<https://www.phoenixcontact.com/us/products/1415104>

## Cable/line

|   |                                    |
|---|------------------------------------|
| Structure of individual litz in acc. with VDE 0295 / smallest wire diameter | VDE 0295 class 1 to 6/min. 0.15 mm |
| External cable diameter   | 10 mm ... 14 mm                    |
| Wire diameter including insulation  | 1.6 mm ... 3 mm                    |
| Position marking  | 1, 2, 3, N, PE                     |
| Material wire insulation  | PVC/PE/TPE/rubber                  |

## Environmental and real-life conditions

### Ambient conditions

|   |  |
|---|--|
| Degree of protection                    | IP66                                   |
|   | IP68 (2 m / 24 h)                      |
|   | IP69K                                  |
|   | Touch-proof when not plugged in (IP2X) |
| Impact strength                         | IK07                                   |
| Ambient temperature (operation)         | -40 °C ... 100 °C                      |
| Temperature when conductor connected    | -5 °C ... 50 °C                        |
| Ambient temperature (storage/transport) | -40 °C ... 80 °C                       |

# QPD N 4PE1,5 9-14 BK - Nut

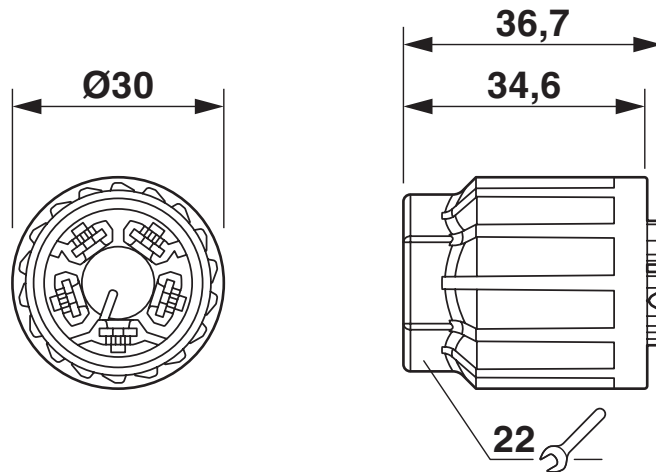
1415104

<https://www.phoenixcontact.com/us/products/1415104>



## Drawings

Dimensional drawing



Dimensional drawing of the QPD nut 5x2,5

# QPD N 4PE1,5 9-14 BK - Nut



1415104

<https://www.phoenixcontact.com/us/products/1415104>

## Approvals

To download certificates, visit the product detail page: <https://www.phoenixcontact.com/us/products/1415104>



**IECEE CB Scheme**  
Approval ID: DE1-65875



**DNV GL**  
Approval ID: TAE00003J5



**VDE Zeichengenehmigung**  
Approval ID: 40029149



**UL Listed**  
Approval ID: E468743

|       | Nominal voltage $U_N$ | Nominal current $I_N$ | Cross section AWG | Cross section $\text{mm}^2$ |
|-------|-----------------------|-----------------------|-------------------|-----------------------------|
| keine |                       |                       |                   |                             |
|       | 600 V                 | 8 A                   | - 16              | -                           |



**cUL Listed**  
Approval ID: E468743

|       | Nominal voltage $U_N$ | Nominal current $I_N$ | Cross section AWG | Cross section $\text{mm}^2$ |
|-------|-----------------------|-----------------------|-------------------|-----------------------------|
| keine |                       |                       |                   |                             |
|       | 600 V                 | 8 A                   | - 16              | -                           |

# QPD N 4PE1,5 9-14 BK - Nut



1415104

<https://www.phoenixcontact.com/us/products/1415104>

## Classifications

### ECLASS

|             |          |
|-------------|----------|
| ECLASS-13.0 | 27440691 |
| ECLASS-15.0 | 27440691 |

### ETIM

|           |          |
|-----------|----------|
| ETIM 10.0 | EC002863 |
|-----------|----------|

### UNSPSC

|             |          |
|-------------|----------|
| UNSPSC 21.0 | 39121400 |
|-------------|----------|

# QPD N 4PE1,5 9-14 BK - Nut



1415104

<https://www.phoenixcontact.com/us/products/1415104>

## Environmental product compliance

### EU RoHS

|   |                    |
|---|--------------------|
| Fulfills EU RoHS substance requirements | Yes, No exemptions |
|---|--------------------|

### China RoHS

|  |  |
|--|--|
| Environment friendly use period (EFUP) | EFUP-E                                   |
|  | No hazardous substances above the limits |

### EU REACH SVHC

|                                     |                            |
|-------------------------------------|----------------------------|
| REACH candidate substance (CAS No.) | No substance above 0.1 wt% |
|-------------------------------------|----------------------------|

### EF3.1 Climate Change

|         |               |
|---------|---------------|
| CO2e kg | 0.135 kg CO2e |
|---------|---------------|

Phoenix Contact 2026 © - all rights reserved  
<https://www.phoenixcontact.com>

Phoenix Contact USA  
586 Fulling Mill Road  
Middletown, PA 17057, United States  
(+717) 944-1300  
[info@phoenixcon.com](mailto:info@phoenixcon.com)