

# SAC-6P-DTMS/ 0,3-PUR/DTFS - Sensor/actuator cable



1415035

<https://www.phoenixcontact.com/us/products/1415035>

Please be informed that the data shown in this PDF document is generated from our online catalog. Please find the complete data in the user documentation. Our general terms of use for downloads are valid.



Sensor/actuator cable, 6-position, PUR halogen-free, black-gray RAL 7021, Plug straight DEUTSCH DT04-6P Clip locking, coding: A, Wiring: unwired, on Socket straight DEUTSCH DT06-6S Clip locking, Wiring: unwired, cable length: 0.3 m

## Commercial data

Item number	1415035
Packing unit	1 pc
Minimum order quantity	1 pc
Sales key	BF08
Product key	AF1DWA
GTIN	4055626037066
Weight per piece (including packing)	70 g
Weight per piece (excluding packing)	70 g
Customs tariff number	85444290
Country of origin	DE

# SAC-6P-DTMS/ 0,3-PUR/DTFS - Sensor/actuator cable



1415035

<https://www.phoenixcontact.com/us/products/1415035>

## Technical data

### Product properties

Product type	Sensor/actuator cable
Application	Mobile hydraulics
Number of positions	6
No. of cable outlets	1
Shielded	no
Coding	A

### Material specifications

Flammability rating according to UL 94	V2
Seal material	Silicon
Material of grip body	TPU
Contact material	Cu alloy
Contact surface material	nickel-plated
Contact carrier material	PA 6.6
Material for screw connection	not available

### Electrical properties

Insulation resistance	$\geq 100 \text{ M}\Omega$
Nominal voltage $U_N$	48 V AC
	48 V DC
Nominal current $I_N$	8 A

### Signaling

Status display	no
Status display present	no

### Connector

#### Connection 1

Type	Plug straight DEUTSCH DT04-6P Clip locking
Number of positions	6
Locking type	Clip locking
Coding type	A
Protective circuit	unwired

#### Connection 2

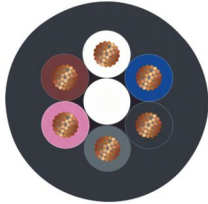
Type	Socket straight DEUTSCH DT06-6S Clip locking
Number of positions	6
Locking type	Clip locking
Protective circuit	unwired

### Cable/line

# SAC-6P-DTMS/ 0,3-PUR/DTFS - Sensor/actuator cable

1415035

<https://www.phoenixcontact.com/us/products/1415035>

Cable length	0.3 m
PUR halogen-free black [PUR]	
Dimensional drawing	
Cable weight	68 kg/km
UL AWM Style	20549 / 10152 (80°C/300 V)
Number of positions	6
Shielded	no
Cable type	PUR halogen-free black [PUR]
Conductor structure signal line	42x 0.15 mm
AWG signal line	18
Conductor cross-section	6x 0.75 mm <sup>2</sup> (Signal line)
Wire diameter incl. insulation	1.69 mm ±0.05 mm (Signal line)
External cable diameter	6.50 mm ±0.15 mm
Outer sheath, material	PUR
External sheath, color	black-gray RAL 7021
Conductor material	Bare Cu litz wires
Material wire insulation	PP
Single wire, color	brown, white, blue, black, gray, pink
Thickness, insulation	≥ 0.21 mm
Thickness, outer sheath	≥ 0.38 mm
Overall twist	6 wires, horizontally twisted
Max. conductor resistance	≤ 26 Ω/km (at 20 °C)
Insulation resistance	≥ 1 GΩ*km (at 20 °C)
Nominal voltage, cable	≤ 300 V AC
Test voltage	≥ 3000 V AC (Spark test)
Minimum bending radius, fixed installation	5 x D
Minimum bending radius, flexible installation	10 x D
Smallest bending radius, fixed installation	33 mm
Smallest bending radius, movable installation	65 mm
Dynamic load capacity (bending)	Max. bending cycles: 4000000, Bending radius: 48 mm, Traversing path: 10 m, Traversing rate: 3 m/s, Acceleration: 10 m/s <sup>2</sup>
Halogen-free	in accordance with DIN VDE 0472 part 815 in accordance with DIN EN 50267-2-1
Flame resistance	according to UL 758/1581 (horizontal) in accordance with UL 758/1581 FT2 according to DIN EN 60332-2-2

# SAC-6P-DTMS/ 0,3-PUR/DTFS - Sensor/actuator cable



1415035

<https://www.phoenixcontact.com/us/products/1415035>

Resistance to oil	According to DIN EN 60811-2-1, 168 h at 100°C
	according to UL 758, 168 h at 60 °C
Other resistance	hydrolysis and microbe resistant
	partly UV-resistant (in accordance with DIN EN ISO 4892-2-A)
	Low adhesion
Special properties	abrasion-resistant
	flexible
Ambient temperature (operation)	Flexible cable conduit capable
	-40 °C ... 80 °C (cable, fixed installation)
	-25 °C ... 80 °C (Cable, flexible installation)

## Environmental and real-life conditions

### Ambient conditions

Degree of protection	IP67
	IP69K
Ambient temperature (operation) (male connector/female connector)	-20 °C ... 80 °C (Plug / socket)

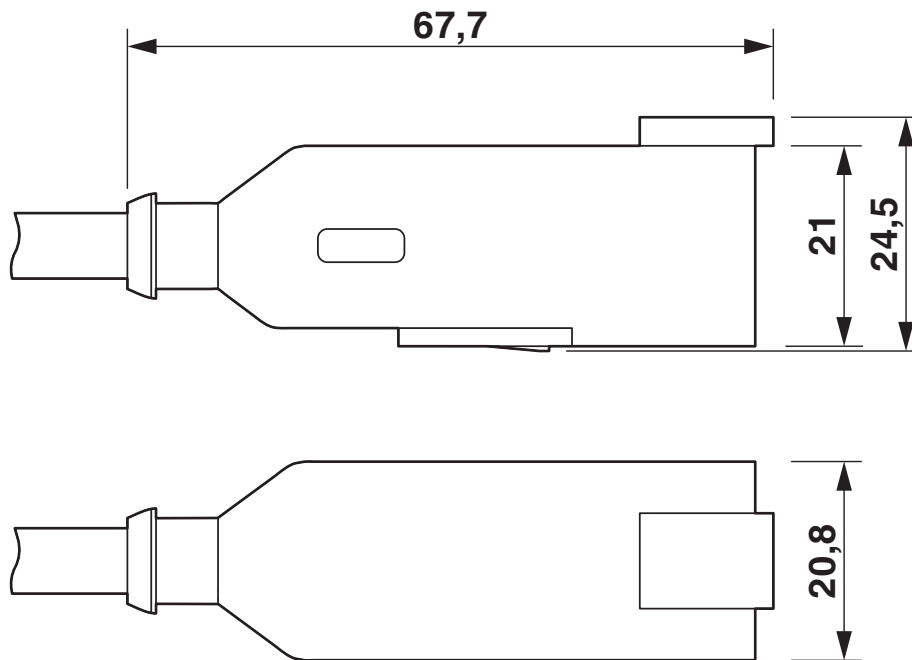
# SAC-6P-DTMS/ 0,3-PUR/DTFS - Sensor/actuator cable

1415035

<https://www.phoenixcontact.com/us/products/1415035>

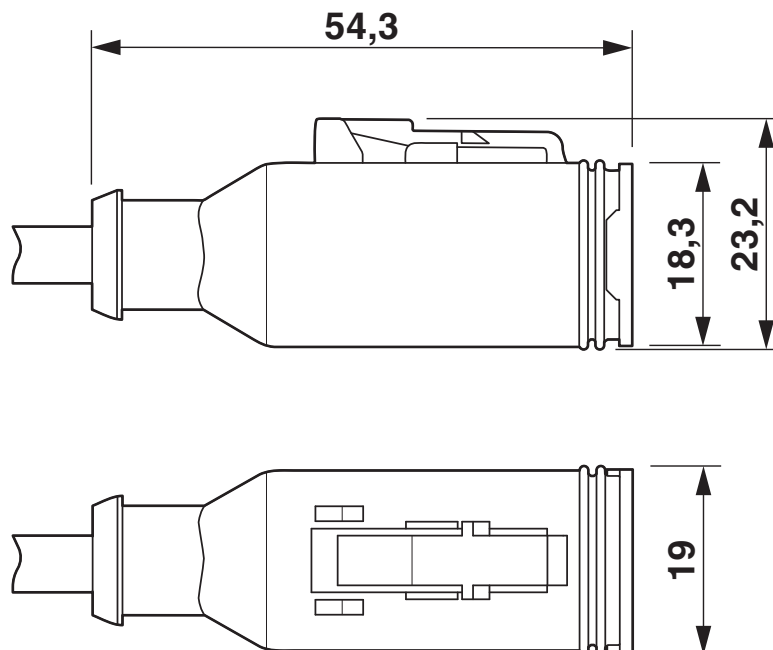
## Drawings

Dimensional drawing



DEUTSCH DT04-6P, top view and side view

Dimensional drawing



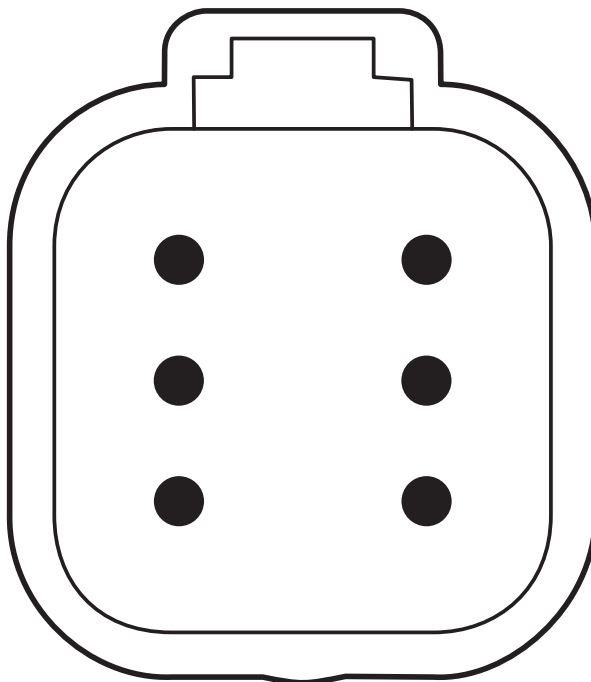
DEUTSCH DT06-6S, top view and side view

# SAC-6P-DTMS/ 0,3-PUR/DTFS - Sensor/actuator cable

1415035

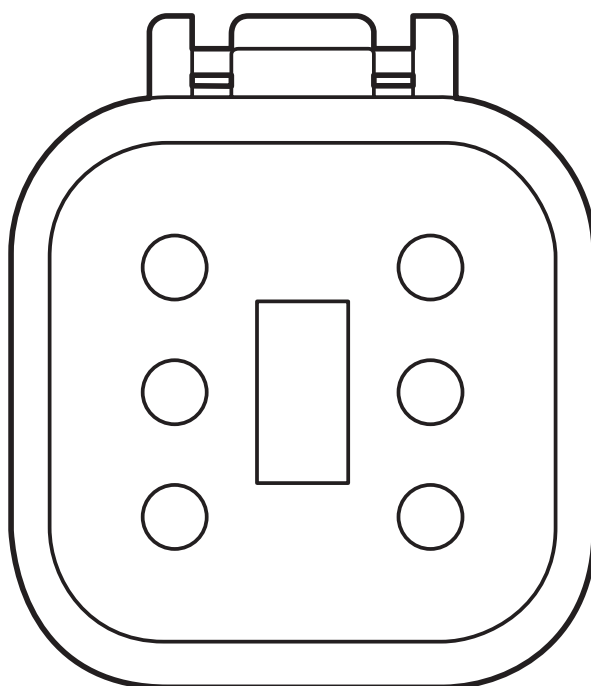
<https://www.phoenixcontact.com/us/products/1415035>

Schematic diagram



DEUTSCH DT04-6P pin assignment

Schematic diagram



DEUTSCH DT06-6S pin assignment

# SAC-6P-DTMS/ 0,3-PUR/DTFS - Sensor/actuator cable

1415035

<https://www.phoenixcontact.com/us/products/1415035>

Circuit diagram



Contact assignment of the DEUTSCH connectors

# SAC-6P-DTMS/ 0,3-PUR/DTFS - Sensor/actuator cable



1415035

<https://www.phoenixcontact.com/us/products/1415035>

## Approvals

🔗 To download certificates, visit the product detail page: <https://www.phoenixcontact.com/us/products/1415035>



**EAC-RoHS**

Approval ID: RU D-DE.HB35.B.00387

# SAC-6P-DTMS/ 0,3-PUR/DTFS - Sensor/actuator cable



1415035

<https://www.phoenixcontact.com/us/products/1415035>

## Classifications

### ECLASS

ECLASS-13.0	27060311
ECLASS-15.0	27060311

### ETIM

ETIM 10.0	EC001855
-----------	----------

### UNSPSC

UNSPSC 21.0	26121600
-------------	----------

# SAC-6P-DTMS/ 0,3-PUR/DTFS - Sensor/actuator cable



1415035

<https://www.phoenixcontact.com/us/products/1415035>

## Environmental product compliance

### EU RoHS

Fulfills EU RoHS substance requirements	Yes
Exemption	6(c)

### China RoHS

Environment friendly use period (EFUP)	EFUP-50
	An article-related China RoHS declaration table can be found in the download area for the respective article under "Manufacturer declaration". For all articles with EFUP-E, no China RoHS declaration table issued and required.

### EU REACH SVHC

REACH candidate substance (CAS No.)	Lead(CAS: 7439-92-1)
SCIP	b37235a0-2cfe-4648-b0a5-266df51e345d

Phoenix Contact 2026 © - all rights reserved  
<https://www.phoenixcontact.com>

Phoenix Contact USA  
586 Fulling Mill Road  
Middletown, PA 17057, United States  
(+717) 944-1300  
[info@phoenixcon.com](mailto:info@phoenixcon.com)