

SAC-4P-10,0-PUR/DTFS - Sensor/actuator cable



1415011

<https://www.phoenixcontact.com/us/products/1415011>

Please be informed that the data shown in this PDF document is generated from our online catalog. Please find the complete data in the user documentation. Our general terms of use for downloads are valid.



Sensor/actuator cable, 4-position, PUR halogen-free, black-gray RAL 7021, free cable end, on Socket straight DEUTSCH DT06-4S Clip locking, coding: A, Wiring: unwired, cable length: 10 m

Commercial data

Item number	1415011
Packing unit	1 pc
Minimum order quantity	1 pc
Sales key	BF08
Product key	AF1DWA
GTIN	4055626036878
Weight per piece (including packing)	550.5 g
Weight per piece (excluding packing)	538.9 g
Customs tariff number	85444290
Country of origin	DE

1415011

<https://www.phoenixcontact.com/us/products/1415011>

Technical data

Product properties

Product type	Sensor/actuator cable
Application	Mobile hydraulics
Number of positions	4
No. of cable outlets	1
Shielded	no
Coding	A

Material specifications

Flammability rating according to UL 94	V2
Seal material	Silicon
Material of grip body	TPU
Contact material	Cu alloy
Contact surface material	nickel-plated
Contact carrier material	PA 6.6
Material for screw connection	not available

Electrical properties

Insulation resistance	≥ 100 MΩ
Nominal voltage U_N	48 V AC
	48 V DC
Nominal current I_N	8 A

Signaling

Status display	no
Status display present	no

Connector

Connection 1

Type	free cable end
------	----------------

Connection 2

Type	Socket straight DEUTSCH DT06-4S Clip locking
Number of positions	4
Locking type	Clip locking
Coding type	A
Protective circuit	unwired

Cable/line

Cable length	10 m
--------------	------

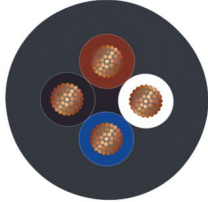
PUR halogen-free black [PUR]

SAC-4P-10,0-PUR/DTFS - Sensor/actuator cable



1415011

<https://www.phoenixcontact.com/us/products/1415011>

Dimensional drawing	
Cable weight	51 kg/km
UL AWM Style	20549 / 10152 (80°C/300 V)
Number of positions	4
Shielded	no
Cable type	PUR halogen-free black [PUR]
Conductor structure signal line	42x 0.15 mm
AWG signal line	18
Conductor cross-section	4x 0.75 mm ² (Signal line)
Wire diameter incl. insulation	1.69 mm ±0.05 mm (Signal line)
External cable diameter	5.70 mm ±0.15 mm
Outer sheath, material	PUR
External sheath, color	black-gray RAL 7021
Conductor material	Bare Cu litz wires
Material wire insulation	PP
Single wire, color	brown, blue, black, white
Thickness, insulation	≥ 0.21 mm
Thickness, outer sheath	≥ 0.38 mm
Overall twist	4 wires, twisted
Max. conductor resistance	≤ 26 Ω/km (at 20 °C)
Insulation resistance	≥ 1 GΩ*km (at 20 °C)
Nominal voltage, cable	≤ 300 V AC
Test voltage	≥ 3000 V AC (Spark test)
Minimum bending radius, fixed installation	5 x D
Minimum bending radius, flexible installation	10 x D
Smallest bending radius, fixed installation	29 mm
Smallest bending radius, movable installation	57 mm
Dynamic load capacity (bending)	Max. bending cycles: 4000000, Bending radius: 48 mm, Traversing path: 10 m, Traversing rate: 3 m/s, Acceleration: 10 m/s ²
Halogen-free	in accordance with DIN VDE 0472 part 815 in accordance with DIN EN 50267-2-1
Flame resistance	according to UL 758/1581 (horizontal) in accordance with UL 758/1581 FT2 according to DIN EN 60332-2-2
Resistance to oil	According to DIN EN 60811-2-1, 168 h at 100°C according to UL 758, 168 h at 60 °C

SAC-4P-10,0-PUR/DTFS - Sensor/actuator cable



1415011

<https://www.phoenixcontact.com/us/products/1415011>

Other resistance	hydrolysis and microbe resistant
	partly UV-resistant (in accordance with DIN EN ISO 4892-2-A)
	Low adhesion
	abrasion-resistant
Special properties	flexible
	Flexible cable conduit capable
Ambient temperature (operation)	-40 °C ... 80 °C (cable, fixed installation)
	-25 °C ... 80 °C (Cable, flexible installation)

Environmental and real-life conditions

Ambient conditions

Degree of protection	IP67
	IP69K
Ambient temperature (operation) (male connector/female connector)	-20 °C ... 80 °C (Plug / socket)

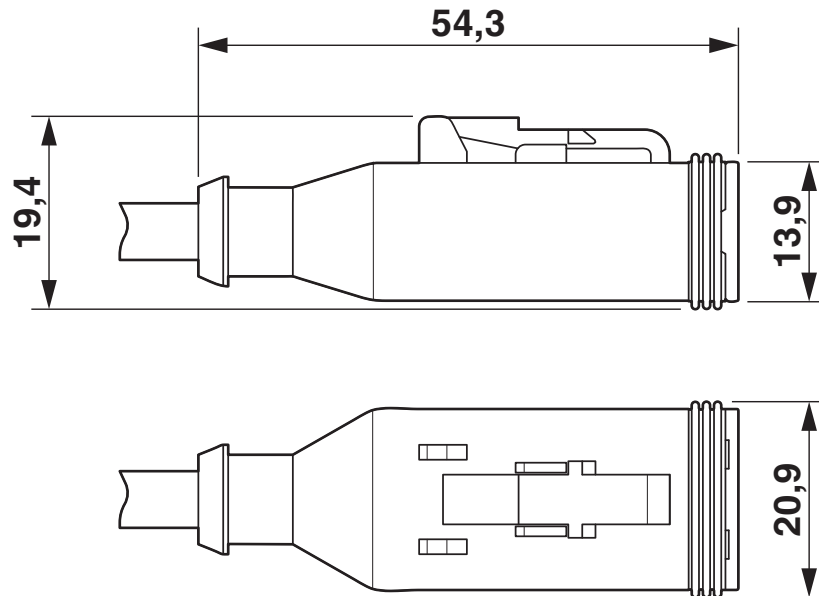
SAC-4P-10,0-PUR/DTFS - Sensor/actuator cable

1415011

<https://www.phoenixcontact.com/us/products/1415011>

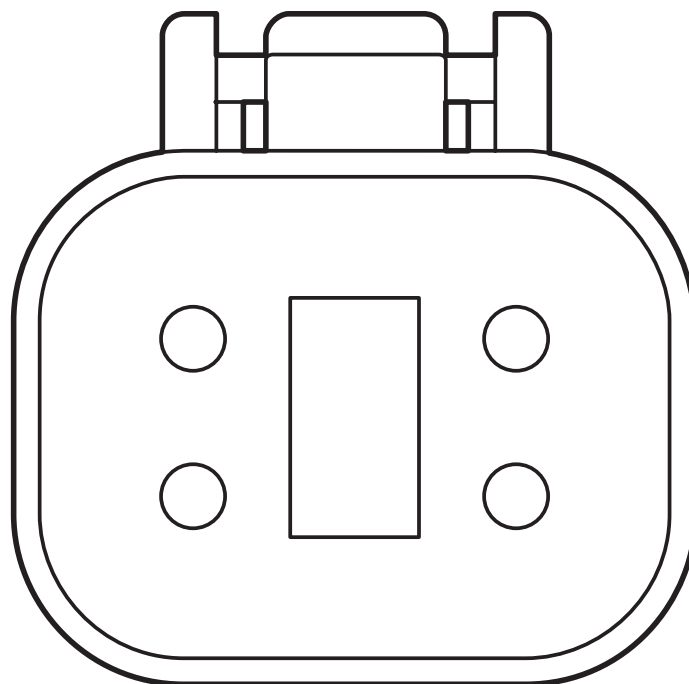
Drawings

Dimensional drawing



DEUTSCH DT06-4S, top view and side view

Schematic diagram



DEUTSCH DT06-4S pin assignment

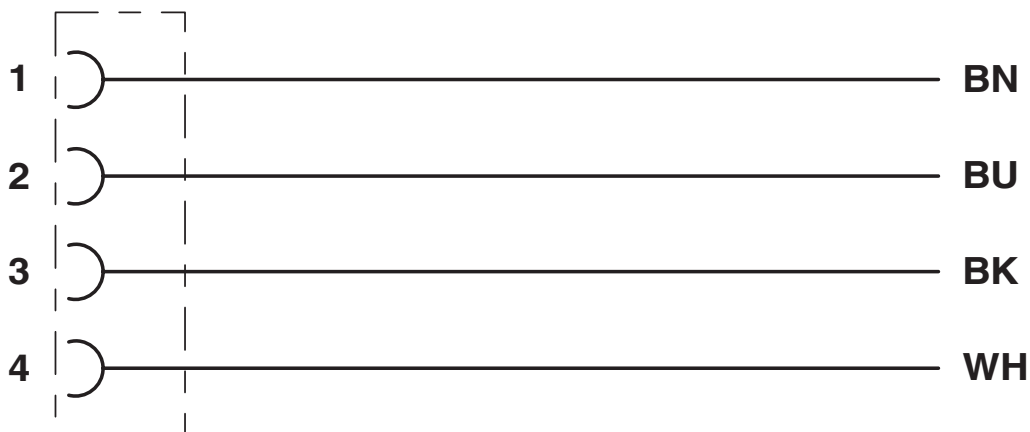
SAC-4P-10,0-PUR/DTFS - Sensor/actuator cable



1415011

<https://www.phoenixcontact.com/us/products/1415011>

Circuit diagram



Contact assignment of the DEUTSCH DT06-4S

SAC-4P-10,0-PUR/DTFS - Sensor/actuator cable



1415011

<https://www.phoenixcontact.com/us/products/1415011>

Approvals

To download certificates, visit the product detail page: <https://www.phoenixcontact.com/us/products/1415011>



EAC-RoHS

Approval ID: RU D-DE.HB35.B.00387

SAC-4P-10,0-PUR/DTFS - Sensor/actuator cable



1415011

<https://www.phoenixcontact.com/us/products/1415011>

Classifications

ECLASS

ECLASS-13.0	27060311
ECLASS-15.0	27060311

ETIM

ETIM 10.0	EC001855
-----------	----------

UNSPSC

UNSPSC 21.0	26121600
-------------	----------

1415011

<https://www.phoenixcontact.com/us/products/1415011>

Environmental product compliance

EU RoHS

Fulfills EU RoHS substance requirements	Yes
Exemption	6(c)

China RoHS

Environment friendly use period (EFUP)	EFUP-50
	An article-related China RoHS declaration table can be found in the download area for the respective article under "Manufacturer declaration". For all articles with EFUP-E, no China RoHS declaration table issued and required.

EU REACH SVHC

REACH candidate substance (CAS No.)	Lead(CAS: 7439-92-1)
SCIP	6b08d721-f1e6-40ab-81d8-2858cff3b447

Phoenix Contact 2026 © - all rights reserved

<https://www.phoenixcontact.com>

Phoenix Contact USA
586 Fulling Mill Road
Middletown, PA 17057, United States
(+717) 944-1300
info@phoenixcon.com