

# QPD H 2PE1,5 BK - H distributor



1414721

<https://www.phoenixcontact.com/us/products/1414721>

Please be informed that the data shown in this PDF document is generated from our online catalog. Please find the complete data in the user documentation. Our general terms of use for downloads are valid.



H distributor, connection method: IDC connection/ QUICKON fast connection, number of positions: 2+PE, 0.5 mm<sup>2</sup> ... 1.5 mm<sup>2</sup>, 690 V, 17.5 A, PA, black, without QUICKON nut, coding: Coding profile

## Your advantages

- Innovative and time saving - QUICKON fast connection for time saving of up to 80 % for on-site connection
- Robust throughout: housing with IP68/IP69K and IK07 protection for a wide range of applications
- Safer connection with mechanical coding to protect against mismatching, and touch-proof protection in accordance with DIN EN 0105
- Flexible and compact - by connecting connections internally, H and T distributors can be used to branch master cables or they can be used as star distributors

## Commercial data

Item number	1414721
Packing unit	1 pc
Minimum order quantity	1 pc
Sales key	BF50
Product key	AF6DAA
GTIN	4055626032221
Weight per piece (including packing)	120 g
Weight per piece (excluding packing)	123.7 g
Customs tariff number	85366990
Country of origin	PL

# QPD H 2PE1,5 BK - H distributor

1414721

<https://www.phoenixcontact.com/us/products/1414721>

## Technical data

### Product properties

Product type	Power distributor
Product family	QPD
Type	H distributor
Number of positions	3
Connection profile	2+PE
Position marking	1, 2, PE
Number of connections	3
No. of cable outlets	4
Coding	Coding profile

### Insulation characteristics

Overvoltage category	III
Degree of pollution	3

### Connection data

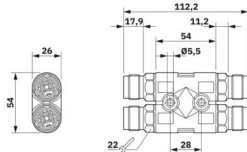
#### Connection technology

Connection method	IDC connection
	QUICKON fast connection
Frequency of connections between conductors of the same cross section	max. 10

#### Conductor connection

Conductor cross-section flexibel	0.5 mm <sup>2</sup> ... 1.5 mm <sup>2</sup>
Conductor cross-section solid	0.5 mm <sup>2</sup> ... 1.5 mm <sup>2</sup>
Connection cross section AWG	20 ... 16
Tightening torque Union nut	8 Nm
Wrench size Union nut	19 mm

### Dimensions

Dimensional drawing	
Width	54 mm
Height	26 mm
Length	143.8 mm
Wrench size	19 mm
Wrench size for mounting	19 mm

### Electrical properties

# QPD H 2PE1,5 BK - H distributor



1414721

<https://www.phoenixcontact.com/us/products/1414721>

Rated surge voltage (II/2)	8 kV
Rated surge voltage (III/2)	8 kV
Rated surge voltage (III/3)	6 kV
Rated current	17.5 A
Contact resistance	< 3 mΩ
rated voltage (II/2)	1000 V
rated voltage (III/2)	1000 V
Rated voltage (III/3)	690 V
Nominal voltage U <sub>N</sub>	690 V AC
	690 V DC
Nominal current I <sub>N</sub>	17.5 A

## Mechanical properties

### Mechanical data

Insertion/withdrawal cycles	max. 50
-----------------------------	---------

## Material specifications

Color	black (RAL 9005)
Material Housing	PA
Material Contact surface	silver-plated
Flammability rating according to UL 94	V0
Material wire insulation	PVC/PE/TPE/rubber

## Cable/line

Structure of individual litz in acc. with VDE 0295 / smallest wire diameter	VDE 0295 class 1 to 6/min. 0.15 mm
Wire diameter including insulation	1.6 mm ... 3 mm
Position marking	1, 2, PE
Material wire insulation	PVC/PE/TPE/rubber

## Environmental and real-life conditions

### Ambient conditions

Degree of protection	IP66
	IP68 (2 m / 24 h)
	IP69K (Distance from the nozzle 150 mm)
	Touch-proof when not plugged in (IP2X)
Impact strength	IK07 (-25 °C)
Ambient temperature (operation)	-40 °C ... 100 °C
Temperature when conductor connected	-5 °C ... 50 °C
Ambient temperature (storage/transport)	-40 °C ... 100 °C

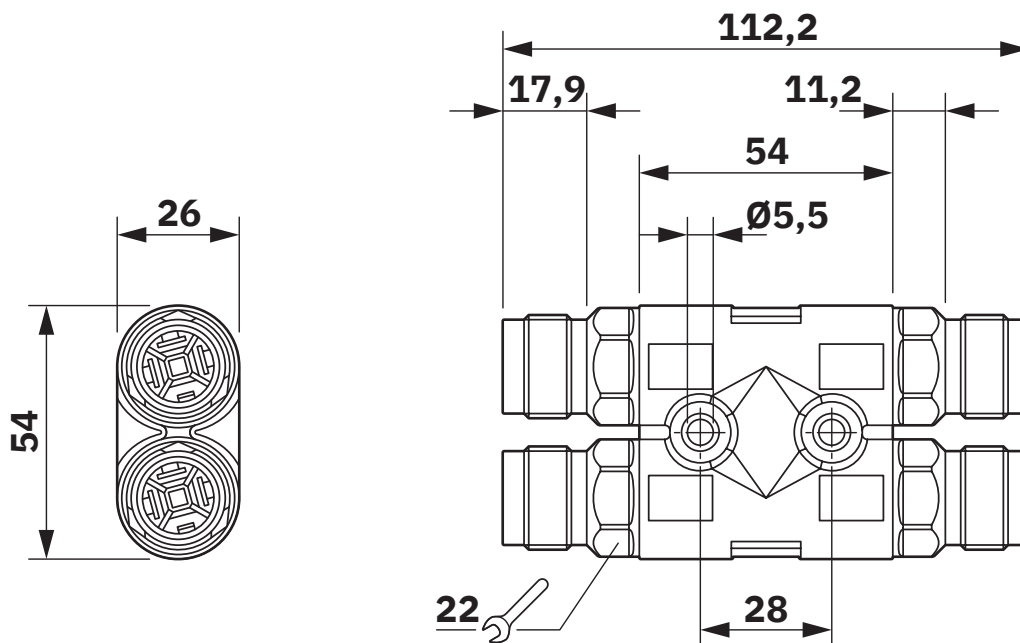
# QPD H 2PE1,5 BK - H distributor

1414721

<https://www.phoenixcontact.com/us/products/1414721>

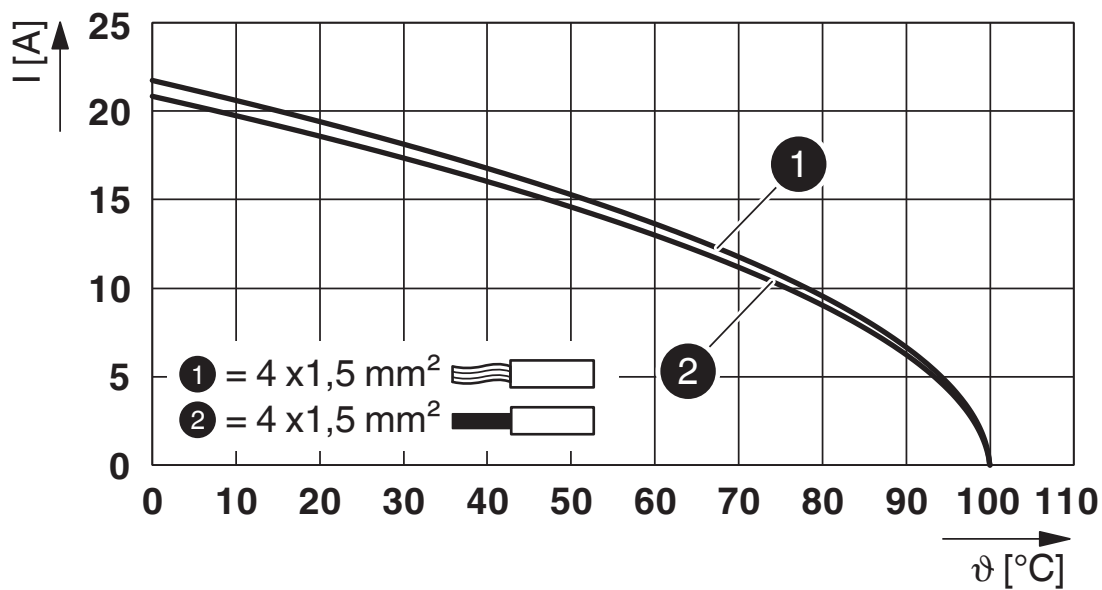
## Drawings

Dimensional drawing



Dimensional drawing

Diagram



Derating diagram

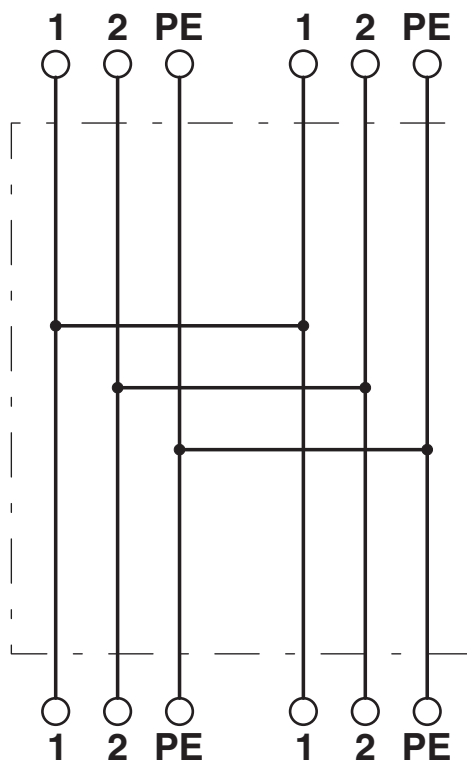
# QPD H 2PE1,5 BK - H distributor

1414721

<https://www.phoenixcontact.com/us/products/1414721>



Circuit diagram



# QPD H 2PE1,5 BK - H distributor



1414721

<https://www.phoenixcontact.com/us/products/1414721>

## Approvals

To download certificates, visit the product detail page: <https://www.phoenixcontact.com/us/products/1414721>



**IECEE CB Scheme**  
Approval ID: DE1-65875



**DNV GL**  
Approval ID: TAE00003J5



**VDE Zeichengenehmigung**  
Approval ID: 40029149



**UL Listed**  
Approval ID: E468743

	Nominal voltage $U_N$	Nominal current $I_N$	Cross section AWG	Cross section $\text{mm}^2$
keine				
	600 V	8 A	- 16	-



**cUL Listed**  
Approval ID: E468743

	Nominal voltage $U_N$	Nominal current $I_N$	Cross section AWG	Cross section $\text{mm}^2$
keine				
	600 V	8 A	- 16	-

# QPD H 2PE1,5 BK - H distributor



1414721

<https://www.phoenixcontact.com/us/products/1414721>

## Classifications

### ECLASS

ECLASS-13.0	27440603
ECLASS-15.0	27440603

### ETIM

ETIM 10.0	EC002567
-----------	----------

### UNSPSC

UNSPSC 21.0	39121400
-------------	----------

# QPD H 2PE1,5 BK - H distributor



1414721

<https://www.phoenixcontact.com/us/products/1414721>

## Environmental product compliance

### EU RoHS

Fulfills EU RoHS substance requirements	Yes, No exemptions
---	--------------------

### China RoHS

Environment friendly use period (EFUP)	EFUP-E
	No hazardous substances above the limits

### EU REACH SVHC

REACH candidate substance (CAS No.)	No substance above 0.1 wt%
-------------------------------------	----------------------------

Phoenix Contact 2026 © - all rights reserved  
<https://www.phoenixcontact.com>

Phoenix Contact USA  
586 Fulling Mill Road  
Middletown, PA 17057, United States  
(+717) 944-1300  
[info@phoenixcon.com](mailto:info@phoenixcon.com)