

QPD H 2PE1,5 4X8-13 BK - H distributor



1414720

<https://www.phoenixcontact.com/us/products/1414720>

Please be informed that the data shown in this PDF document is generated from our online catalog. Please find the complete data in the user documentation. Our general terms of use for downloads are valid.



H distributor, connection method: IDC connection, number of positions: 2+PE, 0.5 mm² ... 1.5 mm², 690 V, 17.5 A, PA, black, with four QUICKON nuts, coding: Coding profile, external cable diameter: 10 mm ... 13 mm

Your advantages

- Innovative and time saving - QUICKON fast connection for time saving of up to 80 % for on-site connection
- Robust throughout: housing with IP68/IP69K and IK07 protection for a wide range of applications
- Safer connection with mechanical coding to protect against mismatching, and touch-proof protection in accordance with DIN EN 0105
- Flexible and compact - by connecting connections internally, H and T-distributors can be used to branch master cables or they can be used as star distributors

Commercial data

| | |
|--------------------------------------|---------------|
| Item number | 1414720 |
| Packing unit | 1 pc |
| Minimum order quantity | 1 pc |
| Sales key | BF50 |
| Product key | AF6DAA |
| GTIN | 4055626032214 |
| Weight per piece (including packing) | 160.1 g |
| Weight per piece (excluding packing) | 162.7 g |
| Customs tariff number | 85366990 |
| Country of origin | PL |

QPD H 2PE1,5 4X8-13 BK - H distributor



1414720

<https://www.phoenixcontact.com/us/products/1414720>

Technical data

Product properties

| | |
|-----------------------|-------------------|
| Product type | Power distributor |
| Product family | QPD |
| Type | H-distributor |
| Number of positions | 3 |
| Connection profile | 2+PE |
| Position marking | 1, 2, PE |
| Number of connections | 3 |
| No. of cable outlets | 4 |
| Coding | Coding profile |

Insulation characteristics

| | |
|----------------------|-----|
| Overvoltage category | III |
| Degree of pollution | 3 |

Connection data

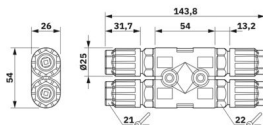
Connection technology

| | |
|---|----------------|
| Connection method | IDC connection |
| Frequency of connections between conductors of the same cross section | max. 10 |

Conductor connection

| | |
|----------------------------------|---|
| Conductor cross-section flexibel | 0.5 mm ² ... 1.5 mm ² |
| Conductor cross-section solid | 0.5 mm ² ... 1.5 mm ² |
| Connection cross section AWG | 20 ... 16 |
| Tightening torque Union nut | 8 Nm |
| Wrench size Union nut | 19 mm |

Dimensions

| | |
|--------------------------|--|
| Dimensional drawing |  |
| Width | 54 mm |
| Height | 26 mm |
| Length | 143.8 mm |
| Wrench size | 19 mm |
| Wrench size for mounting | 19 mm |

Electrical properties

| | |
|----------------------------|------|
| Rated surge voltage (II/2) | 8 kV |
|----------------------------|------|

QPD H 2PE1,5 4X8-13 BK - H distributor



1414720

<https://www.phoenixcontact.com/us/products/1414720>

| | |
|-----------------------------|----------------------|
| Rated surge voltage (III/2) | 8 kV |
| Rated surge voltage (III/3) | 6 kV |
| Rated current | 17.5 A |
| Contact resistance | < 3 mΩ |
| rated voltage (II/2) | 1000 V |
| rated voltage (III/2) | 1000 V |
| Rated voltage (III/3) | 690 V |
| Nominal voltage U_N | 690 V AC 690 V DC |
| Nominal current I_N | 17.5 A |

Mechanical properties

Mechanical data

| | |
|-----------------------------|---------------------------------------|
| Insertion/withdrawal cycles | max. 50 (QUICKON connections max. 10) |
|-----------------------------|---------------------------------------|

Material specifications

| | |
|--|-------------------|
| Color | black (RAL 9005) |
| Material Housing | PA |
| Material Contact | Cu |
| Material Contact surface | silver-plated |
| Flammability rating according to UL 94 | V0 |
| Material wire insulation | PVC/PE/TPE/rubber |

Cable/line

| | |
|---|------------------------------------|
| Structure of individual litz in acc. with VDE 0295 / smallest wire diameter | VDE 0295 class 1 to 6/min. 0.15 mm |
| External cable diameter | 10 mm ... 13 mm |
| Wire diameter including insulation | 1.6 mm ... 3 mm |
| Position marking | 1, 2, PE |
| Material wire insulation | PVC/PE/TPE/rubber |

Environmental and real-life conditions

Ambient conditions

| | |
|---|--|
| Degree of protection | IP66 IP68 (2 m / 24 h) IP69K (Distance from the nozzle 150 mm) Touch-proof when not plugged in (IP2X) |
| Impact strength | IK07 (-25 °C) |
| Ambient temperature (operation) | -40 °C ... 100 °C |
| Temperature when conductor connected | -5 °C ... 50 °C |
| Ambient temperature (storage/transport) | -40 °C ... 100 °C |

QPD H 2PE1,5 4X8-13 BK - H distributor

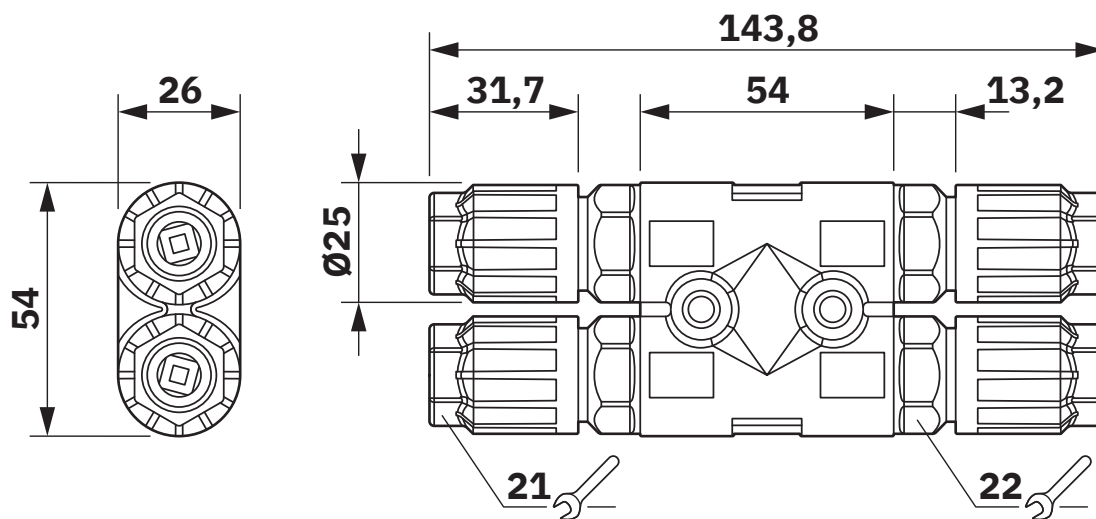


1414720

<https://www.phoenixcontact.com/us/products/1414720>

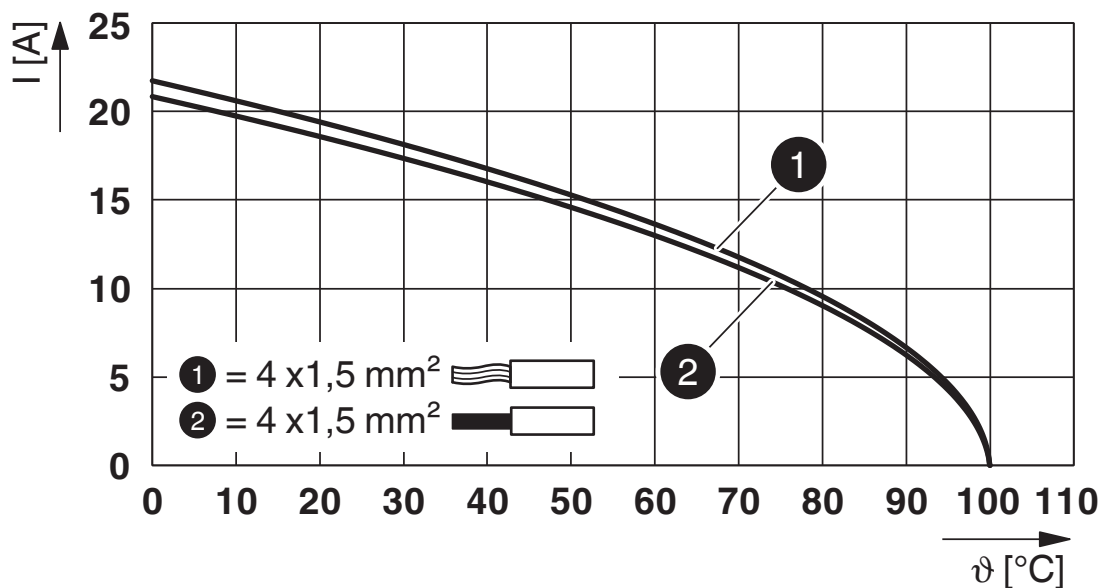
Drawings

Dimensional drawing



Dimensional drawing

Diagram



Derating diagram

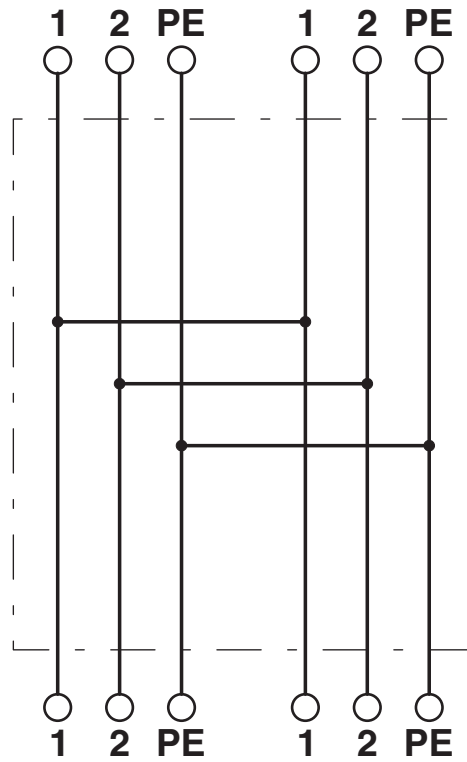
QPD H 2PE1,5 4X8-13 BK - H distributor

1414720

<https://www.phoenixcontact.com/us/products/1414720>



Circuit diagram



QPD H 2PE1,5 4X8-13 BK - H distributor



1414720

<https://www.phoenixcontact.com/us/products/1414720>

Approvals

To download certificates, visit the product detail page: <https://www.phoenixcontact.com/us/products/1414720>



IECEE CB Scheme
Approval ID: DE1-65875



DNV GL
Approval ID: TAE00003J5



VDE Zeichengenehmigung
Approval ID: 40029149



UL Listed
Approval ID: E468743

| | Nominal voltage U_N | Nominal current I_N | Cross section AWG | Cross section mm^2 |
|-------|-----------------------|-----------------------|-------------------|-----------------------------|
| keine | | | | |
| | 600 V | 8 A | - 16 | - |



cUL Listed
Approval ID: E468743

| | Nominal voltage U_N | Nominal current I_N | Cross section AWG | Cross section mm^2 |
|-------|-----------------------|-----------------------|-------------------|-----------------------------|
| keine | | | | |
| | 600 V | 8 A | - 16 | - |

QPD H 2PE1,5 4X8-13 BK - H distributor



1414720

<https://www.phoenixcontact.com/us/products/1414720>

Classifications

ECLASS

| | |
|-------------|----------|
| ECLASS-13.0 | 27440603 |
| ECLASS-15.0 | 27440603 |

ETIM

| | |
|-----------|----------|
| ETIM 10.0 | EC002567 |
|-----------|----------|

UNSPSC

| | |
|-------------|----------|
| UNSPSC 21.0 | 39121400 |
|-------------|----------|

1414720

<https://www.phoenixcontact.com/us/products/1414720>

Environmental product compliance

EU RoHS

| | |
|---|--------------------|
| Fulfills EU RoHS substance requirements | Yes, No exemptions |
|---|--------------------|

China RoHS

| | |
|--|--|
| Environment friendly use period (EFUP) | EFUP-E |
| | No hazardous substances above the limits |

EU REACH SVHC

| | |
|-------------------------------------|----------------------------|
| REACH candidate substance (CAS No.) | No substance above 0.1 wt% |
|-------------------------------------|----------------------------|

EF3.1 Climate Change

| | |
|---------|---------------|
| CO2e kg | 1.144 kg CO2e |
|---------|---------------|

Phoenix Contact 2026 © - all rights reserved
<https://www.phoenixcontact.com>

Phoenix Contact USA
586 Fulling Mill Road
Middletown, PA 17057, United States
(+717) 944-1300
info@phoenixcon.com