

QPD C 3PE1,5 2X4-9 BK - Conductor connector



1414696

<https://www.phoenixcontact.com/us/products/1414696>

Please be informed that the data shown in this PDF document is generated from our online catalog. Please find the complete data in the user documentation. Our general terms of use for downloads are valid.



Conductor connector, connection method: IDC connection, number of positions: 3+PE, 0.5 mm² .. 1.5 mm², 690 V, 17.5 A, PA, black, With two QUICKON nuts, coding: Coding profile, external cable diameter: 5 mm ... 7 mm and 7 mm ... 9.5 mm

Your advantages

- Innovative and time saving - QUICKON fast connection for time saving of up to 80 % for on-site connection
- Robust throughout: housing with IP68/IP69K and IK07 protection for a wide range of applications
- Safer connection with mechanical coding to protect against mismatching, and touch-proof protection in accordance with DIN EN 0105
- Easy and safe - with the cable connector, you can repair or extend cables quickly, in combination with the connector as well as the coupling connection

Commercial data

Item number	1414696
Packing unit	1 pc
Minimum order quantity	1 pc
Sales key	BF50
Product key	AF6CBA
GTIN	4055626031484
Weight per piece (including packing)	50 g
Weight per piece (excluding packing)	45.3 g
Customs tariff number	85366990
Country of origin	PL

QPD C 3PE1,5 2X4-9 BK - Conductor connector



1414696

<https://www.phoenixcontact.com/us/products/1414696>

Technical data

Product properties

Product type	Cable connector
Product family	QPD
Type	QPD 4x1,5
Number of positions	4
Connection profile	3+PE
Position marking	1, 2, 3, PE
Number of connections per position	1
Coding	Coding profile

Insulation characteristics

Overvoltage category	III
Degree of pollution	3

Dimensions

Dimensional drawing	
Width	25 mm
Height	25 mm
Length	89.4 mm
Diameter	25 mm

Connection data

Connection technology

Frequency of connections between conductors of the same cross section	max. 10
---	---------

Conductor connection

Tightening torque	8 Nm
	5 Nm
Tightening torque Union nut	8 Nm
Tightening torque Locking nut	5 Nm

Electrical properties

Rated surge voltage (II/2)	8 kV
Rated surge voltage (III/2)	8 kV
Rated surge voltage (III/3)	6 kV
Rated current	17.5 A
Contact resistance	< 3 mΩ
rated voltage (II/2)	1000 V

QPD C 3PE1,5 2X4-9 BK - Conductor connector



1414696

<https://www.phoenixcontact.com/us/products/1414696>

rated voltage (III/2)	1000 V
Rated voltage (III/3)	690 V
Nominal voltage U_N	690 V AC
	690 V DC
Nominal current I_N	17.5 A

Mechanical properties

Mechanical data

Insertion/withdrawal cycles	max. 50
-----------------------------	---------

Material specifications

Color	black (RAL 9005)
Material Housing	PA
Material Contact	Cu
Material Contact surface	silver-plated
Flammability rating according to UL 94	V0
Material wire insulation	PVC/PE/TPE/rubber

Cable/line

Structure of individual litz in acc. with VDE 0295 / smallest wire diameter	VDE 0295 class 1 to 6/min. 0.15 mm
External cable diameter	5 mm ... 7 mm
	7 mm ... 9.5 mm
Wire diameter including insulation	1.6 mm ... 3 mm
Position marking	1, 2, 3, PE
Material wire insulation	PVC/PE/TPE/rubber
Halogen-free	yes

Environmental and real-life conditions

Ambient conditions

Degree of protection	IP66
	IP68 (2 m / 24 h)
	IP69K
	Touch-proof when not plugged in (IP2X)
Impact strength	IK07
Ambient temperature (operation)	-40 °C ... 100 °C
Temperature when conductor connected	-5 °C ... 50 °C
Ambient temperature (storage/transport)	-40 °C ... 100 °C

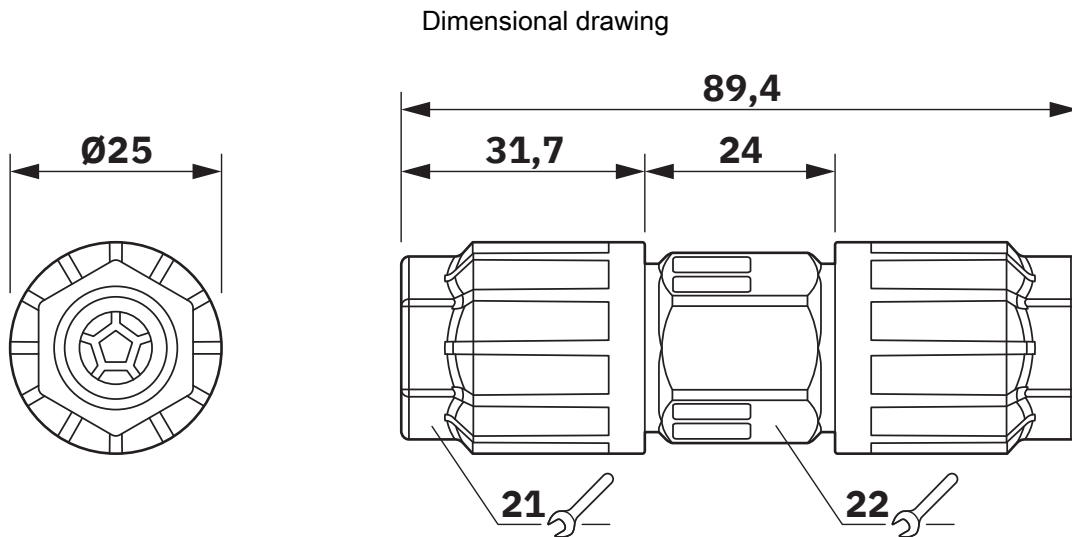
QPD C 3PE1,5 2X4-9 BK - Conductor connector



1414696

<https://www.phoenixcontact.com/us/products/1414696>

Drawings



Dimensional drawing

QPD C 3PE1,5 2X4-9 BK - Conductor connector



1414696

<https://www.phoenixcontact.com/us/products/1414696>

Approvals

To download certificates, visit the product detail page: <https://www.phoenixcontact.com/us/products/1414696>



IECEE CB Scheme
Approval ID: DE1-65875



DNV GL
Approval ID: TAE00003J5



VDE Zeichengenehmigung
Approval ID: 40029149



UL Listed
Approval ID: E468743

	Nominal voltage U_N	Nominal current I_N	Cross section AWG	Cross section mm^2
keine				
	600 V	8 A	- 16	-



cUL Listed
Approval ID: E468743

	Nominal voltage U_N	Nominal current I_N	Cross section AWG	Cross section mm^2
keine				
	600 V	8 A	- 16	-

QPD C 3PE1,5 2X4-9 BK - Conductor connector



1414696

<https://www.phoenixcontact.com/us/products/1414696>

Classifications

ECLASS

ECLASS-13.0	27440605
ECLASS-15.0	27440605

ETIM

ETIM 10.0	EC002560
-----------	----------

UNSPSC

UNSPSC 21.0	39121400
-------------	----------

QPD C 3PE1,5 2X4-9 BK - Conductor connector



1414696

<https://www.phoenixcontact.com/us/products/1414696>

Environmental product compliance

EU RoHS

Fulfills EU RoHS substance requirements	Yes, No exemptions
---	--------------------

China RoHS

Environment friendly use period (EFUP)	EFUP-E
	No hazardous substances above the limits

EU REACH SVHC

REACH candidate substance (CAS No.)	No substance above 0.1 wt%
-------------------------------------	----------------------------

EF3.1 Climate Change

CO2e kg	2.053 kg CO2e
---------	---------------

Phoenix Contact 2026 © - all rights reserved
<https://www.phoenixcontact.com>

Phoenix Contact USA
586 Fulling Mill Road
Middletown, PA 17057, United States
(+717) 944-1300
info@phoenixcon.com