

HC-D25-BC-HI-PLBK - Protective cover



1414674

<https://www.phoenixcontact.com/us/products/1414674>

Please be informed that the data shown in this PDF document is generated from our online catalog. Please find the complete data in the user documentation. Our general terms of use for downloads are valid.

Protective cover D25, for single locking latch, protective cover material: PC, height: 15.2 mm, seal: no



Commercial data

Item number	1414674
Packing unit	1 pc
Minimum order quantity	1 pc
Sales key	BF66
Product key	AF7AZC
GTIN	4055626031255
Weight per piece (including packing)	33.4 g
Weight per piece (excluding packing)	33 g
Customs tariff number	39269097
Country of origin	PL

HC-D25-BC-HI-PLBK - Protective cover

1414674

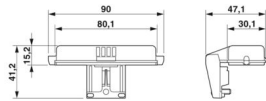
<https://www.phoenixcontact.com/us/products/1414674>

Technical data

Product properties

Product type	Protective cover
Housing type	Protective cover
Type	D25
Retaining cord present	no
Seal present	no

Dimensions

Dimensional drawing	
Width	30.1 mm
Height	15.2 mm
Length	80.1 mm

Material specifications

Material Protective cover	PC
Flammability rating according to UL 94	V0
Material, protective cover	PC

Environmental and real-life conditions

Ambient conditions

Degree of protection	IP66
	IP66
Ambient temperature (operation)	-20 °C ... 100 °C

HC-D25-BC-HI-PLBK - Protective cover

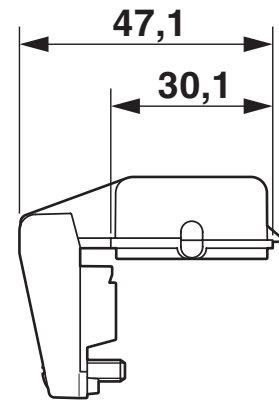
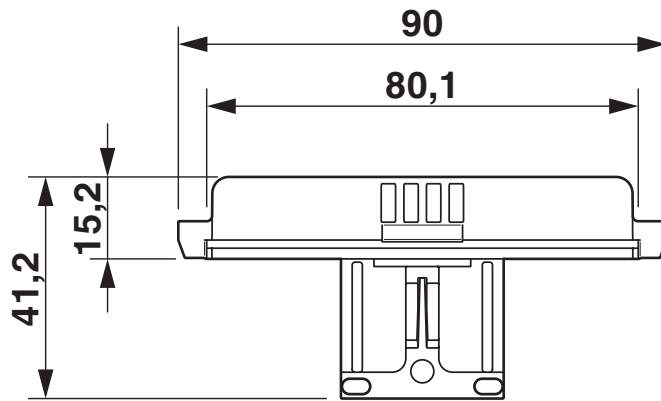


1414674

<https://www.phoenixcontact.com/us/products/1414674>

Drawings

Dimensional drawing



Dimensional drawing

HC-D25-BC-HI-PLBK - Protective cover



1414674

<https://www.phoenixcontact.com/us/products/1414674>

Approvals

To download certificates, visit the product detail page: <https://www.phoenixcontact.com/us/products/1414674>



EAC

Approval ID: RU C-DE.AI30.B.01102

HC-D25-BC-HI-PLBK - Protective cover



1414674

<https://www.phoenixcontact.com/us/products/1414674>

Classifications

ECLASS

ECLASS-13.0	27440208
ECLASS-15.0	27440208

ETIM

ETIM 10.0	EC002314
-----------	----------

UNSPSC

UNSPSC 21.0	39121400
-------------	----------

HC-D25-BC-HI-PLBK - Protective cover



1414674

<https://www.phoenixcontact.com/us/products/1414674>

Environmental product compliance

EU RoHS

Fulfills EU RoHS substance requirements	Yes, No exemptions
---	--------------------

China RoHS

Environment friendly use period (EFUP)	EFUP-E
	No hazardous substances above the limits

EU REACH SVHC

REACH candidate substance (CAS No.)	No substance above 0.1 wt%
-------------------------------------	----------------------------

EF3.1 Climate Change

CO2e kg	0.481 kg CO2e
---------	---------------

Phoenix Contact 2026 © - all rights reserved
<https://www.phoenixcontact.com>

Phoenix Contact USA
586 Fulling Mill Road
Middletown, PA 17057, United States
(+717) 944-1300
info@phoenixcon.com