

HC-D15-SL-PLBK - Housing brackets



1414667

<https://www.phoenixcontact.com/us/products/1414667>

Please be informed that the data shown in this PDF document is generated from our online catalog. Please find the complete data in the user documentation. Our general terms of use for downloads are valid.



Replacement single locking latch, plastic, for HC-EVO-D15....BK and HC-STA-D15....AL housings

Commercial data

Item number	1414667
Packing unit	10 pc
Minimum order quantity	1 pc
Sales key	BF66
Product key	AF7APZ
GTIN	4055626031187
Weight per piece (including packing)	11.18 g
Weight per piece (excluding packing)	11.18 g
Customs tariff number	39269097
Country of origin	PL

HC-D15-SL-PLBK - Housing brackets



1414667

<https://www.phoenixcontact.com/us/products/1414667>

Technical data

Product properties

Product type	Housing latches
Type	D15

Material specifications

Material	PA
Locking latch material	PA

Environmental and real-life conditions

Ambient conditions

Ambient temperature (operation)	-40 °C ... 125 °C
---------------------------------	-------------------

Mounting

Assembly note	For HC-EVO-D15...BK housing
---------------	-----------------------------

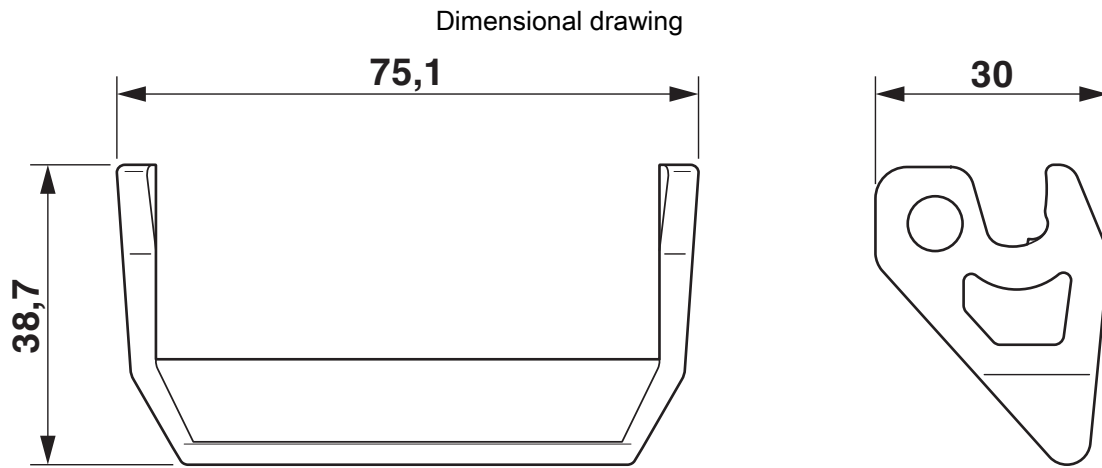
HC-D15-SL-PLBK - Housing brackets

1414667

<https://www.phoenixcontact.com/us/products/1414667>



Drawings



Dimensional drawing

HC-D15-SL-PLBK - Housing brackets



1414667

<https://www.phoenixcontact.com/us/products/1414667>

Approvals

To download certificates, visit the product detail page: <https://www.phoenixcontact.com/us/products/1414667>



EAC

Approval ID: RU C-DE.AI30.B.01102

HC-D15-SL-PLBK - Housing brackets



1414667

<https://www.phoenixcontact.com/us/products/1414667>

Classifications

ECLASS

ECLASS-13.0	27440192
ECLASS-15.0	27440192

ETIM

ETIM 10.0	EC002943
-----------	----------

UNSPSC

UNSPSC 21.0	39121400
-------------	----------

HC-D15-SL-PLBK - Housing brackets



1414667

<https://www.phoenixcontact.com/us/products/1414667>

Environmental product compliance

EU RoHS

Fulfills EU RoHS substance requirements	Yes, No exemptions
---	--------------------

China RoHS

Environment friendly use period (EFUP)	EFUP-E
	No hazardous substances above the limits

EU REACH SVHC

REACH candidate substance (CAS No.)	No substance above 0.1 wt%
-------------------------------------	----------------------------

Phoenix Contact 2026 © - all rights reserved
<https://www.phoenixcontact.com>

Phoenix Contact USA
586 Fulling Mill Road
Middletown, PA 17057, United States
(+717) 944-1300
info@phoenixcon.com