

# HC-B-GB-M40-ER-AL - Cable gland



1414666

<https://www.phoenixcontact.com/us/products/1414666>

Please be informed that the data shown in this PDF document is generated from our online catalog. Please find the complete data in the user documentation. Our general terms of use for downloads are valid.

Set consisting of: EVO metal adapter 1414259 and metal screw connection with bending armor rod 1415185, M40



## Commercial data

Item number	1414666
Packing unit	1 pc
Minimum order quantity	1 pc
Sales key	BF57
Product key	AF7APM
GTIN	4055626031170
Weight per piece (including packing)	697.3 g
Weight per piece (excluding packing)	697.3 g
Customs tariff number	85389099
Country of origin	DE

# HC-B-GB-M40-ER-AL - Cable gland

1414666

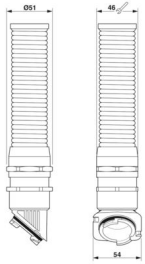
<https://www.phoenixcontact.com/us/products/1414666>

## Technical data

### Product properties

Product type	Cable screw gland
No. of conductors	1
Type of the screw connection	M40
Shielded	no

### Dimensions

Dimensional drawing	
Wrench size, union nut	46 mm
Wrench size, support	46 mm

### Material specifications

Color	brass color
Material Pressure screw	Brass, nickel-plated
Seal material	EPDM
Seal material O-ring	NBR
Material for screw connection	Brass, nickel-plated

### Cable/line

External cable diameter Cable 1	16 mm ... 28 mm
---------------------------------	-----------------

### Environmental and real-life conditions

#### Ambient conditions

Degree of protection	IP66
	IP67
Ambient temperature (operation)	-40 °C ... 100 °C

# HC-B-GB-M40-ER-AL - Cable gland

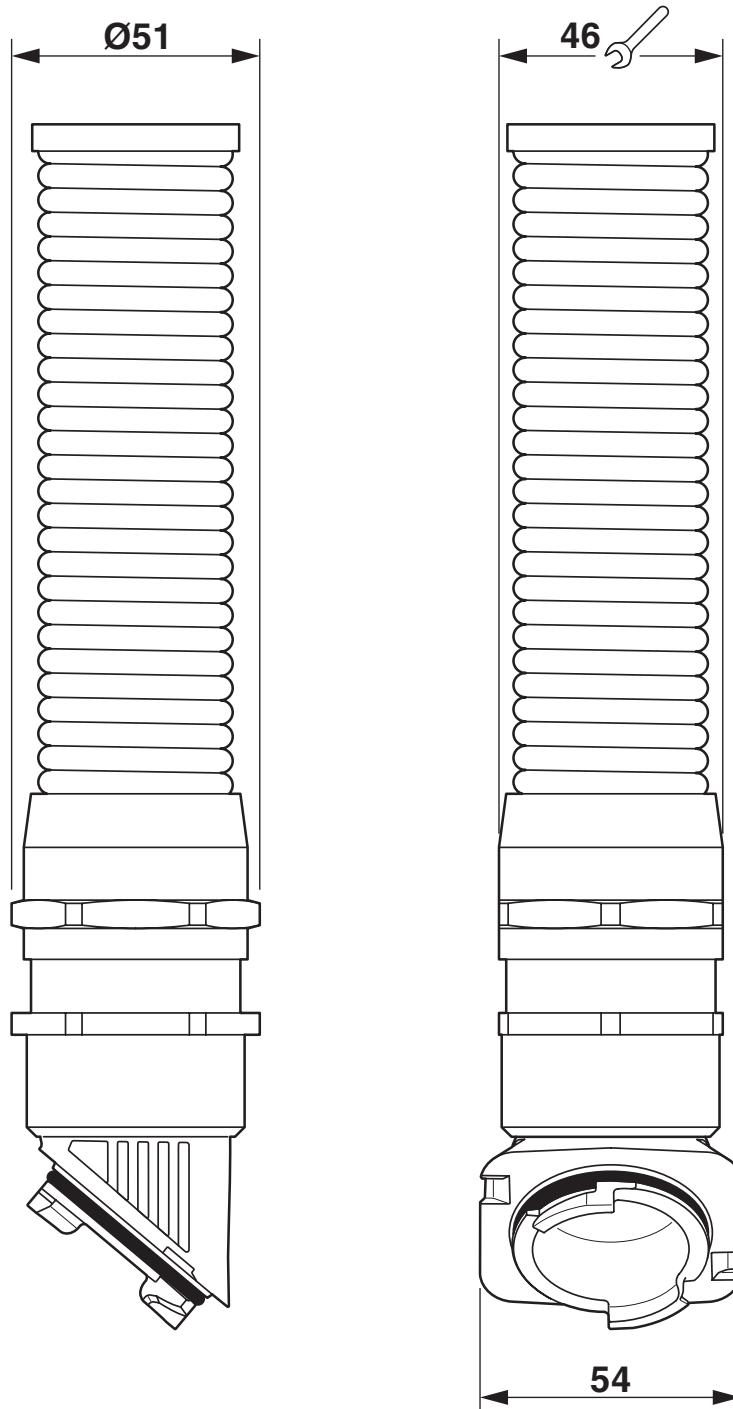
1414666

<https://www.phoenixcontact.com/us/products/1414666>



## Drawings

Dimensional drawing



Dimensional drawing

# HC-B-GB-M40-ER-AL - Cable gland



1414666

<https://www.phoenixcontact.com/us/products/1414666>

## Approvals

🔗 To download certificates, visit the product detail page: <https://www.phoenixcontact.com/us/products/1414666>



**EAC**

Approval ID: RU C-DE.AI30.B.01102



**EAC-RoHS**

Approval ID: RU D-DE.HB35.B.00387

# HC-B-GB-M40-ER-AL - Cable gland



1414666

<https://www.phoenixcontact.com/us/products/1414666>

## Classifications

### ECLASS

ECLASS-13.0	27140801
ECLASS-15.0	27140801

### ETIM

ETIM 10.0	EC000441
-----------	----------

### UNSPSC

UNSPSC 21.0	39121300
-------------	----------

# HC-B-GB-M40-ER-AL - Cable gland



1414666

<https://www.phoenixcontact.com/us/products/1414666>

## Environmental product compliance

### EU RoHS

Fulfills EU RoHS substance requirements	Yes
Exemption	6(c)

### China RoHS

Environment friendly use period (EFUP)	EFUP-50
	An article-related China RoHS declaration table can be found in the download area for the respective article under "Manufacturer declaration". For all articles with EFUP-E, no China RoHS declaration table issued and required.

### EU REACH SVHC

REACH candidate substance (CAS No.)	Lead(CAS: 7439-92-1)
SCIP	f67dda5d-88bf-456e-b9dd-9bd861f2d354

Phoenix Contact 2026 © - all rights reserved  
<https://www.phoenixcontact.com>

Phoenix Contact USA  
586 Fulling Mill Road  
Middletown, PA 17057, United States  
(+717) 944-1300  
[info@phoenixcon.com](mailto:info@phoenixcon.com)