

HC-B-GB-M20-ER-AL - Cable gland



1414663

<https://www.phoenixcontact.com/us/products/1414663>

Please be informed that the data shown in this PDF document is generated from our online catalog. Please find the complete data in the user documentation. Our general terms of use for downloads are valid.

Set consisting of: EVO metal adapter 1414256, metal screw connection with bending armor rod 1415182, M20



Commercial data

Item number	1414663
Packing unit	1 pc
Minimum order quantity	1 pc
Sales key	BF57
Product key	AF7APM
GTIN	4055626031149
Weight per piece (including packing)	212.4 g
Weight per piece (excluding packing)	22.22 g
Customs tariff number	85389099
Country of origin	DE

HC-B-GB-M20-ER-AL - Cable gland

1414663

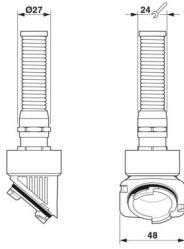
<https://www.phoenixcontact.com/us/products/1414663>

Technical data

Product properties

Product type	Cable screw gland
No. of conductors	1
Type of the screw connection	M20
Shielded	no

Dimensions

Dimensional drawing	
Wrench size, union nut	24 mm
Wrench size, support	24 mm

Material specifications

Color	brass color
Material Pressure screw	Brass, nickel-plated
Seal material	EPDM
Seal material O-ring	NBR
Material for screw connection	Brass, nickel-plated

Cable/line

External cable diameter Cable 1	6 mm ... 13 mm
---------------------------------	----------------

Environmental and real-life conditions

Ambient conditions

Degree of protection	IP66 IP67
Ambient temperature (operation)	-40 °C ... 100 °C

HC-B-GB-M20-ER-AL - Cable gland

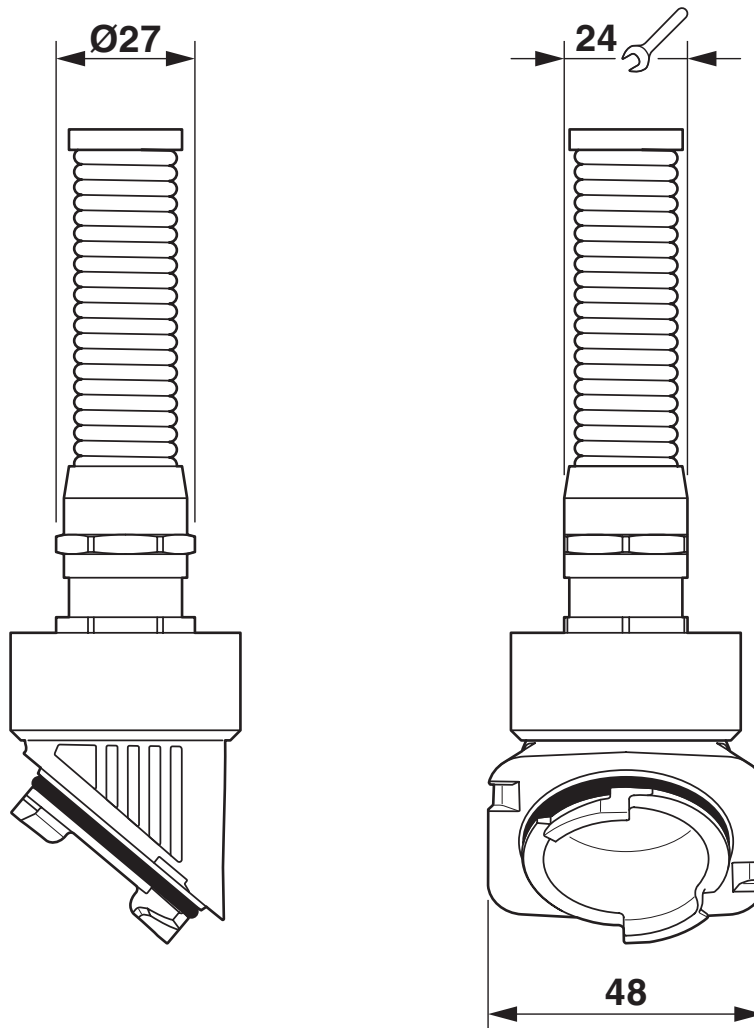
1414663

<https://www.phoenixcontact.com/us/products/1414663>



Drawings

Dimensional drawing



Dimensional drawing

HC-B-GB-M20-ER-AL - Cable gland



1414663

<https://www.phoenixcontact.com/us/products/1414663>

Approvals

🔗 To download certificates, visit the product detail page: <https://www.phoenixcontact.com/us/products/1414663>



EAC

Approval ID: RU C-DE.AI30.B.01102



EAC-RoHS

Approval ID: RU D-DE.HB35.B.00387

HC-B-GB-M20-ER-AL - Cable gland



1414663

<https://www.phoenixcontact.com/us/products/1414663>

Classifications

ECLASS

ECLASS-13.0	27140801
ECLASS-15.0	27140801

ETIM

ETIM 10.0	EC000441
-----------	----------

UNSPSC

UNSPSC 21.0	39121300
-------------	----------

HC-B-GB-M20-ER-AL - Cable gland



1414663

<https://www.phoenixcontact.com/us/products/1414663>

Environmental product compliance

EU RoHS

Fulfills EU RoHS substance requirements	Yes
Exemption	6(c)

China RoHS

Environment friendly use period (EFUP)	EFUP-50
	An article-related China RoHS declaration table can be found in the download area for the respective article under "Manufacturer declaration". For all articles with EFUP-E, no China RoHS declaration table issued and required.

EU REACH SVHC

REACH candidate substance (CAS No.)	Lead(CAS: 7439-92-1)
SCIP	5fba3fb6-7f88-43df-b151-e310def2173b

EF3.1 Climate Change

CO2e kg	12.702 kg CO2e
---------	----------------

Phoenix Contact 2026 © - all rights reserved
<https://www.phoenixcontact.com>

Phoenix Contact USA
586 Fulling Mill Road
Middletown, PA 17057, United States
(+717) 944-1300
info@phoenixcon.com