

HC-B-GB-M25-PLRBK - Cable gland



1414661

<https://www.phoenixcontact.com/us/products/1414661>

Please be informed that the data shown in this PDF document is generated from our online catalog. Please find the complete data in the user documentation. Our general terms of use for downloads are valid.

Set consisting of: EVO plastic adapter 1414244 and plastic screw connection with bending armor rod 1415180, M25



Commercial data

Item number	1414661
Packing unit	1 pc
Minimum order quantity	1 pc
Sales key	BF57
Product key	AF7APL
GTIN	4055626031125
Weight per piece (including packing)	55.2 g
Weight per piece (excluding packing)	54.957 g
Customs tariff number	39269097
Country of origin	PL

HC-B-GB-M25-PLRBK - Cable gland

1414661

<https://www.phoenixcontact.com/us/products/1414661>



Set consists of

HC-B-TA-M25-PLR-BK - Adapter

1414244

<https://www.phoenixcontact.com/us/products/1414244>



Plastic thread adapter with bayonet lock, for EVO housing series B, M25 thread

G-INB-M25-M68N-PEPDS-BK - Cable gland

1415180

<https://www.phoenixcontact.com/us/products/1415180>



Cable gland, material for screw connection: PA, application: Standard, external cable diameter 9 mm ... 17 mm, shielding: no, connecting thread: M25 x 1.5, color: jet black RAL 9005, with bend protection sleeve

HC-B-GB-M25-PLRBK - Cable gland

1414661

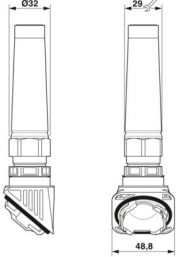
<https://www.phoenixcontact.com/us/products/1414661>

Technical data

Product properties

Product type	Cable screw gland
No. of conductors	1
Type of the screw connection	M25
Shielded	no
Execution of the strain relief	A

Dimensions

Dimensional drawing	
Wrench size, union nut	29 mm
Wrench size, support	29 mm
Thread pitch	1.5 mm

Material specifications

Color	black (RAL 9005)
Seal material	EPDM
Seal material O-ring	NBR
Housing material	PA
Material for screw connection	PA

Cable/line

External cable diameter Cable 1	9 mm ... 17 mm
---------------------------------	----------------

Environmental and real-life conditions

Ambient conditions

Degree of protection	IP66
Ambient temperature (operation)	-40 °C ... 100 °C

HC-B-GB-M25-PLRBK - Cable gland

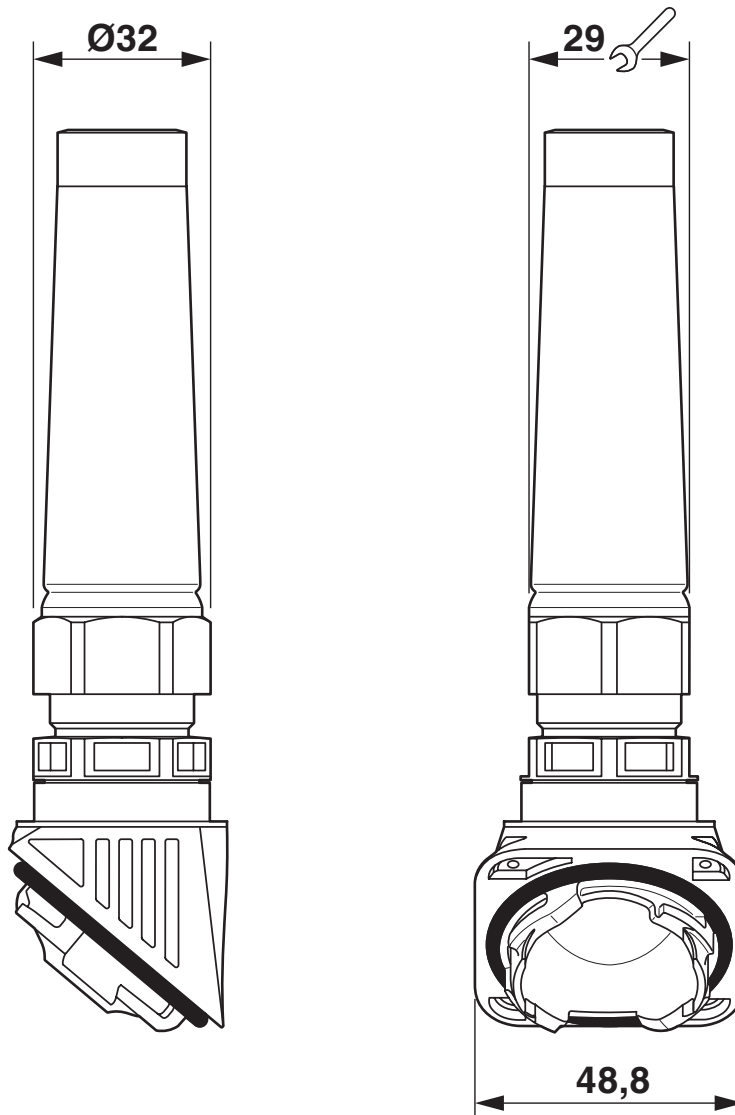
1414661

<https://www.phoenixcontact.com/us/products/1414661>



Drawings

Dimensional drawing



Dimensional drawing

HC-B-GB-M25-PLRBK - Cable gland



1414661

<https://www.phoenixcontact.com/us/products/1414661>

Approvals

To download certificates, visit the product detail page: <https://www.phoenixcontact.com/us/products/1414661>



EAC

Approval ID: RU C-DE.AI30.B.01102



EAC-RoHS

Approval ID: RU D-DE.HB35.B.00387

HC-B-GB-M25-PLRBK - Cable gland



1414661

<https://www.phoenixcontact.com/us/products/1414661>

Classifications

ECLASS

ECLASS-13.0	27140801
ECLASS-15.0	27140801

ETIM

ETIM 10.0	EC000441
-----------	----------

UNSPSC

UNSPSC 21.0	39121300
-------------	----------

HC-B-GB-M25-PLRBK - Cable gland



1414661

<https://www.phoenixcontact.com/us/products/1414661>

Environmental product compliance

EU RoHS

Fulfills EU RoHS substance requirements	Yes, No exemptions
---	--------------------

China RoHS

Environment friendly use period (EFUP)	EFUP-E
	No hazardous substances above the limits

EU REACH SVHC

REACH candidate substance (CAS No.)	No substance above 0.1 wt%
-------------------------------------	----------------------------

EF3.1 Climate Change

CO2e kg	0.395 kg CO2e
---------	---------------

Phoenix Contact 2026 © - all rights reserved
<https://www.phoenixcontact.com>

Phoenix Contact USA
586 Fulling Mill Road
Middletown, PA 17057, United States
(+717) 944-1300
info@phoenixcon.com