

HC-B-GTRS-M25-ER-AL - Cable gland



1414657

<https://www.phoenixcontact.com/us/products/1414657>

Please be informed that the data shown in this PDF document is generated from our online catalog. Please find the complete data in the user documentation. Our general terms of use for downloads are valid.



Set consisting of: EVO metal adapter 141425 and screw connection with terminal block 1415193, M25

Commercial data

Item number	1414657
Packing unit	1 pc
Minimum order quantity	1 pc
Sales key	BF57
Product key	AF7APM
GTIN	4055626031088
Weight per piece (including packing)	219.9 g
Weight per piece (excluding packing)	219.9 g
Customs tariff number	85389099
Country of origin	DE

HC-B-GTRS-M25-ER-AL - Cable gland

1414657

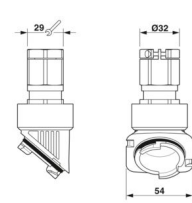
<https://www.phoenixcontact.com/us/products/1414657>

Technical data

Product properties

Product type	Cable screw gland
No. of conductors	1
Type of the screw connection	M25
Shielded	no

Dimensions

Dimensional drawing	
Wrench size, union nut	29 mm
Wrench size, support	29 mm

Material specifications

Color	brass color
Material Pressure screw	Brass, nickel-plated
Seal material	EPDM
Seal material O-ring	NBR
Material for screw connection	Brass, nickel-plated

Cable/line

External cable diameter Cable 1	9 mm ... 17 mm
---------------------------------	----------------

Environmental and real-life conditions

Ambient conditions

Degree of protection	IP66
	IP67
Ambient temperature (operation)	-40 °C ... 100 °C

HC-B-GTRS-M25-ER-AL - Cable gland

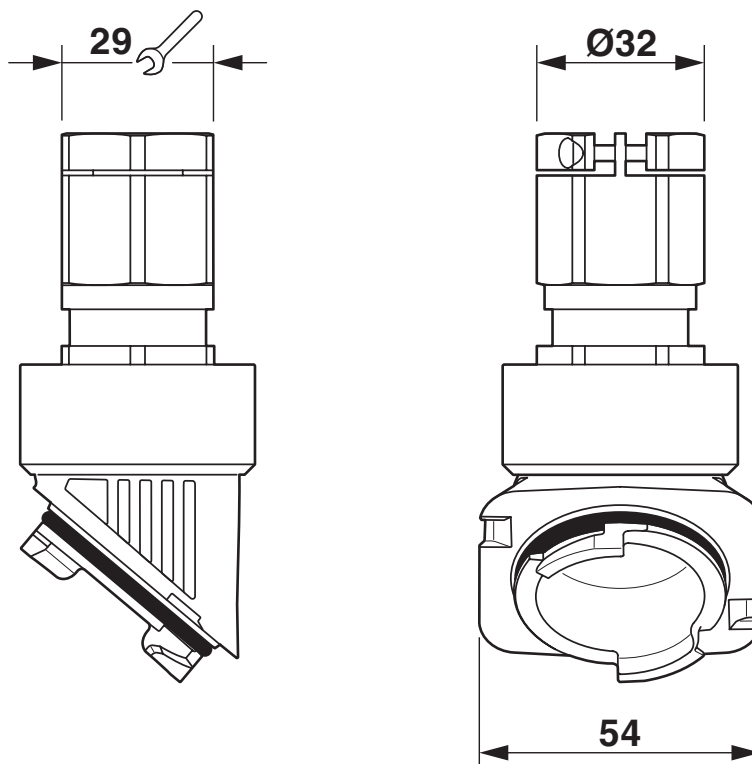
1414657

<https://www.phoenixcontact.com/us/products/1414657>



Drawings

Dimensional drawing



Dimensional drawing

HC-B-GTRS-M25-ER-AL - Cable gland



1414657

<https://www.phoenixcontact.com/us/products/1414657>

Approvals

🔗 To download certificates, visit the product detail page: <https://www.phoenixcontact.com/us/products/1414657>



EAC

Approval ID: RU C-DE.AI30.B.01102



EAC-RoHS

Approval ID: RU D-DE.HB35.B.00387

HC-B-GTRS-M25-ER-AL - Cable gland



1414657

<https://www.phoenixcontact.com/us/products/1414657>

Classifications

ECLASS

ECLASS-13.0	27140801
ECLASS-15.0	27140801

ETIM

ETIM 10.0	EC000441
-----------	----------

UNSPSC

UNSPSC 21.0	39121300
-------------	----------

1414657

<https://www.phoenixcontact.com/us/products/1414657>

Environmental product compliance

EU RoHS

Fulfills EU RoHS substance requirements	Yes
Exemption	6(c)

China RoHS

Environment friendly use period (EFUP)	EFUP-50
	An article-related China RoHS declaration table can be found in the download area for the respective article under "Manufacturer declaration". For all articles with EFUP-E, no China RoHS declaration table issued and required.

EU REACH SVHC

REACH candidate substance (CAS No.)	Lead(CAS: 7439-92-1)
SCIP	80e952e9-4721-4e3e-8490-792f57cfae88

EF3.1 Climate Change

CO2e kg	10.404 kg CO2e
---------	----------------

Phoenix Contact 2026 © - all rights reserved
<https://www.phoenixcontact.com>

Phoenix Contact USA
586 Fulling Mill Road
Middletown, PA 17057, United States
(+717) 944-1300
info@phoenixcon.com