

# HC-B-GTRS-M20-PLRBK - Cable gland



1414651

<https://www.phoenixcontact.com/us/products/1414651>

Please be informed that the data shown in this PDF document is generated from our online catalog. Please find the complete data in the user documentation. Our general terms of use for downloads are valid.

Set consisting of: EVO plastic adapter 1414243 and plastic screw connection with terminal block 1415189, M20



## Commercial data

Item number	1414651
Packing unit	1 pc
Minimum order quantity	1 pc
Sales key	BF57
Product key	AF7APL
GTIN	4055626031033
Weight per piece (including packing)	38.7 g
Weight per piece (excluding packing)	22.22 g
Customs tariff number	39269097
Country of origin	PL

# HC-B-GTRS-M20-PLRBK - Cable gland

1414651

<https://www.phoenixcontact.com/us/products/1414651>

## Set consists of

### HC-B-TA-M20-PLR-BK - Adapter

1414243

<https://www.phoenixcontact.com/us/products/1414243>



Plastic thread adapter with bayonet lock, for EVO housing series B, M20 thread

---

### G-INTRO-M20-S68N-PEPDS-BK - Cable gland

1415189

<https://www.phoenixcontact.com/us/products/1415189>



Cable gland, material for screw connection: PA, application: Standard, external cable diameter 6 mm ... 13 mm, shielding: no, connecting thread: M20 x 1.5, color: jet black, with external strain relief

# HC-B-GTRS-M20-PLRBK - Cable gland

1414651

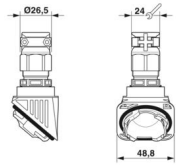
<https://www.phoenixcontact.com/us/products/1414651>

## Technical data

### Product properties

Product type	Cable screw gland
No. of conductors	1
Type of the screw connection	M20
Shielded	no
Execution of the strain relief	A

### Dimensions

Dimensional drawing	
Wrench size, union nut	24 mm
Wrench size, support	24 mm
Thread pitch	1.5 mm

### Material specifications

Color	black (RAL 9005)
Seal material	EPDM
Seal material O-ring	NBR
Housing material	PA
Material for screw connection	PA

### Cable/line

External cable diameter Cable 1	6 mm ... 13 mm
---------------------------------	----------------

### Environmental and real-life conditions

#### Ambient conditions

Degree of protection	IP66
Ambient temperature (operation)	-40 °C ... 100 °C

# HC-B-GTRS-M20-PLRBK - Cable gland

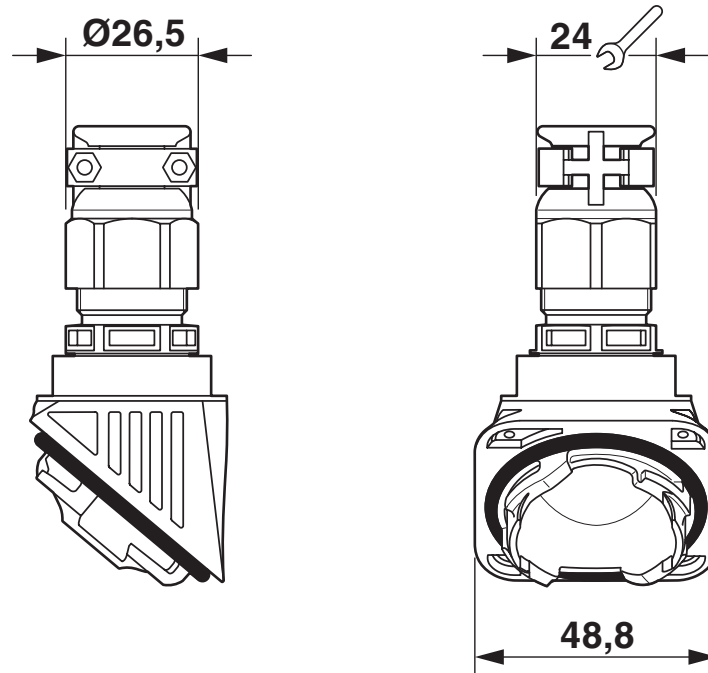
1414651

<https://www.phoenixcontact.com/us/products/1414651>



## Drawings

Dimensional drawing



Dimensional drawing

# HC-B-GTRS-M20-PLRBK - Cable gland



1414651

<https://www.phoenixcontact.com/us/products/1414651>

## Approvals

🔗 To download certificates, visit the product detail page: <https://www.phoenixcontact.com/us/products/1414651>



**EAC**

Approval ID: RU C-DE.AI30.B.01102



**EAC-RoHS**

Approval ID: RU D-DE.HB35.B.00387

# HC-B-GTRS-M20-PLRBK - Cable gland



1414651

<https://www.phoenixcontact.com/us/products/1414651>

## Classifications

### ECLASS

ECLASS-13.0	27140801
ECLASS-15.0	27140801

### ETIM

ETIM 10.0	EC000441
-----------	----------

### UNSPSC

UNSPSC 21.0	39121300
-------------	----------

# HC-B-GTRS-M20-PLRBK - Cable gland



1414651

<https://www.phoenixcontact.com/us/products/1414651>

## Environmental product compliance

### EU RoHS

Fulfills EU RoHS substance requirements	Yes, No exemptions
---	--------------------

### China RoHS

Environment friendly use period (EFUP)	EFUP-E
	No hazardous substances above the limits

### EU REACH SVHC

REACH candidate substance (CAS No.)	No substance above 0.1 wt%
-------------------------------------	----------------------------

### EF3.1 Climate Change

CO2e kg	0.393 kg CO2e
---------	---------------

Phoenix Contact 2026 © - all rights reserved  
<https://www.phoenixcontact.com>

Phoenix Contact USA  
586 Fulling Mill Road  
Middletown, PA 17057, United States  
(+717) 944-1300  
[info@phoenixcon.com](mailto:info@phoenixcon.com)