

HC-B-GM5X8,5-M40-ET-AL - Cable gland

1414649

<https://www.phoenixcontact.com/us/products/1414649>

Please be informed that the data shown in this PDF document is generated from our online catalog. Please find the complete data in the user documentation. Our general terms of use for downloads are valid.



EVO metal cable gland with bayonet locking; size M40, for 5 conductors with 8.5 mm cable diameter

Commercial data

| | |
|--------------------------------------|---------------|
| Item number | 1414649 |
| Packing unit | 1 pc |
| Minimum order quantity | 1 pc |
| Sales key | BF57 |
| Product key | AF7APM |
| GTIN | 4055626031019 |
| Weight per piece (including packing) | 133.6 g |
| Weight per piece (excluding packing) | 127.8 g |
| Customs tariff number | 85389099 |
| Country of origin | DE |

HC-B-GM5X8,5-M40-ET-AL - Cable gland

1414649

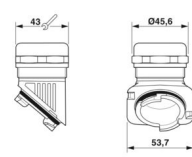
<https://www.phoenixcontact.com/us/products/1414649>

Technical data

Product properties

| | |
|--------------------------------|-------------------|
| Product type | Cable screw gland |
| No. of conductors | 5 |
| Type of the screw connection | M40 |
| Shielded | no |
| Execution of the strain relief | B |

Dimensions

| | |
|------------------------|--|
| Dimensional drawing |  |
| Wrench size, union nut | 43 mm |
| Thread pitch | 1.5 mm |

Material specifications

| | |
|-------------------------------|--|
| Color | aluminum color |
| Material Pressure screw | Brass |
| Housing material | Die-cast aluminum, corrosion resistant |
| Material for screw connection | Aluminum |

Cable/line

| | |
|---------------------------------|-----------------------------------|
| External cable diameter Cable 1 | 8.4 mm ... 8.6 mm (Cable 1 ... 5) |
|---------------------------------|-----------------------------------|

Environmental and real-life conditions

Ambient conditions

| | |
|---------------------------------|---|
| Degree of protection | IP66 (Cable diameter 8.5 mm \pm 0.1 mm) |
| Enclosure rating (NEMA) | 4 (UL 50e) |
| | 4X (UL 50e) |
| | 12 (UL 50e) |
| Ambient temperature (operation) | -30 °C ... 100 °C |

HC-B-GM5X8,5-M40-ET-AL - Cable gland

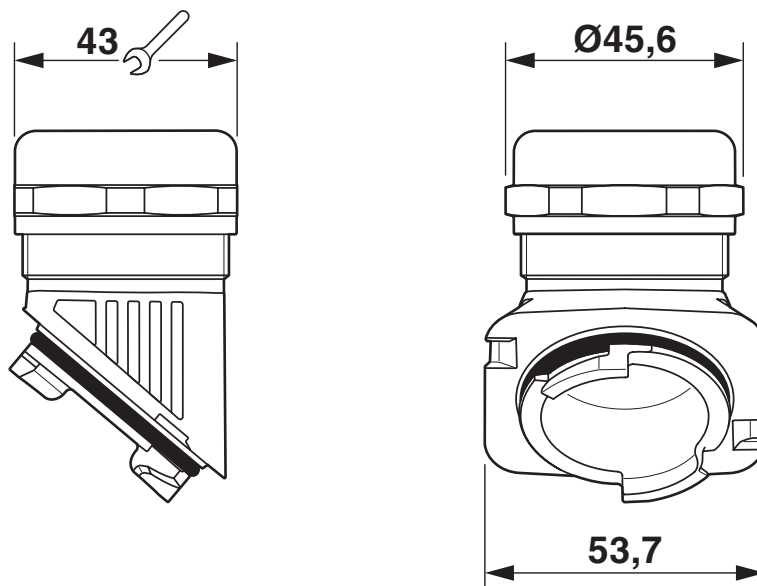
1414649

<https://www.phoenixcontact.com/us/products/1414649>



Drawings

Dimensional drawing



Dimensional drawing

HC-B-GM5X8,5-M40-ET-AL - Cable gland



1414649

<https://www.phoenixcontact.com/us/products/1414649>

Approvals

🔗 To download certificates, visit the product detail page: <https://www.phoenixcontact.com/us/products/1414649>



EAC

Approval ID: RU C-DE.AI30.B.01102



EAC-RoHS

Approval ID: RU D-DE.HB35.B.00387

HC-B-GM5X8,5-M40-ET-AL - Cable gland



1414649

<https://www.phoenixcontact.com/us/products/1414649>

Classifications

ECLASS

| | |
|-------------|----------|
| ECLASS-13.0 | 27140801 |
| ECLASS-15.0 | 27140801 |

ETIM

| | |
|-----------|----------|
| ETIM 10.0 | EC000441 |
|-----------|----------|

UNSPSC

| | |
|-------------|----------|
| UNSPSC 21.0 | 39121300 |
|-------------|----------|

1414649

<https://www.phoenixcontact.com/us/products/1414649>

Environmental product compliance

EU RoHS

| | |
|---|------|
| Fulfills EU RoHS substance requirements | Yes |
| Exemption | 6(c) |

China RoHS

| | |
|--|---|
| Environment friendly use period (EFUP) | EFUP-50 |
| | An article-related China RoHS declaration table can be found in the download area for the respective article under "Manufacturer declaration". For all articles with EFUP-E, no China RoHS declaration table issued and required. |

EU REACH SVHC

| | |
|-------------------------------------|--------------------------------------|
| REACH candidate substance (CAS No.) | Lead(CAS: 7439-92-1) |
| SCIP | 6eec6e99-e0e8-4f8d-a8c2-f7192cae7704 |

Phoenix Contact 2026 © - all rights reserved

<https://www.phoenixcontact.com>

Phoenix Contact USA
586 Fulling Mill Road
Middletown, PA 17057, United States
(+717) 944-1300
info@phoenixcon.com