

# HC-B-GM5X8,5-M40-PLTBK - Cable gland



1414645

<https://www.phoenixcontact.com/us/products/1414645>

Please be informed that the data shown in this PDF document is generated from our online catalog. Please find the complete data in the user documentation. Our general terms of use for downloads are valid.



EVO plastic cable gland with bayonet locking; size M40, for 5 conductors with 8.5 mm cable diameter

## Commercial data

Item number	1414645
Packing unit	1 pc
Minimum order quantity	1 pc
Sales key	BF57
Product key	AF7APL
GTIN	4055626030975
Weight per piece (including packing)	72.3 g
Weight per piece (excluding packing)	72.3 g
Customs tariff number	39269097
Country of origin	PL

# HC-B-GM5X8,5-M40-PLTBK - Cable gland

1414645

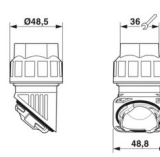
<https://www.phoenixcontact.com/us/products/1414645>

## Technical data

### Product properties

Product type	Cable screw gland
No. of conductors	5
Type of the screw connection	M40
Shielded	no
Execution of the strain relief	A

### Dimensions

Dimensional drawing	
Wrench size, union nut	36 mm
Thread pitch	1.5 mm

### Material specifications

Color	black (RAL 9005)
Material Pressure screw	PBT
Housing material	PA
Material for screw connection	PA

### Cable/line

External cable diameter Cable 1	8.4 mm ... 8.6 mm (Cable 1 ... 5)
---------------------------------	-----------------------------------

### Environmental and real-life conditions

#### Ambient conditions

Degree of protection	IP66 (Cable diameter 8.5 mm $\pm$ 0.1 mm)
Ambient temperature (operation)	-30 °C ... 100 °C

# HC-B-GM5X8,5-M40-PLTBK - Cable gland

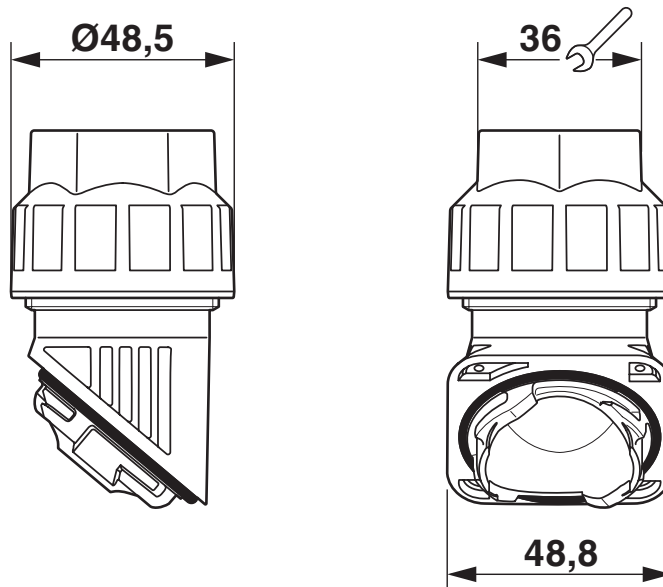
1414645

<https://www.phoenixcontact.com/us/products/1414645>



## Drawings

Dimensional drawing



Dimensional drawing

# HC-B-GM5X8,5-M40-PLTBK - Cable gland



1414645

<https://www.phoenixcontact.com/us/products/1414645>

## Approvals

🔗 To download certificates, visit the product detail page: <https://www.phoenixcontact.com/us/products/1414645>



**EAC**

Approval ID: RU C-DE.AI30.B.01102



**EAC-RoHS**

Approval ID: RU D-DE.HB35.B.00387

# HC-B-GM5X8,5-M40-PLTBK - Cable gland



1414645

<https://www.phoenixcontact.com/us/products/1414645>

## Classifications

### ECLASS

ECLASS-13.0	27140801
ECLASS-15.0	27140801

### ETIM

ETIM 10.0	EC000441
-----------	----------

### UNSPSC

UNSPSC 21.0	39121300
-------------	----------

# HC-B-GM5X8,5-M40-PLTBK - Cable gland



1414645

<https://www.phoenixcontact.com/us/products/1414645>

## Environmental product compliance

### EU RoHS

Fulfills EU RoHS substance requirements	Yes, No exemptions
---	--------------------

### China RoHS

Environment friendly use period (EFUP)	EFUP-E
	No hazardous substances above the limits

### EU REACH SVHC

REACH candidate substance (CAS No.)	No substance above 0.1 wt%
-------------------------------------	----------------------------

### EF3.1 Climate Change

CO2e kg	1.181 kg CO2e
---------	---------------

Phoenix Contact 2026 © - all rights reserved  
<https://www.phoenixcontact.com>

Phoenix Contact USA  
586 Fulling Mill Road  
Middletown, PA 17057, United States  
(+717) 944-1300  
[info@phoenixcon.com](mailto:info@phoenixcon.com)