

SACC-M12MS-8QO-0,5 SH - Connector



1414610

<https://www.phoenixcontact.com/us/products/1414610>

Please be informed that the data shown in this PDF document is generated from our online catalog. Please find the complete data in the user documentation. Our general terms of use for downloads are valid.



Connector, Universal, 8-position, halogen-free, shielded, Plug straight M12, coding: A, Insulation displacement connection, knurl material: Zinc die-cast, nickel-plated, external cable diameter 5 mm ... 9.7 mm

Your advantages

- Safe use in the field, thanks to a high degree of protection
- Save time, thanks to installation with SPEEDCON fast locking system
- Reliable signal transmission – 360° shielding in environments with electromagnetic interference

Commercial data

Item number	1414610
Packing unit	1 pc
Minimum order quantity	1 pc
Sales key	BF31
Product key	AF2CDA
GTIN	4055626029573
Weight per piece (including packing)	39.3 g
Weight per piece (excluding packing)	39.3 g
Customs tariff number	85366990
Country of origin	DE

SACC-M12MS-8QO-0,5 SH - Connector



1414610

<https://www.phoenixcontact.com/us/products/1414610>

Technical data

Notes

Assembly note	NOTE: Observe the permissible bending radii when routing cables, since the degree of protection may be at risk if the bending forces are too high. Reduce mechanical loads upstream of the connector, e.g., by using cable ties.
---------------	---

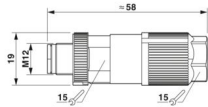
Product properties

Product type	Circular connector (cable-side)
Sensor type	Universal
Number of positions	8
No. of cable outlets	1
Shielded	yes
Coding	A
Cable outlet	straight

Insulation characteristics

Overvoltage category	III
Degree of pollution	3

Dimensions

Dimensional drawing	
Length	58 mm
Wrench size, union nut	15 mm

External dimensions

Outside diameter	5 mm ... 9.7 mm
------------------	-----------------

Housing

Diameter housing	19 mm
------------------	-------

Material specifications

Flammability rating according to UL 94	V0
Seal material	NBR
Material of grip body	Zinc die-cast, nickel-plated
Contact material	CuSn
Contact surface material	Ni/Au
Contact carrier material	PA 6.6
Material for screw connection	Zinc die-cast, nickel-plated
Standards/regulations	PA 6.6
Wire insulation material	PVC / PE / PP / rubber

SACC-M12MS-8QO-0,5 SH - Connector



1414610

<https://www.phoenixcontact.com/us/products/1414610>

Connection data

Conductor connection

Connection method	Insulation displacement connection
Connection cross section	0.14 mm ² ... 0.5 mm ² (flexible)
	0.14 mm ² ... 0.5 mm ² (solid)
Connection cross section AWG	26 ... 20 (flexible)
	26 ... 20 (solid)
Tightening torque	5 Nm (Pressure nut)

Connection assignment

Contact Color (signal designation) Contact (optional)	1 = WH
	2 = BN
	3 = GN
	4 = YE
	5 = GY
	6 = PK
	7 = BU
	8 = RD

Electrical properties

Rated surge voltage	0.8 kV
Insulation resistance	≥ 100 MΩ
Nominal voltage U _N	30 V AC
	30 V DC
Nominal current I _N	2 A

Mechanical properties

Mechanical data

Insertion/withdrawal cycles	≥ 100
-----------------------------	-------

Connector

Connection 1

Head design	Plug
Head cable outlet	straight
Head thread type	M12
Coding	A

Cable/line

Signal type/category	Universal
----------------------	-----------

Environmental and real-life conditions

Ambient conditions

SACC-M12MS-8QO-0,5 SH - Connector



1414610

<https://www.phoenixcontact.com/us/products/1414610>

Degree of protection	IP65
	IP67
Ambient temperature (operation)	-40 °C ... 85 °C (Plug / socket)
Ambient temperature (assembly)	-5 °C ... 50 °C

Standards and regulations

Testing

Standards/regulations	PA 6.6: Fire protection in rail vehicles - requirement sets R22, R23, R24, and R26 acc. to DIN EN 45545-2 (Risk level HL1 - HL3)
-----------------------	--

M12

Standard designation	M12 connector
Standards/specifications	according to IEC 61076-2-101

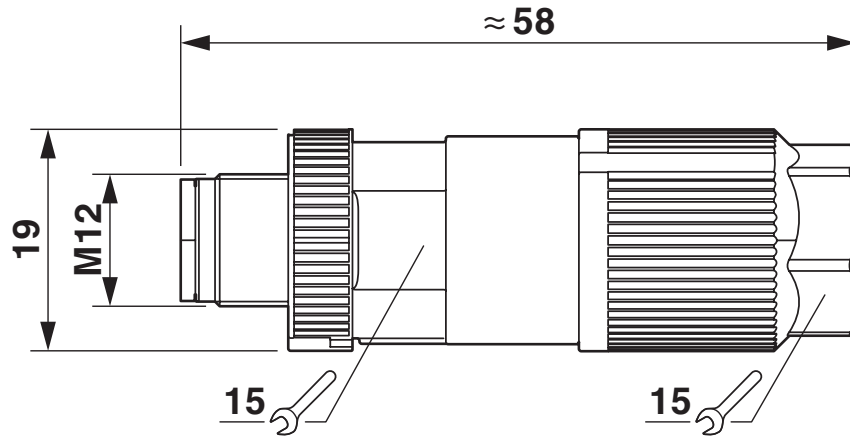
SACC-M12MS-8QO-0,5 SH - Connector

1414610

<https://www.phoenixcontact.com/us/products/1414610>

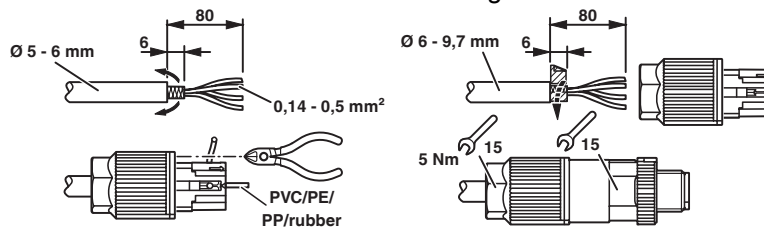
Drawings

Dimensional drawing



Plug, M12 x 1, straight, shielded

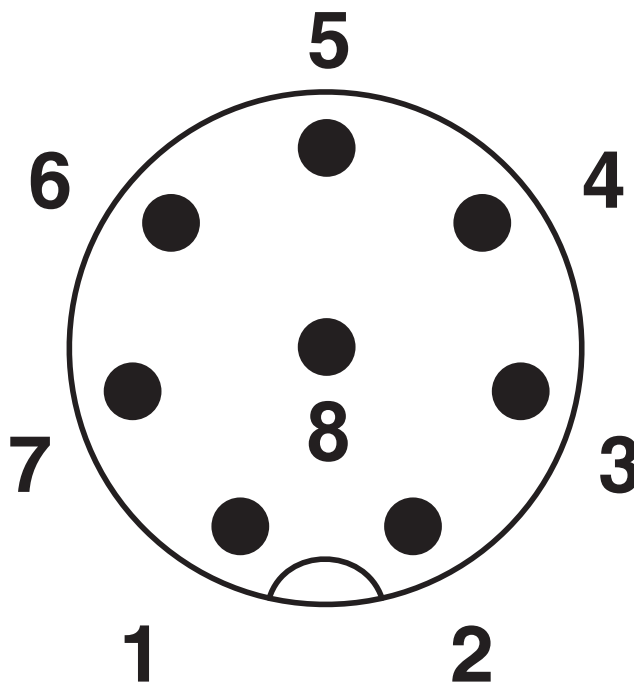
Functional drawing



1414610

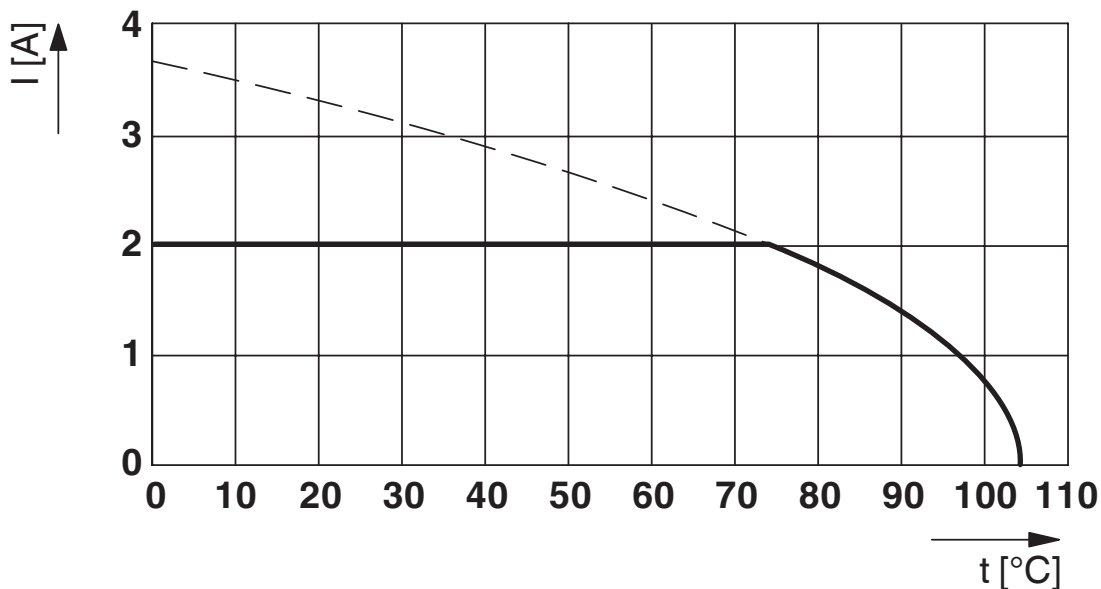
<https://www.phoenixcontact.com/us/products/1414610>

Schematic diagram



Pin assignment of M12 plug, 8-pos., A-coded, view of plug side

Diagram



SACC-M12MS-8QO-0,5 SH - Connector



1414610

<https://www.phoenixcontact.com/us/products/1414610>

Classifications

ECLASS

ECLASS-13.0	27440116
ECLASS-15.0	27440116

ETIM

ETIM 10.0	EC002635
-----------	----------

UNSPSC

UNSPSC 21.0	39121400
-------------	----------

SACC-M12MS-8QO-0,5 SH - Connector



1414610

<https://www.phoenixcontact.com/us/products/1414610>

Environmental product compliance

EU RoHS

Fulfills EU RoHS substance requirements	Yes, No exemptions
---	--------------------

China RoHS

Environment friendly use period (EFUP)	EFUP-E
	No hazardous substances above the limits

EU REACH SVHC

REACH candidate substance (CAS No.)	No substance above 0.1 wt%
-------------------------------------	----------------------------

Phoenix Contact 2026 © - all rights reserved
<https://www.phoenixcontact.com>

Phoenix Contact USA
586 Fulling Mill Road
Middletown, PA 17057, United States
(+717) 944-1300
info@phoenixcon.com