

# NBC-R4AC/2,0-94B/R4RC - Network cable



1414428

<https://www.phoenixcontact.com/us/products/1414428>

Please be informed that the data shown in this PDF document is generated from our online catalog. Please find the complete data in the user documentation. Our general terms of use for downloads are valid.



Network cable, RJ45/IP67 straight on RJ45/IP20 straight, cable length: 2 m, number of positions: 8, 1 Gbps, CAT5, Ethernet, 4x2xAWG26/7, SF/UTP, water blue RAL 5021

## Your advantages

- Perfect for industrial applications
- Perfect for office, building, and protected industrial applications (e.g., in control cabinets)
- Compact angle

## Commercial data

Item number	1414428
Packing unit	1 pc
Minimum order quantity	1 pc
Product key	ABNABE
GTIN	4055626058146
Weight per piece (including packing)	176.2 g
Weight per piece (excluding packing)	119.192 g
Country of origin	PL

# NBC-R4AC/2,0-94B/R4RC - Network cable



1414428

<https://www.phoenixcontact.com/us/products/1414428>

## Technical data

### Product properties

Product type	Data cable preassembled
Product family	RJ45 INDUSTRIAL IE8 CAT5
Number of positions	8
Shielded	yes

### Interfaces

Signal type/category	Ethernet CAT5, 1 Gbps
----------------------	-----------------------

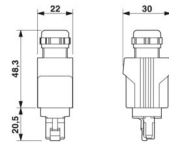
### Electrical properties

Rated voltage (III/3)	72 V (DC)
Transmission speed	1 Gbps
Transmission speed	1 Gbps
Wave impedance	100 $\Omega$

### Material specifications

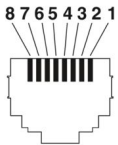
Outer sheath, material	PUR
Conductor material	Bare Cu litz wires

### Dimensions

Dimensional drawing	
Width	13.4 mm
Height	12.9 mm
Length	44.7 mm

### Connector

#### Connection 1

Dimensional drawing	 Connector pin assignment plug RJ45
Type	RJ45 Plug, straight, 8-position, Push Pull

# NBC-R4AC/2,0-94B/R4RC - Network cable

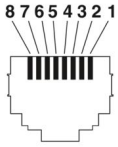


1414428

<https://www.phoenixcontact.com/us/products/1414428>

Number of positions	8
Signal type/category	Ethernet CAT5 (IEC 11801:2002), 1 Gbps
Insertion/withdrawal cycles	≥ 750
Material Contact	CuSn
Material Contact surface	Ni/Au
Material Contact carrier	PC
Material Housing	PA-GF
Color (Housing)	silver-colored
Flammability rating according to UL 94	V2
Degree of protection	IP67 IP65
Ambient temperature (operation)	-40 °C ... 70 °C

## Connection 2

Dimensional drawing	 <p>Connector pin assignment plug RJ45</p>
Type	RJ45 Plug, straight, 8-position
Number of positions	8
Signal type/category	Ethernet CAT5 (IEC 11801:2002), 1 Gbps
Insertion/withdrawal cycles	≥ 750
Insertion force	30 N (per signal contact)
Withdrawal force	50 N (per signal contact)
Degree of pollution	2
Material Contact	CuSn
Material Contact surface	Ni/Au
Material Contact carrier	PC
Material Housing	PA
Color (Housing)	gray
Flammability rating according to UL 94	V2
Degree of protection	IP20
Ambient temperature (operation)	-40 °C ... 60 °C

## Cable/line

Cable length	2.00 m
--------------	--------

Ethernet flexible CAT5, 4-pair [94B]

# NBC-R4AC/2,0-94B/R4RC - Network cable



1414428

<https://www.phoenixcontact.com/us/products/1414428>

Dimensional drawing	
Cable weight	47 kg/km
UL AWM Style	20963 (80°C/30 V)
Number of positions	8
Shielded	yes
Cable type	Ethernet flexible CAT5, 4-pair [94B]
Conductor structure	4x2xAWG26/7, SF/UTP
Signal runtime	5.3 ns/m
Conductor structure signal line	7x 0.16 mm
AWG signal line	26
Conductor cross-section	4x 2x 0.14 mm <sup>2</sup>
Wire diameter incl. insulation	0.96 mm
External cable diameter	6.40 mm ±0.2 mm
Outer sheath, material	PUR
External sheath, color	water blue RAL 5021
Conductor material	Bare Cu litz wires
Material wire insulation	Foamed PE
Single wire, color	white/blue-blue, white/orange-orange, white/green-green, white/brown-brown
Thickness, outer sheath	1.05 mm
Twisted pairs	2 cores to the pair
Overall twist	4 pairs for core
Optical shield covering	70 %
Insulation resistance	≥ 5 GΩ*km
Coupling resistance	≤ 100.00 mΩ/m (at 10 MHz)
Loop resistance	≤ 290.00 Ω/km
Wave impedance	100 Ω ±5 Ω (at 100 MHz)
Cable capacity	48 nF/km (at 1 kHz)
Nominal voltage, cable	≤ 100 V
Test voltage Core/Core	700 V (50 Hz, 1 min.)
Test voltage Core/Shield	700.00 V (50 Hz, 1 min.)
Minimum bending radius, fixed installation	4 x D
Minimum bending radius, flexible installation	8 x D
Smallest bending radius, fixed installation	26 mm
Smallest bending radius, movable installation	52 mm
Tensile strength	≤ 100 N
	71.3 dB (with 1 MHz)

# NBC-R4AC/2,0-94B/R4RC - Network cable



1414428

<https://www.phoenixcontact.com/us/products/1414428>

Near end crosstalk attenuation (NEXT)	62.3 dB (at 4 MHz)
	56.3 dB (at 10 MHz)
	53.2 dB (at 16 MHz)
	51.8 dB (at 20 MHz)
	48.9 dB (at 31.25 MHz)
	44.4 dB (at 62.5 MHz)
	41.3 dB (at 100 MHz)
Power-summated near end crosstalk attenuation (PSNEXT)	62.3 dB (with 1 MHz)
	53.3 dB (at 4 MHz)
	47.3 dB (at 10 MHz)
	44.2 dB (at 16 MHz)
	42.8 dB (at 20 MHz)
	39.9 dB (at 31.25 MHz)
	35.4 dB (at 62.5 MHz)
Return attenuation (RL)	32.3 dB (at 100 MHz)
	23 dB (at 4 MHz)
	24.1 dB (at 8 MHz)
	25 dB (at 10 MHz)
	25 dB (at 16 MHz)
	25 dB (at 20 MHz)
	23.6 dB (at 31.25 MHz)
	21.5 dB (at 62.5 MHz)
Shield attenuation	20.1 dB (at 100 MHz)
	3.2 dB (with 1 MHz)
	6 dB (at 4 MHz)
	9.5 dB (at 10 MHz)
	12.1 dB (at 16 MHz)
	13.6 dB (at 20 MHz)
	17.1 dB (at 31.25 MHz)
	24.8 dB (at 62.5 MHz)
32 dB (at 100 MHz)	
Halogen-free	according to IEC 60754-1
Flame resistance	according to IEC 60332-1-2
Resistance to oil	in accordance with EN 60811-2-1
Ambient temperature (operation)	-40 °C ... 80 °C (cable, fixed installation)
	-20 °C ... 80 °C (Cable, flexible installation)
Ambient temperature (installation)	-20 °C ... 80 °C

# NBC-R4AC/2,0-94B/R4RC - Network cable

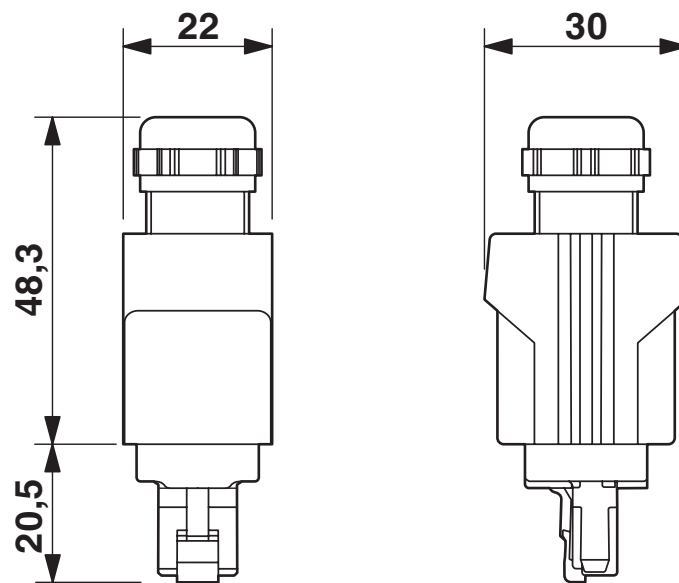


1414428

<https://www.phoenixcontact.com/us/products/1414428>

## Drawings

Dimensional drawing



Push-pull RJ45 connector IP65/67

Dimensional drawing



Dimensional drawing

# NBC-R4AC/2,0-94B/R4RC - Network cable



1414428

<https://www.phoenixcontact.com/us/products/1414428>

Circuit diagram



# NBC-R4AC/2,0-94B/R4RC - Network cable



1414428

<https://www.phoenixcontact.com/us/products/1414428>

## Approvals

To download certificates, visit the product detail page: <https://www.phoenixcontact.com/us/products/1414428>



**EAC**

Approval ID: 19060508

# NBC-R4AC/2,0-94B/R4RC - Network cable



1414428

<https://www.phoenixcontact.com/us/products/1414428>

## Classifications

### ECLASS

ECLASS-13.0	27060307
ECLASS-15.0	27060307

### UNSPSC

UNSPSC 21.0	26121600
-------------	----------

1414428

<https://www.phoenixcontact.com/us/products/1414428>

## Environmental product compliance

### EU RoHS

Fulfills EU RoHS substance requirements	Yes, No exemptions
---	--------------------

### China RoHS

Environment friendly use period (EFUP)	EFUP-E
	No hazardous substances above the limits

### EU REACH SVHC

REACH candidate substance (CAS No.)	6,6'-di-tert-butyl-2,2'-methylenedi-p-cresol(CAS: 119-47-1)
SCIP	018037dc-1a81-47d3-b54a-d826bf5ff95a

### EF3.1 Climate Change

CO2e kg	2.455 kg CO2e
---------	---------------

Phoenix Contact 2026 © - all rights reserved

<https://www.phoenixcontact.com>

Phoenix Contact USA  
586 Fulling Mill Road  
Middletown, PA 17057, United States  
(+717) 944-1300  
[info@phoenixcon.com](mailto:info@phoenixcon.com)