

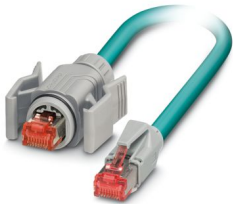
NBC-R4AC/10,0-94B/R4MC - Network cable



1414426

<https://www.phoenixcontact.com/us/products/1414426>

Please be informed that the data shown in this PDF document is generated from our online catalog. Please find the complete data in the user documentation. Our general terms of use for downloads are valid.



Network cable, degree of protection: IP67/IP20, cable length: 10 m, number of positions: 8, 1 Gbps, CAT5, cable outlet: straight, Ethernet

Commercial data

| | |
|--------------------------------------|---------------|
| Item number | 1414426 |
| Packing unit | 1 pc |
| Minimum order quantity | 1 pc |
| Product key | ABNABE |
| GTIN | 4055626058115 |
| Weight per piece (including packing) | 517 g |
| Weight per piece (excluding packing) | 474.2 g |
| Country of origin | PL |

NBC-R4AC/10,0-94B/R4MC - Network cable



1414426

<https://www.phoenixcontact.com/us/products/1414426>

Technical data

Product properties

| | |
|----------------------|-------------------------|
| Product type | Data cable preassembled |
| Number of positions | 8 |
| No. of cable outlets | 1 |
| Shielded | yes |
| Cable outlet | straight |

Insulation characteristics

| | |
|---------------------|---|
| Degree of pollution | 2 |
|---------------------|---|

Interfaces

| | |
|----------------------|-----------------------|
| Signal type/category | Ethernet CAT5, 1 Gbps |
|----------------------|-----------------------|

Electrical properties

| | |
|-----------------------|--------------|
| Rated voltage (III/3) | 72 V (DC) |
| Transmission medium | Copper |
| Transmission speed | 1 Gbps |
| Wave impedance | 100 Ω |

Mechanical properties

Mechanical data

| | |
|-----------------------------|------------|
| Insertion/withdrawal cycles | ≥ 750 |
|-----------------------------|------------|

Material specifications

| | |
|--|--------------------|
| Flammability rating according to UL 94 | V2 |
| Outer sheath, material | PUR |
| Conductor material | Bare Cu litz wires |

Connector

Connection 1

| | |
|----------------------|--------------------|
| Type | Plug straight RJ45 |
| Degree of protection | IP67 |

Connection 2

| | |
|----------------------|--------------------|
| Type | Plug straight RJ45 |
| Degree of protection | IP20 |

Cable/line

| | |
|--------------|---------|
| Cable length | 10.00 m |
|--------------|---------|


Ethernet flexible CAT5, 4-pair [94B]

NBC-R4AC/10,0-94B/R4MC - Network cable



1414426

<https://www.phoenixcontact.com/us/products/1414426>

| | |
|---|--|
| Dimensional drawing |  |
| Shielded | yes |
| UL AWM Style | 20963 (80°C/30 V) |
| Cable weight | 47 kg/km |
| Cable type | Ethernet flexible CAT5, 4-pair |
| Cable type (abbreviation) | 94B |
| Signal type/category | Ethernet CAT5 (IEC 11801), 1 Gbps |
| Cable structure | 4x2xAWG26/7, SF/UTP |
| External cable diameter | 6.40 mm ±0.2 mm |
| Outer sheath, material | PUR |
| External sheath, color | water blue RAL 5021 |
| Thickness, outer sheath | 1.05 mm |
| Conductor material | Bare Cu litz wires |
| Conductor structure signal line | 7x 0.16 mm |
| AWG signal line | 26 |
| Conductor cross-section | 4x 2x 0.14 mm ² |
| Material wire insulation | Foamed PE |
| Wire diameter incl. insulation | 0.96 mm |
| Single wire, color | white/blue-blue, white/orange-orange, white/green-green, white/brown-brown |
| Twisted pairs | 2 cores to the pair |
| Overall twist | 4 pairs for core |
| Shielding | Aluminum-coated foil, tinned copper braided shield |
| Optical shield covering | 70 % |
| Nominal voltage, cable | ≤ 100 V |
| Test voltage Core/Core | 700 V (50 Hz, 1 min.) |
| Test voltage Core/Shield | 700.00 V (50 Hz, 1 min.) |
| Cable insulation resistance | ≥ 5 GΩ*km |
| Coupling resistance | ≤ 100.00 mΩ/m (at 10 MHz) |
| Wave impedance | 100 Ω ±5 Ω (at 100 MHz) |
| Loop resistance | ≤ 290.00 Ω/km |
| Cable capacity | 48 nF/km (at 1 kHz) |
| Signal runtime | 5.3 ns/m |
| Tensile strength | ≤ 100 N |
| Minimum bending radius, fixed installation | 4 x D |
| Minimum bending radius, flexible installation | 8 x D |
| | 71.3 dB (with 1 MHz) |

NBC-R4AC/10,0-94B/R4MC - Network cable



1414426

<https://www.phoenixcontact.com/us/products/1414426>

| | |
|--|---|
| Near end crosstalk attenuation (NEXT) | 62.3 dB (at 4 MHz) |
| | 56.3 dB (at 10 MHz) |
| | 53.2 dB (at 16 MHz) |
| | 51.8 dB (at 20 MHz) |
| | 48.9 dB (at 31.25 MHz) |
| | 44.4 dB (at 62.5 MHz) |
| | 41.3 dB (at 100 MHz) |
| Power-summated near end crosstalk attenuation (PSNEXT) | 62.3 dB (with 1 MHz) |
| | 53.3 dB (at 4 MHz) |
| | 47.3 dB (at 10 MHz) |
| | 44.2 dB (at 16 MHz) |
| | 42.8 dB (at 20 MHz) |
| | 39.9 dB (at 31.25 MHz) |
| | 35.4 dB (at 62.5 MHz) |
| Return attenuation (RL) | 32.3 dB (at 100 MHz) |
| | 23 dB (at 4 MHz) |
| | 24.1 dB (at 8 MHz) |
| | 25 dB (at 10 MHz) |
| | 25 dB (at 16 MHz) |
| | 25 dB (at 20 MHz) |
| | 23.6 dB (at 31.25 MHz) |
| Halogen-free | 21.5 dB (at 62.5 MHz) |
| | 20.1 dB (at 100 MHz) |
| Resistance to oil | according to IEC 60754-1 |
| Flame resistance | in accordance with EN 60811-2-1 |
| Ambient temperature (operation) | according to IEC 60332-1-2 |
| | -20 °C ... 80 °C (Cable, flexible installation) |
| | -40 °C ... 80 °C (cable, fixed installation) |

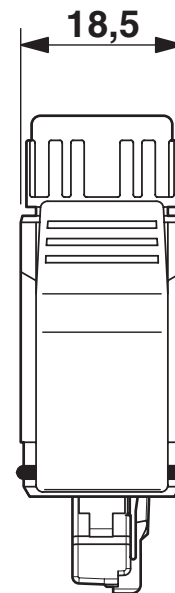
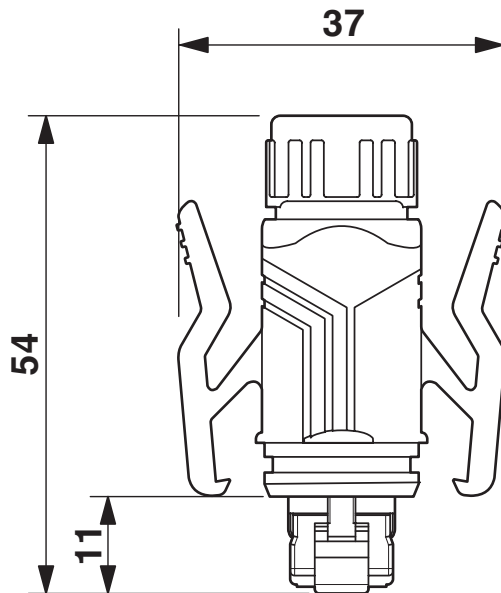
Environmental and real-life conditions

Ambient conditions

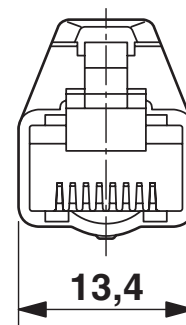
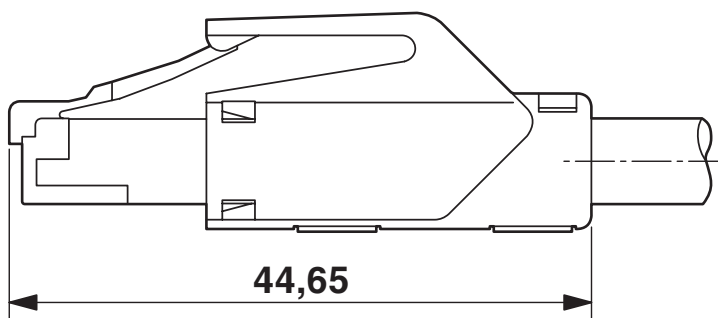
| | |
|----------------------|-----------|
| Degree of protection | IP67/IP20 |
|----------------------|-----------|

Drawings

Dimensional drawing



Dimensional drawing



NBC-R4AC/10,0-94B/R4MC - Network cable



1414426

<https://www.phoenixcontact.com/us/products/1414426>

Circuit diagram



NBC-R4AC/10,0-94B/R4MC - Network cable



1414426

<https://www.phoenixcontact.com/us/products/1414426>

Classifications

ECLASS

| | |
|-------------|----------|
| ECLASS-13.0 | 27060307 |
| ECLASS-15.0 | 27060307 |

UNSPSC

| | |
|-------------|----------|
| UNSPSC 21.0 | 26121600 |
|-------------|----------|

NBC-R4AC/10,0-94B/R4MC - Network cable



1414426

<https://www.phoenixcontact.com/us/products/1414426>

Environmental product compliance

EU RoHS

| | |
|---|--------------------|
| Fulfills EU RoHS substance requirements | Yes, No exemptions |
|---|--------------------|

China RoHS

| | |
|--|--|
| Environment friendly use period (EFUP) | EFUP-E |
| | No hazardous substances above the limits |

EU REACH SVHC

| | |
|-------------------------------------|---|
| REACH candidate substance (CAS No.) | 6,6'-di-tert-butyl-2,2'-methylenedi-p-cresol(CAS: 119-47-1) |
|-------------------------------------|---|

Phoenix Contact 2026 © - all rights reserved
<https://www.phoenixcontact.com>

Phoenix Contact USA
586 Fulling Mill Road
Middletown, PA 17057, United States
(+717) 944-1300
info@phoenixcon.com