

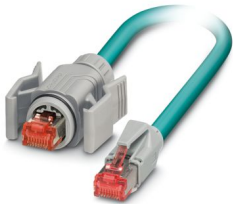
NBC-R4AC/2,0-94B/R4MC - Network cable



1414425

<https://www.phoenixcontact.com/us/products/1414425>

Please be informed that the data shown in this PDF document is generated from our online catalog. Please find the complete data in the user documentation. Our general terms of use for downloads are valid.



Network cable, degree of protection: IP67/IP20, number of positions: 8, 1 Gbps, CAT5, cable outlet: straight, Ethernet

Commercial data

Item number	1414425
Packing unit	1 pc
Minimum order quantity	1 pc
Product key	ABNABE
GTIN	4055626058122
Weight per piece (including packing)	106.04 g
Weight per piece (excluding packing)	106.04 g
Country of origin	PL

1414425

<https://www.phoenixcontact.com/us/products/1414425>

Technical data

Product properties

Product type	Data cable preassembled
Number of positions	8
No. of cable outlets	1
Shielded	yes
Cable outlet	straight

Insulation characteristics

Degree of pollution	2
---------------------	---

Interfaces

Signal type/category	Ethernet CAT5, 1 Gbps
----------------------	-----------------------

Electrical properties

Transmission medium	Copper
Transmission speed	1 Gbps
Wave impedance	100 Ω

Mechanical properties

Mechanical data

Insertion/withdrawal cycles	≥ 750
-----------------------------	------------

Material specifications

Flammability rating according to UL 94	V2
Outer sheath, material	PUR
Conductor material	Bare Cu litz wires

Connector

Connection 1

Type	Plug straight RJ45
Degree of protection	IP67

Connection 2

Type	Plug straight RJ45
Degree of protection	IP20

Cable/line


Ethernet flexible CAT5, 4-pair [94B]

NBC-R4AC/2,0-94B/R4MC - Network cable



1414425

<https://www.phoenixcontact.com/us/products/1414425>

Dimensional drawing	
Shielded	yes
UL AWM Style	20963 (80°C/30 V)
Cable weight	47 kg/km
Cable type	Ethernet flexible CAT5, 4-pair
Cable type (abbreviation)	94B
Signal type/category	Ethernet CAT5 (IEC 11801), 1 Gbps
Cable structure	4x2xAWG26/7, SF/UTP
External cable diameter	6.40 mm ±0.2 mm
Outer sheath, material	PUR
External sheath, color	water blue RAL 5021
Thickness, outer sheath	1.05 mm
Conductor material	Bare Cu litz wires
Conductor structure signal line	7x 0.16 mm
AWG signal line	26
Conductor cross-section	4x 2x 0.14 mm ²
Material wire insulation	Foamed PE
Wire diameter incl. insulation	0.96 mm
Single wire, color	white/blue-blue, white/orange-orange, white/green-green, white/brown-brown
Twisted pairs	2 cores to the pair
Overall twist	4 pairs for core
Shielding	Aluminum-coated foil, tinned copper braided shield
Optical shield covering	70 %
Nominal voltage, cable	≤ 100 V
Test voltage Core/Core	700 V (50 Hz, 1 min.)
Test voltage Core/Shield	700.00 V (50 Hz, 1 min.)
Cable insulation resistance	≥ 5 GΩ*km
Coupling resistance	≤ 100.00 mΩ/m (at 10 MHz)
Wave impedance	100 Ω ±5 Ω (at 100 MHz)
Loop resistance	≤ 290.00 Ω/km
Cable capacity	48 nF/km (at 1 kHz)
Signal runtime	5.3 ns/m
Tensile strength	≤ 100 N
Minimum bending radius, fixed installation	4 x D
Minimum bending radius, flexible installation	8 x D
	71.3 dB (with 1 MHz)

NBC-R4AC/2,0-94B/R4MC - Network cable



1414425

<https://www.phoenixcontact.com/us/products/1414425>

Near end crosstalk attenuation (NEXT)	62.3 dB (at 4 MHz)
	56.3 dB (at 10 MHz)
	53.2 dB (at 16 MHz)
	51.8 dB (at 20 MHz)
	48.9 dB (at 31.25 MHz)
	44.4 dB (at 62.5 MHz)
	41.3 dB (at 100 MHz)
Power-summated near end crosstalk attenuation (PSNEXT)	62.3 dB (with 1 MHz)
	53.3 dB (at 4 MHz)
	47.3 dB (at 10 MHz)
	44.2 dB (at 16 MHz)
	42.8 dB (at 20 MHz)
	39.9 dB (at 31.25 MHz)
	35.4 dB (at 62.5 MHz)
Return attenuation (RL)	32.3 dB (at 100 MHz)
	23 dB (at 4 MHz)
	24.1 dB (at 8 MHz)
	25 dB (at 10 MHz)
	25 dB (at 16 MHz)
	25 dB (at 20 MHz)
	23.6 dB (at 31.25 MHz)
Halogen-free	21.5 dB (at 62.5 MHz)
	20.1 dB (at 100 MHz)
	according to IEC 60754-1
	Resistance to oil
	in accordance with EN 60811-2-1
	Flame resistance
	according to IEC 60332-1-2
Ambient temperature (operation)	-20 °C ... 80 °C (Cable, flexible installation)
	-40 °C ... 80 °C (cable, fixed installation)

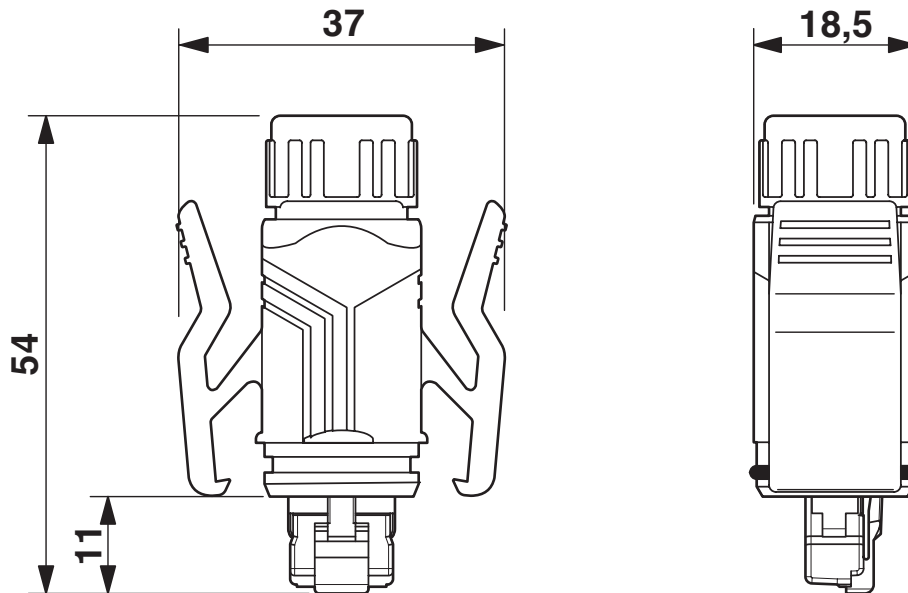
Environmental and real-life conditions

Ambient conditions

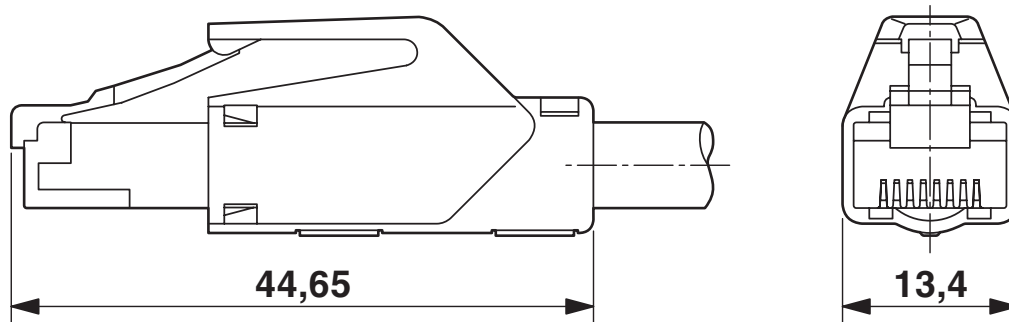
Degree of protection	IP67/IP20
----------------------	-----------

Drawings

Dimensional drawing



Dimensional drawing



NBC-R4AC/2,0-94B/R4MC - Network cable



1414425

<https://www.phoenixcontact.com/us/products/1414425>

Circuit diagram



NBC-R4AC/2,0-94B/R4MC - Network cable



1414425

<https://www.phoenixcontact.com/us/products/1414425>

Classifications

ECLASS

ECLASS-13.0	27060307
ECLASS-15.0	27060307

1414425

<https://www.phoenixcontact.com/us/products/1414425>

Environmental product compliance

EU RoHS

Fulfills EU RoHS substance requirements	Yes, No exemptions
---	--------------------

China RoHS

Environment friendly use period (EFUP)	EFUP-50
	An article-related China RoHS declaration table can be found in the download area for the respective article under "Manufacturer declaration". For all articles with EFUP-E, no China RoHS declaration table issued and required.

EU REACH SVHC

REACH candidate substance (CAS No.)	No substance above 0.1 wt%
-------------------------------------	----------------------------

Phoenix Contact 2026 © - all rights reserved

<https://www.phoenixcontact.com>

Phoenix Contact USA
586 Fulling Mill Road
Middletown, PA 17057, United States
(+717) 944-1300
info@phoenixcon.com