

CUC-V06-C1PBK-S/R4CEA:1 - RJ45 connector



1414410

<https://www.phoenixcontact.com/us/products/1414410>

Please be informed that the data shown in this PDF document is generated from our online catalog. Please find the complete data in the user documentation. Our general terms of use for downloads are valid.



RJ45 connector, design: RJ45, degree of protection: IP67, number of positions: 8, 10 Gbps, CAT6_A, material: Plastic, connection method: Crimp connection, connection cross section: AWG 24- 27, cable outlet: straight, color: black, Ethernet/PROFINET

Commercial data

| | |
|--------------------------------------|---------------|
| Item number | 1414410 |
| Packing unit | 1 pc |
| Minimum order quantity | 1 pc |
| Sales key | AB17 |
| Product key | ABNNAB |
| GTIN | 4055626028323 |
| Weight per piece (including packing) | 18.4 g |
| Weight per piece (excluding packing) | 16.324 g |
| Customs tariff number | 85366990 |
| Country of origin | DE |

1414410

<https://www.phoenixcontact.com/us/products/1414410>

Technical data

Product properties

| | |
|----------------------|-----------------------------|
| Product type | Data connector (cable side) |
| Type | RJ45 |
| Number of positions | 8 |
| Connection profile | RJ45 |
| No. of cable outlets | 1 |
| Shielded | no |
| Cable outlet | straight |

Insulation characteristics

| | |
|----------------------|---|
| Overvoltage category | I |
| Degree of pollution | 2 |

Electrical properties

| | |
|---|-------------------|
| Rated voltage (III/3) | 72 V (DC) |
| Rated current | 1 A |
| Frequency range | to 500 MHz |
| Nominal voltage U_N | 72 V (DC) |
| Nominal current I_N | 1.75 A |
| Transmission medium | Copper |
| Transmission speed | 10 Gbps (500 MHz) |
| Transmission characteristics (category) | CAT6 _A |
| Transmission speed | 10 Gbps |

Connection data

Connection technology

| | |
|------------------------------|--|
| Connection method | Crimp connection |
| Connection cross section AWG | 24 ... 27 (flexible) |
| Conductor cross-section | 0.1 mm ² ... 0.2 mm ² (flexible) |

Interfaces

| | |
|----------------------|---|
| Signal type/category | Ethernet/PROFINET CAT6 _A , 10 Gbps (500 MHz) |
|----------------------|---|

Dimensions

| | |
|--------|---------|
| Width | 38.4 mm |
| Height | 53 mm |
| Length | 19.9 mm |

Material specifications

| | |
|--|-------|
| Color | black |
| Flammability rating according to UL 94 | V0 |
| Seal material, O-ring | NBR |

CUC-V06-C1PBK-S/R4CEA:1 - RJ45 connector



1414410

<https://www.phoenixcontact.com/us/products/1414410>

| | |
|--------------------------|-----------------|
| Seal material | TPE |
| Housing material | Plastic |
| Cable seal material | NBR |
| Contact material | Phosphor bronze |
| Contact surface material | Gold |
| Contact carrier material | PC |
| O-ring material | FPM |

Cable/line

| | |
|-------------------------|---|
| Signal type/category | Ethernet/PROFINET CAT6 _A , 10 Gbps (500 MHz) |
| External cable diameter | 5 mm ... 8.5 mm |
| Cable cross section | 0.1 mm ² |

Mechanical properties

Mechanical data

| | |
|-----------------------------|--------|
| Insertion/withdrawal cycles | ≥ 1000 |
|-----------------------------|--------|

Environmental and real-life conditions

Ambient conditions

| | |
|---------------------------------|------------------|
| Degree of protection | IP67 |
| Ambient temperature (operation) | -25 °C ... 60 °C |

CUC-V06-C1PBK-S/R4CEA:1 - RJ45 connector

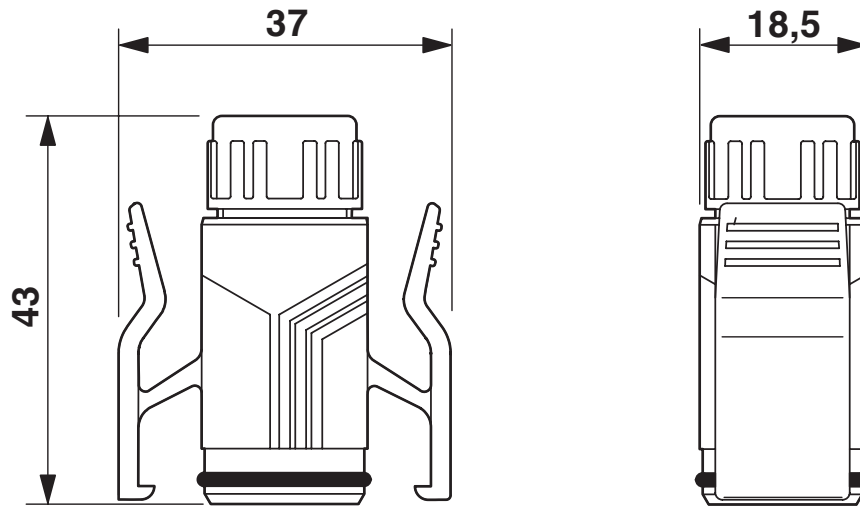


1414410

<https://www.phoenixcontact.com/us/products/1414410>

Drawings

Dimensional drawing



RJ45 sleeve housing IP67

CUC-V06-C1PBK-S/R4CEA:1 - RJ45 connector



1414410

<https://www.phoenixcontact.com/us/products/1414410>

Classifications

ECLASS

| | |
|-------------|----------|
| ECLASS-13.0 | 27440390 |
| ECLASS-15.0 | 27440114 |

ETIM

| | |
|-----------|----------|
| ETIM 10.0 | EC002636 |
|-----------|----------|

UNSPSC

| | |
|-------------|----------|
| UNSPSC 21.0 | 39121400 |
|-------------|----------|

1414410

<https://www.phoenixcontact.com/us/products/1414410>

Environmental product compliance

EU RoHS

| | |
|---|--------------------|
| Fulfills EU RoHS substance requirements | Yes, No exemptions |
|---|--------------------|

China RoHS

| | |
|--|--|
| Environment friendly use period (EFUP) | EFUP-E |
| | No hazardous substances above the limits |

EU REACH SVHC

| | |
|-------------------------------------|---|
| REACH candidate substance (CAS No.) | 6,6'-di-tert-butyl-2,2'-methylenedi-p-cresol(CAS: 119-47-1) |
| SCIP | 906cf7f2-b8b3-40bf-b5e6-8a4161715b63 |

Phoenix Contact 2026 © - all rights reserved
<https://www.phoenixcontact.com>

Phoenix Contact USA
586 Fulling Mill Road
Middletown, PA 17057, United States
(+717) 944-1300
info@phoenixcon.com