

# CUC-STD-C1PGY-S/R4EA:10 - RJ45 connector



1414399

<https://www.phoenixcontact.com/us/products/1414399>

Please be informed that the data shown in this PDF document is generated from our online catalog. Please find the complete data in the user documentation. Our general terms of use for downloads are valid.



RJ45 connector, design: RJ45, degree of protection: IP20, number of positions: 8, 10 Gbps, CAT6<sub>A</sub>, material: Plastic, connection method: Crimp connection, connection cross section: AWG 24- 27, cable outlet: straight, color: gray, Ethernet

## Your advantages

- Reliable 360° shield contact due to the proven crimp connection
- Easy installation with a crimping tool
- Pin insert for V.06 sleeve housing VS-08-T-H-RJ45/IP67

## Commercial data

Item number	1414399
Packing unit	10 pc
Minimum order quantity	10 pc
Sales key	AB10
Product key	ABNAAH
GTIN	4055626028217
Weight per piece (including packing)	4.73 g
Weight per piece (excluding packing)	4.489 g
Customs tariff number	85366990
Country of origin	TW

1414399

<https://www.phoenixcontact.com/us/products/1414399>

## Technical data

### Product properties

Product type	Data connector (cable side)
Type	RJ45
Number of positions	8
Connection profile	RJ45
No. of cable outlets	1
Shielded	yes
Cable outlet	straight
Positions/contacts	8P8C

### Insulation characteristics

Overvoltage category	I
Degree of pollution	2

### Electrical properties

Rated voltage (III/3)	72 V (DC)
Rated current	1 A
Contact resistance	< 20 mΩ (Contact) < 100 mΩ (shield)
Insulation resistance	> 500 MΩ
Nominal voltage $U_N$	72 V (DC)
Nominal current $I_N$	1 A
Contact resistance per contact pair	< 20 Ω
Contact resistance	> 10 mΩ (Wire – IDC)
Transmission medium	Copper
Transmission speed	10 Gbps (500 MHz)
Transmission characteristics (category)	CAT6 <sub>A</sub>
Transmission speed	10 Gbps

### Connection data

#### Connection technology

Connection method	Crimp connection
Connection cross section AWG	24 ... 27 (flexible)
Conductor cross-section	0.11 mm <sup>2</sup> ... 0.22 mm <sup>2</sup> (flexible)
Cable outlet, angle	180

### Interfaces

Signal type/category	Ethernet CAT6 <sub>A</sub> , 10 Gbps (500 MHz)
----------------------	--

### Dimensions

Width	13.5 mm
Height	17 mm

# CUC-STD-C1PGY-S/R4EA:10 - RJ45 connector



1414399

<https://www.phoenixcontact.com/us/products/1414399>

Length	44.65 mm
--------	----------

## Material specifications

Color	gray
Flammability rating according to UL 94	V2
Housing material	Plastic
Contact material	Phosphor bronze
Contact surface material	Au/Ni
Contact carrier material	PC
Locking latch material	PC

## Cable/line

Signal type/category	Ethernet CAT6 <sub>A</sub> , 10 Gbps (500 MHz)
External cable diameter	5.8 mm ... 6 mm
Cable cross section	0.11 mm <sup>2</sup>
Test voltage Core/Core	1000 V
Test voltage Core/Shield	1500.00 V

## Mechanical properties

### Mechanical data

Insertion/withdrawal cycles	≥ 750
Insertion force per signal contact	< 20.00 N
Extraction force per signal contact	< 20 N

## Environmental and real-life conditions

### Ambient conditions

Degree of protection	IP20
Ambient temperature (operation)	-25 °C ... 60 °C

## Mounting

Mounting type	Crimp connection
---------------	------------------

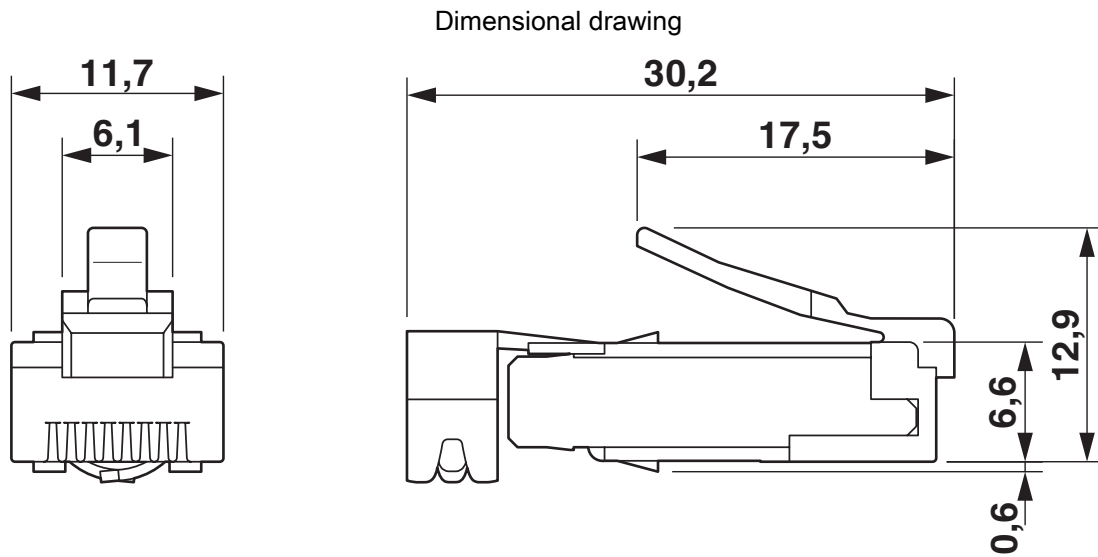
# CUC-STD-C1PGY-S/R4EA:10 - RJ45 connector



1414399

<https://www.phoenixcontact.com/us/products/1414399>

## Drawings



RJ45 male insert

# CUC-STD-C1PGY-S/R4EA:10 - RJ45 connector



1414399

<https://www.phoenixcontact.com/us/products/1414399>

## Classifications

### ECLASS

ECLASS-13.0	27440114
ECLASS-15.0	27440114

### ETIM

ETIM 10.0	EC002636
-----------	----------

### UNSPSC

UNSPSC 21.0	39121400
-------------	----------

# CUC-STD-C1PGY-S/R4EA:10 - RJ45 connector



1414399

<https://www.phoenixcontact.com/us/products/1414399>

## Environmental product compliance

### EU RoHS

Fulfills EU RoHS substance requirements	Yes, No exemptions
---	--------------------

### China RoHS

Environment friendly use period (EFUP)	EFUP-E
	No hazardous substances above the limits

### EU REACH SVHC

REACH candidate substance (CAS No.)	No substance above 0.1 wt%
-------------------------------------	----------------------------

### EF3.1 Climate Change

CO2e kg	0.245 kg CO2e
---------	---------------

Phoenix Contact 2026 © - all rights reserved  
<https://www.phoenixcontact.com>

Phoenix Contact USA  
586 Fulling Mill Road  
Middletown, PA 17057, United States  
(+717) 944-1300  
[info@phoenixcon.com](mailto:info@phoenixcon.com)