

# CUC-BH-M12A1PBK-S/R4BE - Control cabinet feed-through



1414396

<https://www.phoenixcontact.com/us/products/1414396>

Please be informed that the data shown in this PDF document is generated from our online catalog. Please find the complete data in the user documentation. Our general terms of use for downloads are valid.

Control cabinet feed-through, M12, 8-pos., A-coded on RJ45 socket, socket input 180°, IP65/67



## Your advantages

- Compact design
- IP65/67
- 1 Gbps

## Commercial data

Item number	1414396
Packing unit	1 pc
Minimum order quantity	1 pc
Sales key	AB18
Product key	ABNPBA
GTIN	4055626166766
Weight per piece (including packing)	34 g
Weight per piece (excluding packing)	34 g
Customs tariff number	85366990
Country of origin	DE

# CUC-BH-M12A1PBK-S/R4BE - Control cabinet feed-through



1414396

<https://www.phoenixcontact.com/us/products/1414396>

## Technical data

### Product properties

Product type	Female insert
Type	M12
Number of positions	8
Connection profile	M12
Shielded	yes
Cable outlet	straight
Thread type	M12

### Insulation characteristics

Overvoltage category	III
Degree of pollution	2

### Electrical properties

Maximum load current	0.5 A
Rated voltage (III/3)	72 V (DC)
Rated surge voltage	0.8 kV
Rated current	1.75 A
Nominal voltage $U_N$	48 V
Nominal current $I_N$	0.5 A
Transmission medium	Copper
Transmission speed	1 Gbps
Transmission characteristics (category)	CAT5 (IEC 11801:2002)
Power transmission	PoE++

### Connection data

#### Connection technology

Connection method	Coupling
-------------------	----------

### Interfaces

Signal type/category	Ethernet CAT5, 1 Gbps
----------------------	-----------------------

### Material specifications

Color	black
Flammability rating according to UL 94	V0
Housing material	Plastic
Material of grip body	PA
Contact material	Copper alloy

### Connector

#### Connection 1

# CUC-BH-M12A1PBK-S/R4BE - Control cabinet feed-through



1414396

<https://www.phoenixcontact.com/us/products/1414396>

Type	Socket M12
Locking type	Screw connection
Coding type	A
Shielded	yes
Insertion/withdrawal cycles	≥ 750 (RJ45)
Degree of protection	IP65/IP67

## Connection 2

Type	Socket RJ45
Degree of protection	IP20

## Cable/line

Signal type/category	Ethernet CAT5, 1 Gbps
----------------------	-----------------------

## Mechanical properties

### Mechanical data

Insertion/withdrawal cycles	≥ 100
-----------------------------	-------

## Environmental and real-life conditions

### Ambient conditions

Degree of protection	IP65/IP67, when installed
Ambient temperature (operation) (male connector/female connector)	-25 °C ... 85 °C

## Mounting

Mounting type	Rear mounting
---------------	---------------

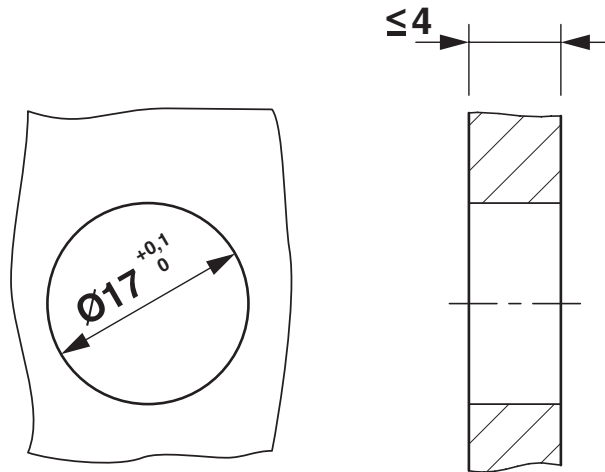
# CUC-BH-M12A1PBK-S/R4BE - Control cabinet feed-through

1414396

<https://www.phoenixcontact.com/us/products/1414396>

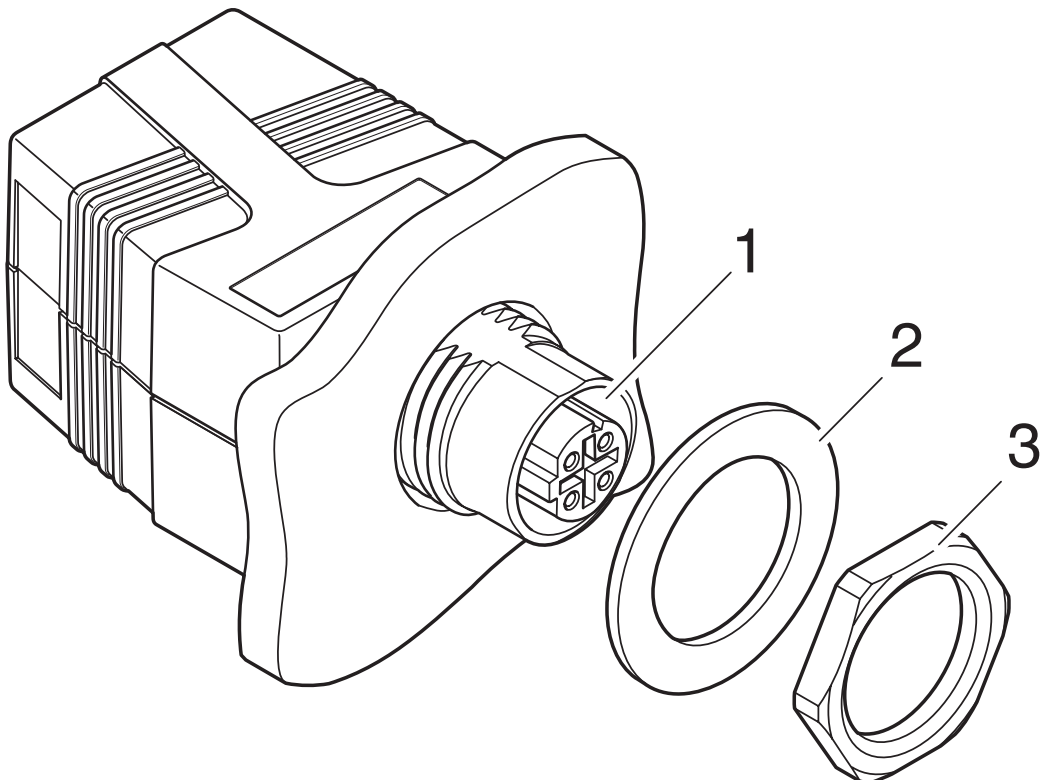
## Drawings

Dimensional drawing



Mounting cutout

Exploded view



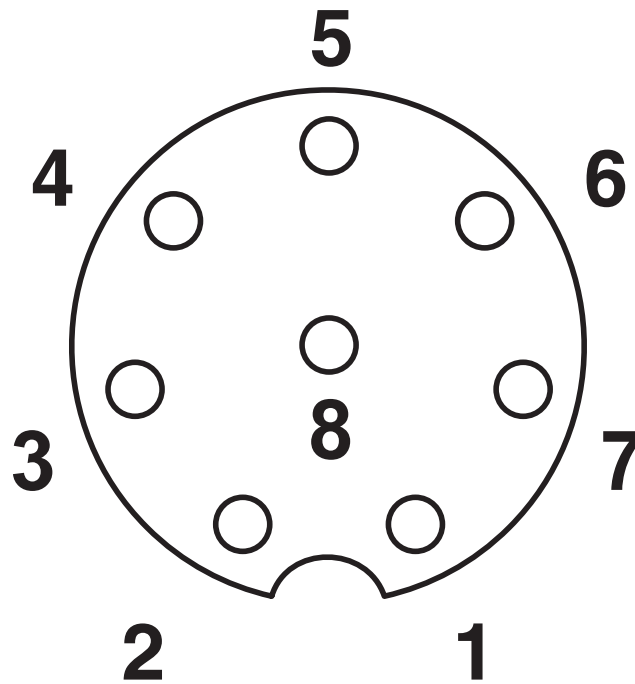
Exploded drawing

# CUC-BH-M12A1PBK-S/R4BE - Control cabinet feed-through

1414396

<https://www.phoenixcontact.com/us/products/1414396>

Schematic diagram



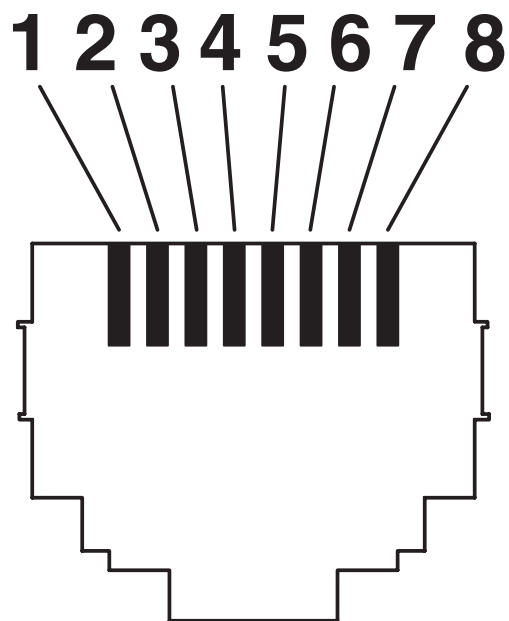
Pin assignment of M12 female, 8-pos., A-coded, view: female side

# CUC-BH-M12A1PBK-S/R4BE - Control cabinet feed-through

1414396

<https://www.phoenixcontact.com/us/products/1414396>

Schematic diagram



RJ45 jack insert

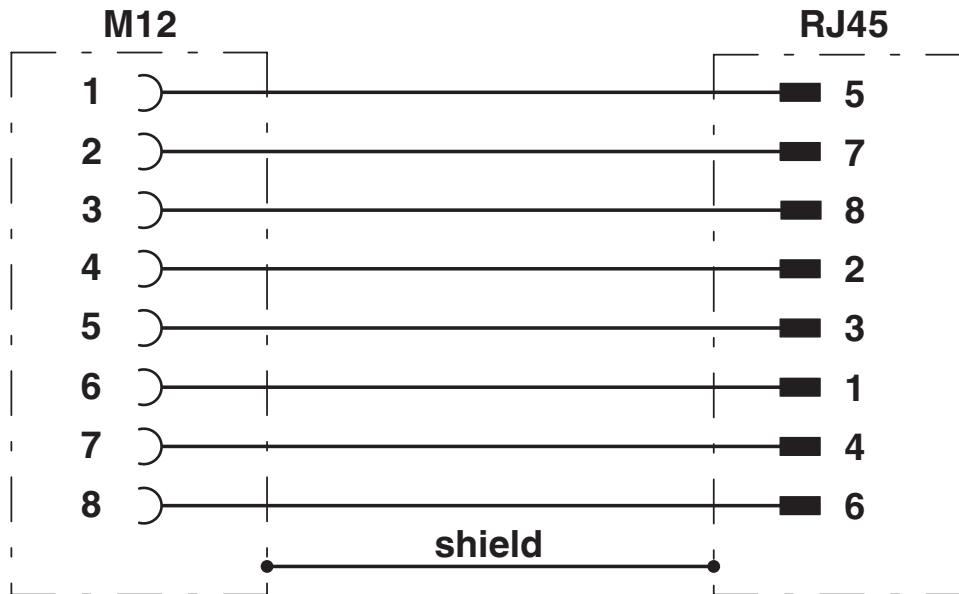
# CUC-BH-M12A1PBK-S/R4BE - Control cabinet feed-through



1414396

<https://www.phoenixcontact.com/us/products/1414396>

Circuit diagram



Circuit diagram

# CUC-BH-M12A1PBK-S/R4BE - Control cabinet feed-through





1414396

<https://www.phoenixcontact.com/us/products/1414396>

## Approvals

To download certificates, visit the product detail page: <https://www.phoenixcontact.com/us/products/1414396>

 <b>UL Listed</b> Approval ID: E335024-20140306				
	Nominal voltage $U_N$	Nominal current $I_N$	Cross section AWG	Cross section $\text{mm}^2$
keine				
	60 V	0.5 A	-	-

 <b>cUL Listed</b> Approval ID: E335024-20140306				
	Nominal voltage $U_N$	Nominal current $I_N$	Cross section AWG	Cross section $\text{mm}^2$
keine				
	60 V	0.5 A	-	-

# CUC-BH-M12A1PBK-S/R4BE - Control cabinet feed-through



1414396

<https://www.phoenixcontact.com/us/products/1414396>

## Classifications

### ECLASS

ECLASS-13.0	27440390
ECLASS-15.0	27440325

### UNSPSC

UNSPSC 21.0	39121400
-------------	----------

# CUC-BH-M12A1PBK-S/R4BE - Control cabinet feed-through



1414396

<https://www.phoenixcontact.com/us/products/1414396>

## Environmental product compliance

### EU RoHS

Fulfills EU RoHS substance requirements	Yes
Exemption	6(c)

### China RoHS

Environment friendly use period (EFUP)	EFUP-50
	An article-related China RoHS declaration table can be found in the download area for the respective article under "Manufacturer declaration". For all articles with EFUP-E, no China RoHS declaration table issued and required.

### EU REACH SVHC

REACH candidate substance (CAS No.)	Lead(CAS: 7439-92-1)
SCIP	c979102b-8c15-414b-b2b6-e669b6e10ee4

### EF3.1 Climate Change

CO2e kg	1.878 kg CO2e
---------	---------------

Phoenix Contact 2026 © - all rights reserved  
<https://www.phoenixcontact.com>

Phoenix Contact USA  
586 Fulling Mill Road  
Middletown, PA 17057, United States  
(+717) 944-1300  
[info@phoenixcon.com](mailto:info@phoenixcon.com)