

HC-M-00 - Dummy module

1414353

<https://www.phoenixcontact.com/us/products/1414353>

Please be informed that the data shown in this PDF document is generated from our online catalog. Please find the complete data in the user documentation. Our general terms of use for downloads are valid.

HEAVYCON dummy module, for unused slots in the module carrier frame



Commercial data

| | |
|--------------------------------------|---------------|
| Item number | 1414353 |
| Packing unit | 5 pc |
| Minimum order quantity | 1 pc |
| Sales key | BF62 |
| Product key | AF7ACE |
| GTIN | 4055626024660 |
| Weight per piece (including packing) | 4.56 g |
| Weight per piece (excluding packing) | 4 g |
| Customs tariff number | 39269097 |
| Country of origin | PL |

HC-M-00 - Dummy module

1414353

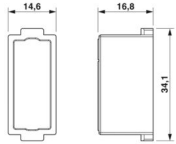
<https://www.phoenixcontact.com/us/products/1414353>

Technical data

Product properties

| | |
|------------------------|--------------|
| Product type | Dummy module |
| Series | HC-M-00 |
| Application | Dummy module |
| Number of module slots | 1 |

Dimensions

| | |
|---------------------|--|
| Dimensional drawing |  |
| Width | 34.2 mm |
| Height | 16.8 mm |
| Length | 14.6 mm |

Material specifications

| | |
|--|----|
| Material | PC |
| Flammability rating according to UL 94 | V0 |
| Contact carrier material | PC |

Environmental and real-life conditions

Ambient conditions

| | |
|---------------------------------|-------------------|
| Ambient temperature (operation) | -40 °C ... 125 °C |
|---------------------------------|-------------------|

HC-M-00 - Dummy module

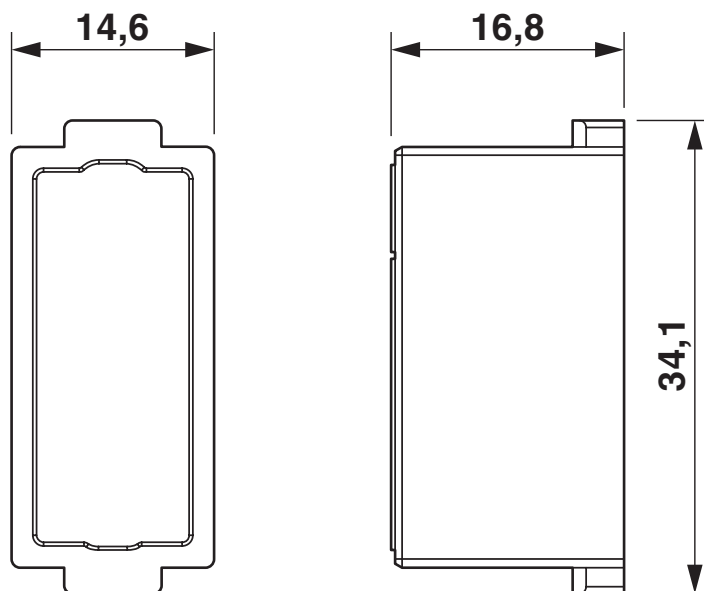
1414353

<https://www.phoenixcontact.com/us/products/1414353>



Drawings

Dimensional drawing



HC-M-00

HC-M-00 - Dummy module



1414353

<https://www.phoenixcontact.com/us/products/1414353>

Approvals

To download certificates, visit the product detail page: <https://www.phoenixcontact.com/us/products/1414353>



CSA

Approval ID: 158887



UL Recognized

Approval ID: E118976

HC-M-00 - Dummy module

1414353

<https://www.phoenixcontact.com/us/products/1414353>



Classifications

ECLASS

| | |
|-------------|----------|
| ECLASS-13.0 | 27440192 |
| ECLASS-15.0 | 27440192 |

ETIM

| | |
|-----------|----------|
| ETIM 10.0 | EC002943 |
|-----------|----------|

UNSPSC

| | |
|-------------|----------|
| UNSPSC 21.0 | 39121400 |
|-------------|----------|

HC-M-00 - Dummy module



1414353

<https://www.phoenixcontact.com/us/products/1414353>

Environmental product compliance

EU RoHS

| | |
|---|--------------------|
| Fulfills EU RoHS substance requirements | Yes, No exemptions |
|---|--------------------|

China RoHS

| | |
|--|--|
| Environment friendly use period (EFUP) | EFUP-E |
| | No hazardous substances above the limits |

EU REACH SVHC

| | |
|-------------------------------------|----------------------------|
| REACH candidate substance (CAS No.) | No substance above 0.1 wt% |
|-------------------------------------|----------------------------|

EF3.1 Climate Change

| | |
|---------|---------------|
| CO2e kg | 0.025 kg CO2e |
|---------|---------------|

Phoenix Contact 2026 © - all rights reserved
<https://www.phoenixcontact.com>

Phoenix Contact USA
586 Fulling Mill Road
Middletown, PA 17057, United States
(+717) 944-1300
info@phoenixcon.com