

# HC-B-TA-NPT-1 1/4-ER-AL - Adapter



1414267

<https://www.phoenixcontact.com/us/products/1414267>

Please be informed that the data shown in this PDF document is generated from our online catalog. Please find the complete data in the user documentation. Our general terms of use for downloads are valid.

Adapter, aluminum, for EVO housing, NPT- 1 1/4 " thread



## Commercial data

Item number	1414267
Packing unit	1 pc
Minimum order quantity	1 pc
Sales key	BF57
Product key	AF7APM
GTIN	4055626022291
Weight per piece (including packing)	78.7 g
Weight per piece (excluding packing)	78.7 g
Customs tariff number	85389099
Country of origin	DE

# HC-B-TA-NPT-1 1/4-ER-AL - Adapter



1414267

<https://www.phoenixcontact.com/us/products/1414267>

## Technical data

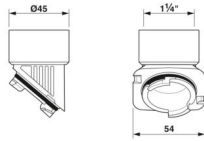
### Product properties

Product type	Thread adapter
Application	Bayonet B - NPT

### Connection data

Tightening torque	... 12 Nm
-------------------	-----------

### Dimensions

Dimensional drawing	
Thread type on seal side	1 1/4 in. NPT

### Internal dimensions

Length of internal thread	18 mm
---------------------------	-------

### Material specifications

Color	aluminum color
Material	Die-cast aluminum, corrosion-resistant
Seal material	NBR
Housing material	Die-cast aluminum, corrosion resistant

### Environmental and real-life conditions

#### Ambient conditions

Degree of protection	IP66 IP67
Enclosure rating (NEMA)	4 (UL 50e) 4X (UL 50e) 12 (UL 50e)
Ambient temperature (operation)	-40 °C ... 125 °C

# HC-B-TA-NPT-1 1/4-ER-AL - Adapter

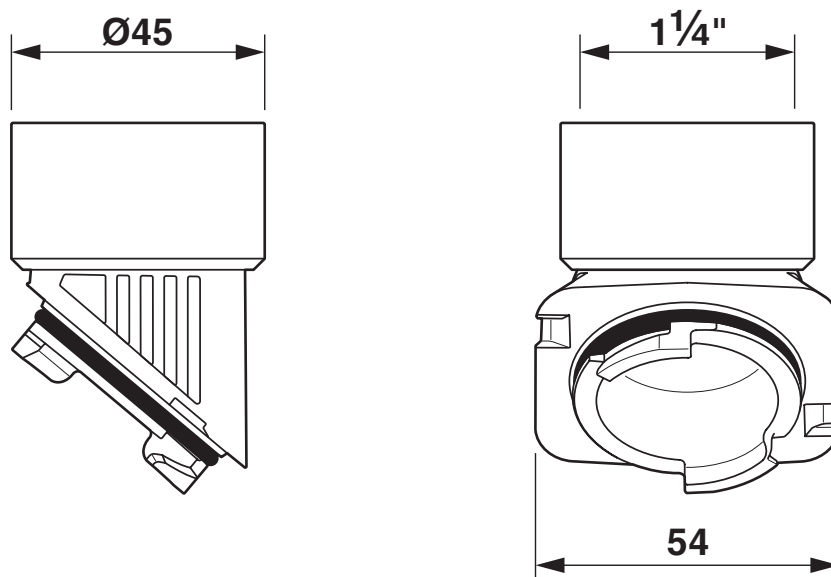


1414267

<https://www.phoenixcontact.com/us/products/1414267>

## Drawings

Dimensional drawing



Dimensional drawing

# HC-B-TA-NPT-1 1/4-ER-AL - Adapter



1414267

<https://www.phoenixcontact.com/us/products/1414267>

## Approvals

To download certificates, visit the product detail page: <https://www.phoenixcontact.com/us/products/1414267>

**DNV**

Approval ID: TAE000037S



**cUL Recognized**

Approval ID: E255026



**UL Recognized**

Approval ID: E255026



**EAC**

Approval ID: RU C-DE.AI30.B.01102

# HC-B-TA-NPT-1 1/4-ER-AL - Adapter



1414267

<https://www.phoenixcontact.com/us/products/1414267>

## Classifications

### ECLASS

ECLASS-13.0	27140801
ECLASS-15.0	27140801

### ETIM

ETIM 10.0	EC000441
-----------	----------

### UNSPSC

UNSPSC 21.0	39121400
-------------	----------

# HC-B-TA-NPT-1 1/4-ER-AL - Adapter



1414267

<https://www.phoenixcontact.com/us/products/1414267>

## Environmental product compliance

### EU RoHS

Fulfills EU RoHS substance requirements	Yes, No exemptions
---	--------------------

### China RoHS

Environment friendly use period (EFUP)	EFUP-E
	No hazardous substances above the limits

### EU REACH SVHC

REACH candidate substance (CAS No.)	No substance above 0.1 wt%
-------------------------------------	----------------------------

Phoenix Contact 2026 © - all rights reserved  
<https://www.phoenixcontact.com>

Phoenix Contact USA  
586 Fulling Mill Road  
Middletown, PA 17057, United States  
(+717) 944-1300  
[info@phoenixcon.com](mailto:info@phoenixcon.com)