

# HC-B-TA-PG13-ER-AL - Adapter

1414260

<https://www.phoenixcontact.com/us/products/1414260>

Please be informed that the data shown in this PDF document is generated from our online catalog. Please find the complete data in the user documentation. Our general terms of use for downloads are valid.

Adapter, aluminum, for EVO housing, Pg13.5 thread



## Commercial data

|                                      |               |
|--------------------------------------|---------------|
| Item number                          | 1414260       |
| Packing unit                         | 1 pc          |
| Minimum order quantity               | 1 pc          |
| Sales key                            | BF57          |
| Product key                          | AF7APM        |
| GTIN                                 | 4055626022222 |
| Weight per piece (including packing) | 110.7 g       |
| Weight per piece (excluding packing) | 110.7 g       |
| Customs tariff number                | 85389099      |
| Country of origin                    | DE            |

# HC-B-TA-PG13-ER-AL - Adapter

1414260

<https://www.phoenixcontact.com/us/products/1414260>

## Technical data

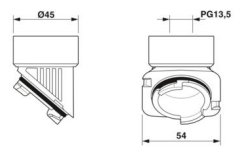
### Product properties

|                              |                |
|------------------------------|----------------|
| Product type                 | Thread adapter |
| Application                  | Bayonet B - Pg |
| Type of the screw connection | Pg13.5         |

### Connection data

|                   |             |
|-------------------|-------------|
| Tightening torque | ... 6.25 Nm |
|-------------------|-------------|

### Dimensions

|                          |  |
|--------------------------|--|
| Dimensional drawing      |  |
| Thread type on seal side | Pg13,5   |

### Internal dimensions

|                           |       |
|---------------------------|-------|
| Length of internal thread | 13 mm |
|---------------------------|-------|

### Material specifications

|                      |  |
|----------------------|--|
| Color                | aluminum color                         |
| Material             | Die-cast aluminum, corrosion-resistant |
| Seal material O-ring | NBR                                    |
| Housing material     | Die-cast aluminum, corrosion resistant |

### Mechanical properties

#### Mechanical data

|                              |        |
|------------------------------|--------|
| Type of the screw connection | Pg13.5 |
|------------------------------|--------|

### Environmental and real-life conditions

#### Ambient conditions

|                                 |                   |
|---------------------------------|-------------------|
| Degree of protection            | IP66              |
|                                 | IP67              |
| Enclosure rating (NEMA)         | 4 (UL 50e)        |
|                                 | 4X (UL 50e)       |
|                                 | 12 (UL 50e)       |
| Ambient temperature (operation) | -40 °C ... 125 °C |

# HC-B-TA-PG13-ER-AL - Adapter

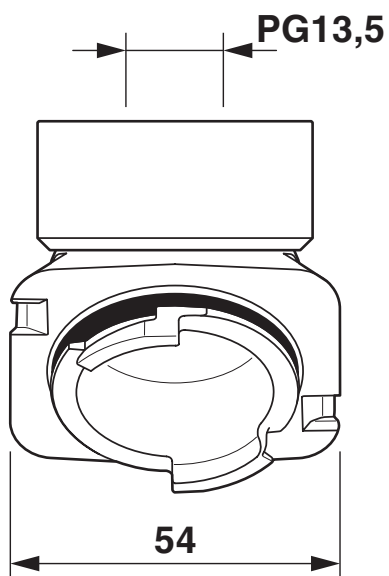
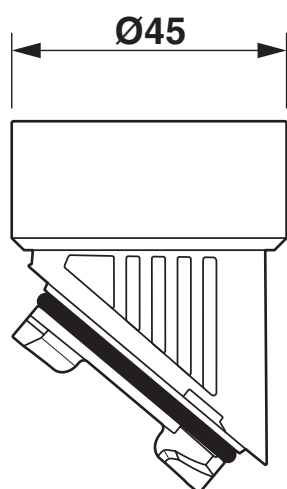
1414260

<https://www.phoenixcontact.com/us/products/1414260>



## Drawings

Dimensional drawing



Dimensional drawing

# HC-B-TA-PG13-ER-AL - Adapter



1414260

<https://www.phoenixcontact.com/us/products/1414260>

## Approvals

To download certificates, visit the product detail page: <https://www.phoenixcontact.com/us/products/1414260>

**DNV**

Approval ID: TAE000037S



**cUL Recognized**

Approval ID: E255026



**UL Recognized**

Approval ID: E255026



**EAC**

Approval ID: RU C-DE.AI30.B.01102

# HC-B-TA-PG13-ER-AL - Adapter



1414260

<https://www.phoenixcontact.com/us/products/1414260>

## Classifications

### ECLASS

|             |          |
|-------------|----------|
| ECLASS-13.0 | 27140801 |
| ECLASS-15.0 | 27140801 |

### ETIM

|           |          |
|-----------|----------|
| ETIM 10.0 | EC000441 |
|-----------|----------|

### UNSPSC

|             |          |
|-------------|----------|
| UNSPSC 21.0 | 39121400 |
|-------------|----------|

# HC-B-TA-PG13-ER-AL - Adapter



1414260

<https://www.phoenixcontact.com/us/products/1414260>

## Environmental product compliance

### EU RoHS

|   |                    |
|---|--------------------|
| Fulfills EU RoHS substance requirements | Yes, No exemptions |
|---|--------------------|

### China RoHS

|  |  |
|--|--|
| Environment friendly use period (EFUP) | EFUP-E                                   |
|  | No hazardous substances above the limits |

### EU REACH SVHC

|                                     |                            |
|-------------------------------------|----------------------------|
| REACH candidate substance (CAS No.) | No substance above 0.1 wt% |
|-------------------------------------|----------------------------|

Phoenix Contact 2026 © - all rights reserved  
<https://www.phoenixcontact.com>

Phoenix Contact USA  
586 Fulling Mill Road  
Middletown, PA 17057, United States  
(+717) 944-1300  
[info@phoenixcon.com](mailto:info@phoenixcon.com)