

# HC-B-TA-NPT-1/2-PLR-BK - Adapter



1414251

<https://www.phoenixcontact.com/us/products/1414251>

Please be informed that the data shown in this PDF document is generated from our online catalog. Please find the complete data in the user documentation. Our general terms of use for downloads are valid.

Plastic thread adapter with bayonet lock, for EVO housing series B, NPT 1/2" thread



## Commercial data

Item number	1414251
Packing unit	1 pc
Minimum order quantity	1 pc
Sales key	BF57
Product key	AF7APL
GTIN	4055626022147
Weight per piece (including packing)	20.98 g
Weight per piece (excluding packing)	20.85 g
Customs tariff number	85389099
Country of origin	PL

# HC-B-TA-NPT-1/2-PLR-BK - Adapter

1414251

<https://www.phoenixcontact.com/us/products/1414251>

## Technical data

### Product properties

Product type	Thread adapter
Application	Bayonet B - NPT

### Connection data

Tightening torque	... 8 Nm
-------------------	----------

### Dimensions

Dimensional drawing	
Thread type on seal side	1/2-inch NPT

### Internal dimensions

Length of internal thread	15 mm
---------------------------	-------

### Material specifications

Flammability rating according to UL 94	V0
Seal material	NBR
Housing material	PA

### Environmental and real-life conditions

#### Ambient conditions

Degree of protection	IP66
Ambient temperature (operation)	-40 °C ... 100 °C

### Mounting

Assembly note	Bayonet locking max. 3x can be removed The plastic thread adapter does not establish an electrical connection between the cable gland and connector housing. For this reason, only plastic cable protection systems or plastic cable glands may be used.
---------------	---

# HC-B-TA-NPT-1/2-PLR-BK - Adapter

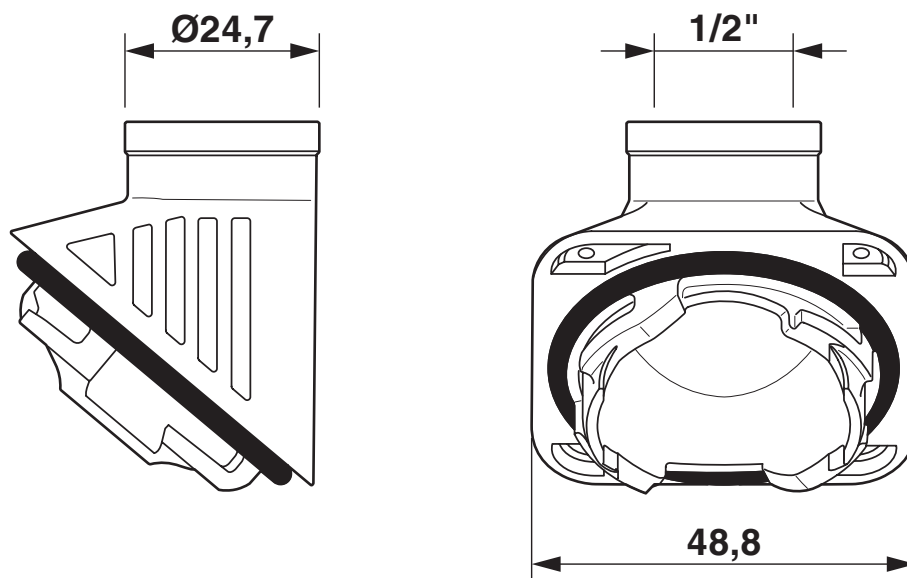


1414251

<https://www.phoenixcontact.com/us/products/1414251>

## Drawings

Dimensional drawing



Dimensional drawing

# HC-B-TA-NPT-1/2-PLR-BK - Adapter



1414251

<https://www.phoenixcontact.com/us/products/1414251>

## Approvals

To download certificates, visit the product detail page: <https://www.phoenixcontact.com/us/products/1414251>

**DNV**

Approval ID: TAE000037S



**cUL Recognized**

Approval ID: E255026



**UL Recognized**

Approval ID: E255026



**EAC**

Approval ID: RU C-DE.AI30.B.01102

# HC-B-TA-NPT-1/2-PLR-BK - Adapter



1414251

<https://www.phoenixcontact.com/us/products/1414251>

## Classifications

### ECLASS

ECLASS-13.0	27140801
ECLASS-15.0	27140801

### ETIM

ETIM 10.0	EC000441
-----------	----------

### UNSPSC

UNSPSC 21.0	39121400
-------------	----------

# HC-B-TA-NPT-1/2-PLR-BK - Adapter



1414251

<https://www.phoenixcontact.com/us/products/1414251>

## Environmental product compliance

### EU RoHS

Fulfills EU RoHS substance requirements	Yes, No exemptions
---	--------------------

### China RoHS

Environment friendly use period (EFUP)	EFUP-E
	No hazardous substances above the limits

### EU REACH SVHC

REACH candidate substance (CAS No.)	No substance above 0.1 wt%
-------------------------------------	----------------------------

### EF3.1 Climate Change

CO2e kg	0.246 kg CO2e
---------	---------------

Phoenix Contact 2026 © - all rights reserved  
<https://www.phoenixcontact.com>

Phoenix Contact USA  
586 Fulling Mill Road  
Middletown, PA 17057, United States  
(+717) 944-1300  
[info@phoenixcon.com](mailto:info@phoenixcon.com)