

HC-B-TA-PG29-PLR-BK - Adapter

1414250

<https://www.phoenixcontact.com/us/products/1414250>

Please be informed that the data shown in this PDF document is generated from our online catalog. Please find the complete data in the user documentation. Our general terms of use for downloads are valid.

Plastic thread adapter with bayonet lock, for EVO housing series B, Pg29 thread



Commercial data

Item number	1414250
Packing unit	1 pc
Minimum order quantity	1 pc
Sales key	BF57
Product key	AF7APL
GTIN	4055626022130
Weight per piece (including packing)	31.7 g
Weight per piece (excluding packing)	31.7 g
Customs tariff number	85389099
Country of origin	PL

HC-B-TA-PG29-PLR-BK - Adapter

1414250

<https://www.phoenixcontact.com/us/products/1414250>

Technical data

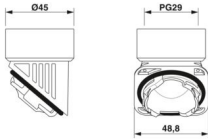
Product properties

Product type	Thread adapter
Application	Bayonet B - Pg
Type of the screw connection	Pg29

Connection data

Tightening torque	... 10 Nm
-------------------	-----------

Dimensions

Dimensional drawing	
Thread type on seal side	Pg29

Internal dimensions

Length of internal thread	12 mm
---------------------------	-------

Material specifications

Flammability rating according to UL 94	V0
Seal material O-ring	NBR
Housing material	PA

Mechanical properties

Mechanical data

Type of the screw connection	Pg29
------------------------------	------

Environmental and real-life conditions

Ambient conditions

Degree of protection	IP66
Ambient temperature (operation)	-40 °C ... 80 °C

Mounting

Assembly note	Bayonet locking max. 3x can be removed The plastic thread adapter does not establish an electrical connection between the cable gland and connector housing. For this reason, only plastic cable protection systems or plastic cable glands may be used.
---------------	---

HC-B-TA-PG29-PLR-BK - Adapter

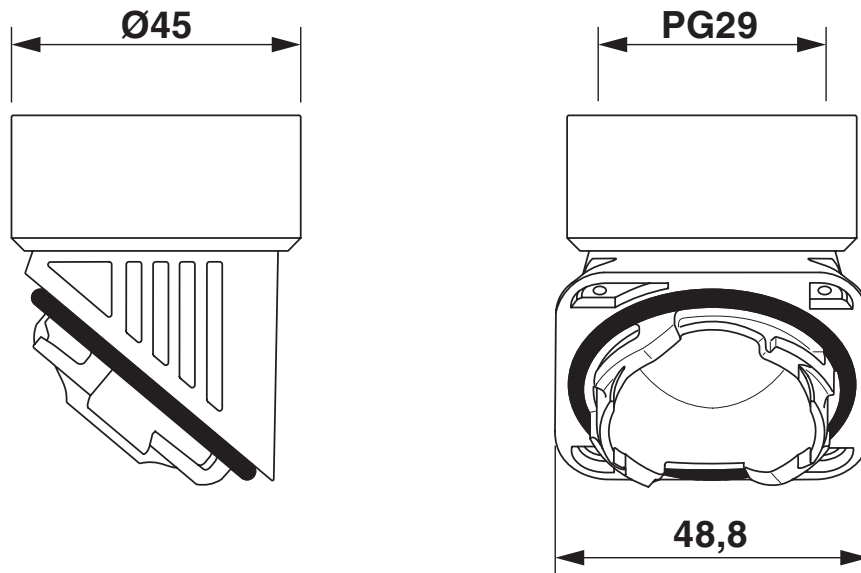


1414250

<https://www.phoenixcontact.com/us/products/1414250>

Drawings

Dimensional drawing



Dimensional drawing

HC-B-TA-PG29-PLR-BK - Adapter



1414250

<https://www.phoenixcontact.com/us/products/1414250>

Approvals

To download certificates, visit the product detail page: <https://www.phoenixcontact.com/us/products/1414250>

DNV

Approval ID: TAE000037S



cUL Recognized

Approval ID: E255026



UL Recognized

Approval ID: E255026



EAC

Approval ID: RU C-DE.AI30.B.01102

HC-B-TA-PG29-PLR-BK - Adapter



1414250

<https://www.phoenixcontact.com/us/products/1414250>

Classifications

ECLASS

ECLASS-15.0	27140801
ECLASS-13.0	27140801

ETIM

ETIM 10.0	EC000441
-----------	----------

UNSPSC

UNSPSC 21.0	39121400
-------------	----------

HC-B-TA-PG29-PLR-BK - Adapter



1414250

<https://www.phoenixcontact.com/us/products/1414250>

Environmental product compliance

EU RoHS

Fulfills EU RoHS substance requirements	Yes, No exemptions
---	--------------------

China RoHS

Environment friendly use period (EFUP)	EFUP-E
	No hazardous substances above the limits

EU REACH SVHC

REACH candidate substance (CAS No.)	No substance above 0.1 wt%
-------------------------------------	----------------------------

EF3.1 Climate Change

CO2e kg	1.667 kg CO2e
---------	---------------

Phoenix Contact 2026 © - all rights reserved
<https://www.phoenixcontact.com>

Phoenix Contact USA
586 Fulling Mill Road
Middletown, PA 17057, United States
(+717) 944-1300
info@phoenixcon.com