

# HC-B-TA-PG16-PLR-BK - Adapter

1414248

<https://www.phoenixcontact.com/us/products/1414248>

Please be informed that the data shown in this PDF document is generated from our online catalog. Please find the complete data in the user documentation. Our general terms of use for downloads are valid.

Plastic thread adapter with bayonet lock, for EVO housing series B, Pg16 thread



## Commercial data

Item number	1414248
Packing unit	1 pc
Minimum order quantity	1 pc
Sales key	BF57
Product key	AF7APL
GTIN	4055626022116
Weight per piece (including packing)	25.6 g
Weight per piece (excluding packing)	25.3 g
Customs tariff number	85389099
Country of origin	PL

# HC-B-TA-PG16-PLR-BK - Adapter

1414248

<https://www.phoenixcontact.com/us/products/1414248>

## Technical data

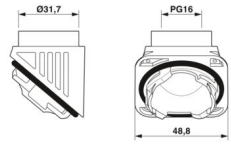
### Product properties

Product type	Thread adapter
Application	Bayonet B - Pg
Type of the screw connection	Pg16

### Connection data

Tightening torque	... 6 Nm
-------------------	----------

### Dimensions

Dimensional drawing	
Thread type on seal side	Pg16

### Internal dimensions

Length of internal thread	10 mm
---------------------------	-------

### Material specifications

Material	PA
Flammability rating according to UL 94	V0
Seal material O-ring	NBR
Housing material	PA

### Mechanical properties

#### Mechanical data

Type of the screw connection	Pg16
------------------------------	------

### Environmental and real-life conditions

#### Ambient conditions

Degree of protection	IP66
Ambient temperature (operation)	-40 °C ... 100 °C

### Mounting

Assembly note	Bayonet locking max. 3x can be removed The plastic thread adapter does not establish an electrical connection between the cable gland and connector housing. For this reason, only plastic cable protection systems or plastic cable glands may be used.
---------------	---

# HC-B-TA-PG16-PLR-BK - Adapter

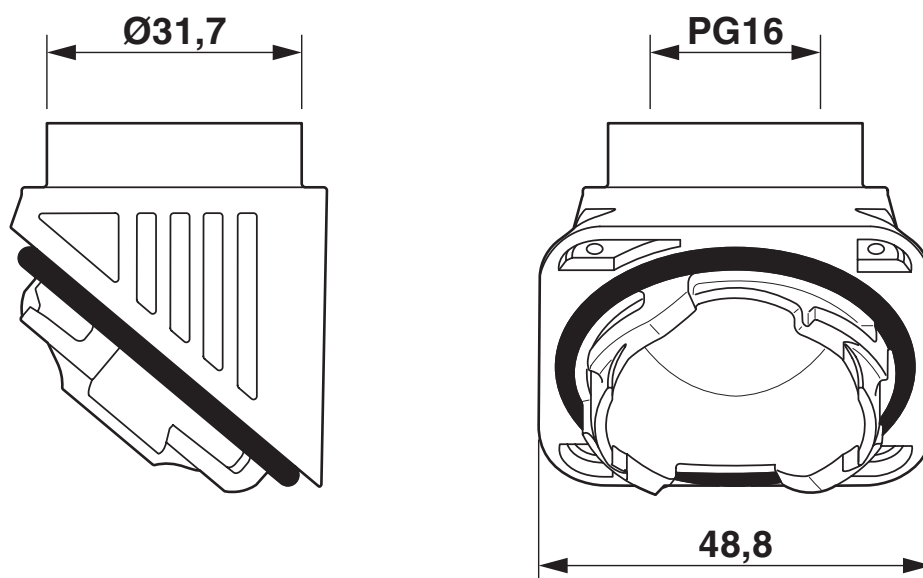


1414248

<https://www.phoenixcontact.com/us/products/1414248>

## Drawings

Dimensional drawing



Dimensional drawing

# HC-B-TA-PG16-PLR-BK - Adapter



1414248

<https://www.phoenixcontact.com/us/products/1414248>

## Approvals

To download certificates, visit the product detail page: <https://www.phoenixcontact.com/us/products/1414248>

**DNV**

Approval ID: TAE000037S



**cUL Recognized**

Approval ID: E255026



**UL Recognized**

Approval ID: E255026



**EAC**

Approval ID: RU C-DE.AI30.B.01102

# HC-B-TA-PG16-PLR-BK - Adapter



1414248

<https://www.phoenixcontact.com/us/products/1414248>

## Classifications

### ECLASS

ECLASS-13.0	27140801
ECLASS-15.0	27140801

### ETIM

ETIM 10.0	EC000441
-----------	----------

### UNSPSC

UNSPSC 21.0	39121400
-------------	----------

# HC-B-TA-PG16-PLR-BK - Adapter



1414248

<https://www.phoenixcontact.com/us/products/1414248>

## Environmental product compliance

### EU RoHS

Fulfills EU RoHS substance requirements	Yes, No exemptions
---	--------------------

### China RoHS

Environment friendly use period (EFUP)	EFUP-E
	No hazardous substances above the limits

### EU REACH SVHC

REACH candidate substance (CAS No.)	No substance above 0.1 wt%
-------------------------------------	----------------------------

### EF3.1 Climate Change

CO2e kg	0.264 kg CO2e
---------	---------------

Phoenix Contact 2026 © - all rights reserved  
<https://www.phoenixcontact.com>

Phoenix Contact USA  
586 Fulling Mill Road  
Middletown, PA 17057, United States  
(+717) 944-1300  
[info@phoenixcon.com](mailto:info@phoenixcon.com)