

# CUC-V14-F1S-EM/R4B8 - Panel-mount frame



1413966

<https://www.phoenixcontact.com/us/products/1413966>

Please be informed that the data shown in this PDF document is generated from our online catalog. Please find the complete data in the user documentation. Our general terms of use for downloads are valid.



RJ45 panel mounting frame, IP67, for push-pull interlocking, metal, for rectangular mounting cutout, with seal and mounting screws, incl. RJ45 coupling module

## Commercial data

Item number	1413966
Packing unit	1 pc
Minimum order quantity	1 pc
Product key	ABNODB
GTIN	4055626082165
Weight per piece (including packing)	45.3 g
Weight per piece (excluding packing)	40.249 g
Country of origin	PL

# CUC-V14-F1S-EM/R4B8 - Panel-mount frame



1413966

<https://www.phoenixcontact.com/us/products/1413966>

## Technical data

### Product properties

Product type	Panel-mount frame
Type	RJ45
Number of positions	8
Connection profile	RJ45
Number of slots	2

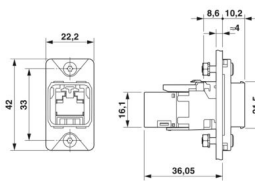
### Insulation characteristics

Degree of pollution	2
---------------------	---

### Electrical properties

Rated voltage (III/3)	72 V (DC)
Rated surge voltage	1 kV
Operating voltage	72 V (DC)
Frequency range	250 MHz
Insulation resistance	> 500 MΩ
Transmission medium	Copper
Transmission speed	1 Gbps

### Dimensions

Dimensional drawing	
Width	22.2 mm
Height	42 mm
Length	46.2 mm

### Material specifications

Material	Metal
Flammability rating according to UL 94	V0
Seal material	NBR
	NBR
Housing material	Metal
Housing surface material	nickel-plated
Material, protective cover	PC

### Cable/line

Shielded	yes
----------	-----

# CUC-V14-F1S-EM/R4B8 - Panel-mount frame



1413966

<https://www.phoenixcontact.com/us/products/1413966>

## Mechanical properties

### Mechanical data

Insertion/withdrawal cycles	≥ 750
-----------------------------	-------

## Environmental and real-life conditions

### Ambient conditions

Degree of protection	IP65/IP67
Ambient temperature (operation)	-10 °C ... 60 °C
Ambient temperature (storage/transport)	-40 °C ... 70 °C
Ambient temperature (assembly)	-10 °C ... 60 °C

# CUC-V14-F1S-EM/R4B8 - Panel-mount frame

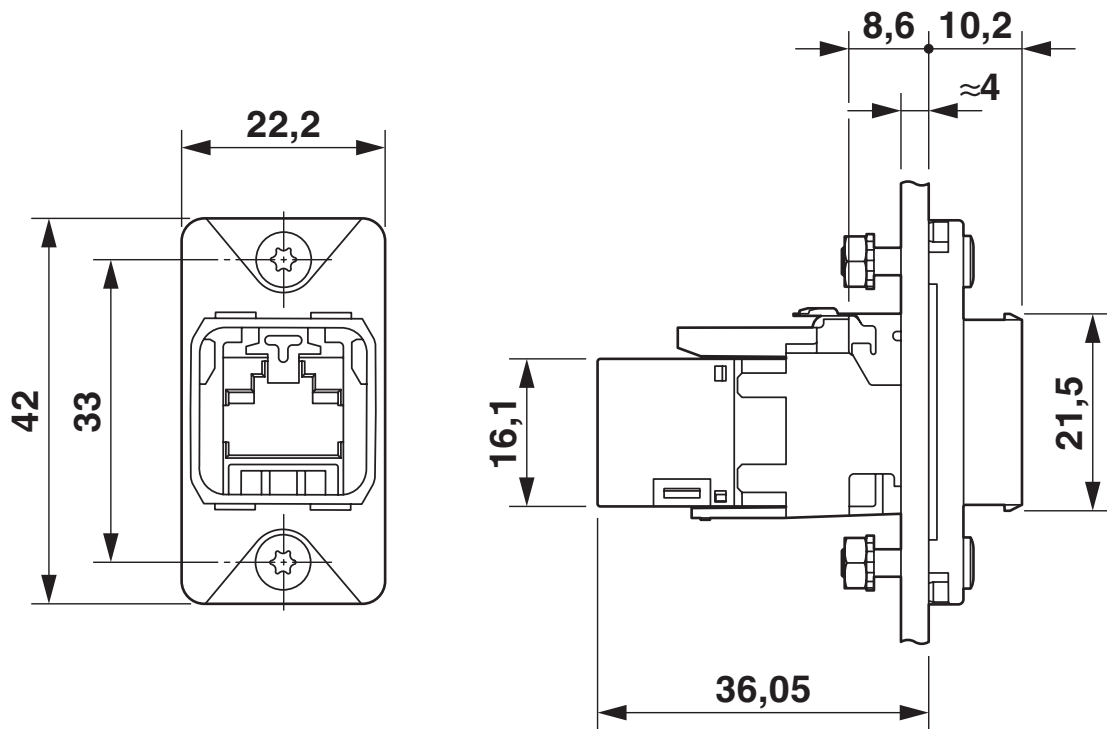


1413966

<https://www.phoenixcontact.com/us/products/1413966>

## Drawings

Dimensional drawing



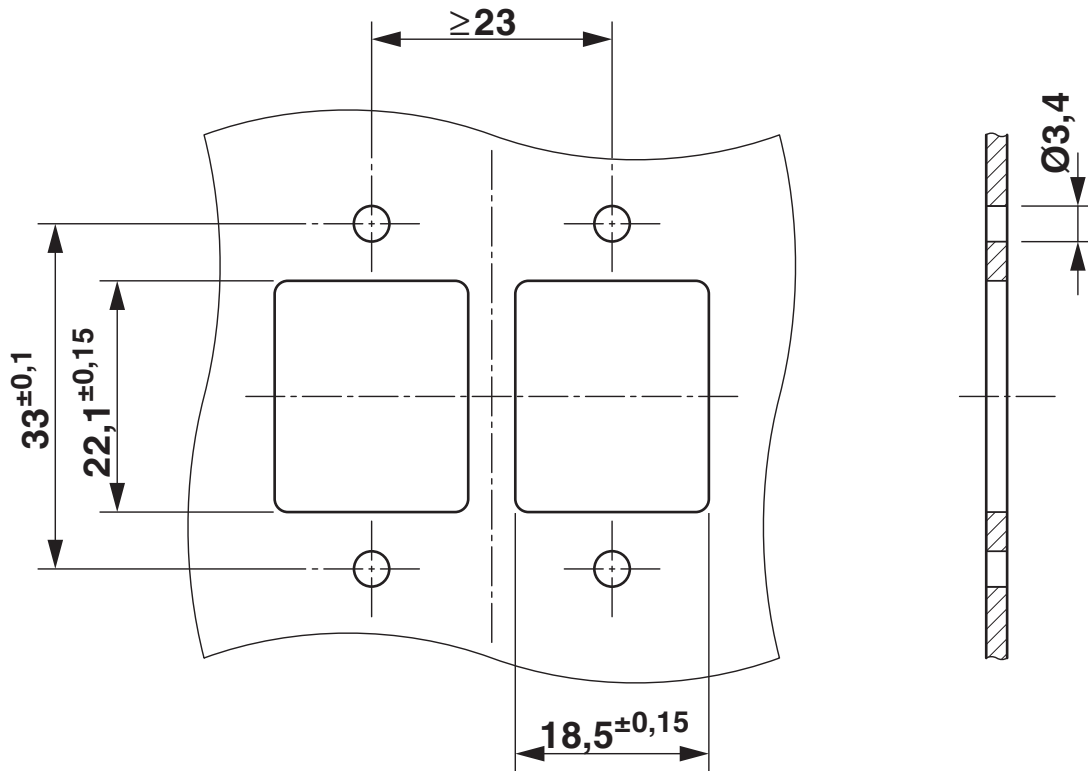
# CUC-V14-F1S-EM/R4B8 - Panel-mount frame

1413966

<https://www.phoenixcontact.com/us/products/1413966>



Drilling plan/solder pad geometry



# CUC-V14-F1S-EM/R4B8 - Panel-mount frame



1413966

<https://www.phoenixcontact.com/us/products/1413966>

## Classifications

### ECLASS

ECLASS-13.0

27440210

### ETIM

ETIM 9.0

EC002310

### UNSPSC

UNSPSC 21.0

39121400

# CUC-V14-F1S-EM/R4B8 - Panel-mount frame



1413966

<https://www.phoenixcontact.com/us/products/1413966>

## Environmental product compliance

### EU RoHS

Fulfills EU RoHS substance requirements	Yes, No exemptions
---	--------------------

### China RoHS

Environment friendly use period (EFUP)	EFUP-E
	No hazardous substances above the limits

### EU REACH SVHC

REACH candidate substance (CAS No.)	No substance above 0.1 wt%
-------------------------------------	----------------------------

Phoenix Contact 2026 © - all rights reserved  
<https://www.phoenixcontact.com>

Phoenix Contact USA  
586 Fulling Mill Road  
Middletown, PA 17057, United States  
(+717) 944-1300  
[info@phoenixcon.com](mailto:info@phoenixcon.com)