

CUC-V14-F1S-EM/R4F8 - Panel-mount frame



1413965

<https://www.phoenixcontact.com/us/products/1413965>

Please be informed that the data shown in this PDF document is generated from our online catalog. Please find the complete data in the user documentation. Our general terms of use for downloads are valid.



RJ45 panel mounting frame, IP67, for push-pull interlocking, metal, for rectangular mounting cutout, with seal and mounting screws, incl. RJ45 insert with IDC cable connection

Commercial data

Item number	1413965
Packing unit	1 pc
Minimum order quantity	1 pc
Product key	ABNODB
GTIN	4055626082158
Weight per piece (including packing)	48.1 g
Weight per piece (excluding packing)	41.898 g
Country of origin	PL

CUC-V14-F1S-EM/R4F8 - Panel-mount frame



1413965

<https://www.phoenixcontact.com/us/products/1413965>

Technical data

Product properties

Product type	Panel-mount frame
Type	RJ45
Number of positions	8
Connection profile	RJ45
Number of slots	1

Insulation characteristics

Degree of pollution	2
---------------------	---

Electrical properties

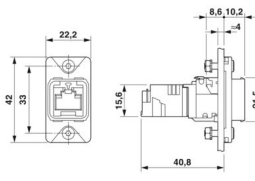
Rated voltage (III/3)	72 V (DC)
Rated surge voltage	1 kV
Operating voltage	72 V (DC)
Frequency range	500 MHz
Insulation resistance	> 500 M Ω (100 V DC)
Transmission medium	Copper
Transmission speed	10 Gbps

Connection data

Connection technology

Connection method	IDC connection
-------------------	----------------

Dimensions

Dimensional drawing	
Width	22.2 mm
Height	42 mm
Length	51 mm

Material specifications

Material	Metal
Flammability rating according to UL 94	V0
Seal material	NBR
	NBR
Housing material	Metal
Housing surface material	nickel-plated

CUC-V14-F1S-EM/R4F8 - Panel-mount frame



1413965

<https://www.phoenixcontact.com/us/products/1413965>

Material, protective cover	PC
----------------------------	----

Cable/line

Shielded	yes
Signal type/category	Ethernet CAT6 _A , 10 Gbps
External cable diameter	4.5 mm ... 9 mm
Wire diameter	0.4 mm ... 0.65 mm
Wire diameter including insulation	0.8 mm ... 1.6 mm

Mechanical properties

Mechanical data

Insertion/withdrawal cycles	≥ 750
-----------------------------	-------

Environmental and real-life conditions

Ambient conditions

Degree of protection	IP65/IP67
Ambient temperature (operation)	-10 °C ... 60 °C
Ambient temperature (storage/transport)	-40 °C ... 70 °C
Ambient temperature (assembly)	-5 °C ... 55 °C

CUC-V14-F1S-EM/R4F8 - Panel-mount frame

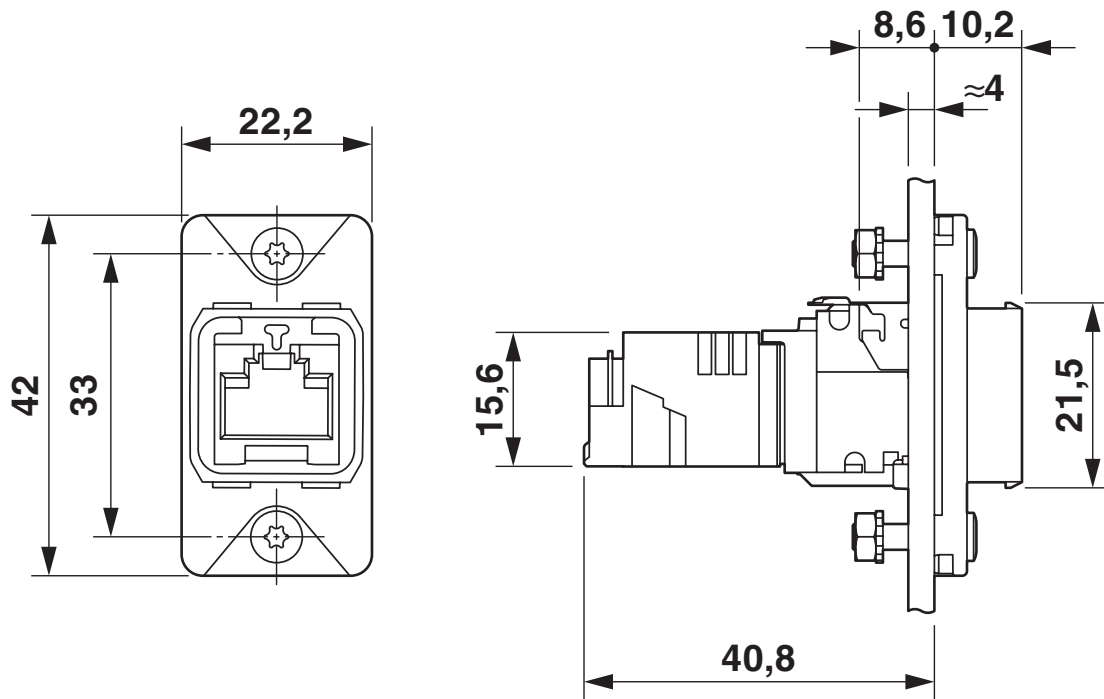


1413965

<https://www.phoenixcontact.com/us/products/1413965>

Drawings

Dimensional drawing



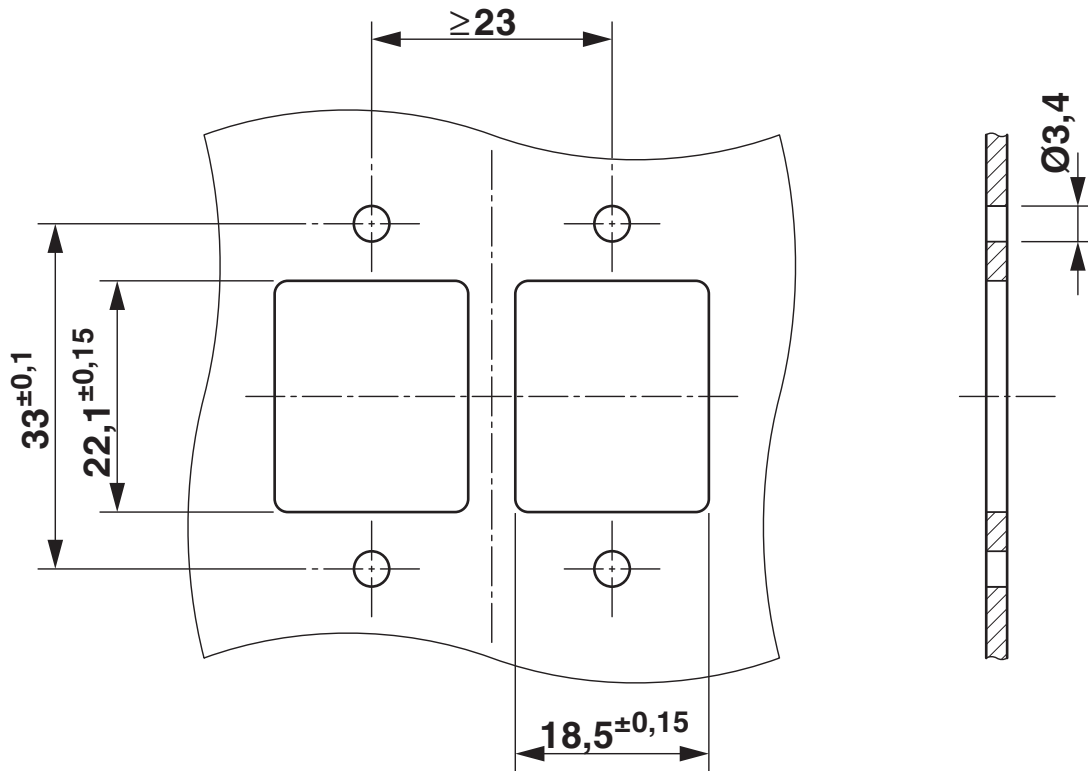
CUC-V14-F1S-EM/R4F8 - Panel-mount frame

1413965

<https://www.phoenixcontact.com/us/products/1413965>



Drilling plan/solder pad geometry



CUC-V14-F1S-EM/R4F8 - Panel-mount frame



1413965

<https://www.phoenixcontact.com/us/products/1413965>

Classifications

ECLASS

ECLASS-13.0

27440210

ETIM

ETIM 9.0

EC002310

UNSPSC

UNSPSC 21.0

39121400

CUC-V14-F1S-EM/R4F8 - Panel-mount frame



1413965

<https://www.phoenixcontact.com/us/products/1413965>

Environmental product compliance

EU RoHS

Fulfills EU RoHS substance requirements	Yes, No exemptions
---	--------------------

China RoHS

Environment friendly use period (EFUP)	EFUP-E
	No hazardous substances above the limits

EU REACH SVHC

REACH candidate substance (CAS No.)	No substance above 0.1 wt%
-------------------------------------	----------------------------

Phoenix Contact 2026 © - all rights reserved
<https://www.phoenixcontact.com>

Phoenix Contact USA
586 Fulling Mill Road
Middletown, PA 17057, United States
(+717) 944-1300
info@phoenixcon.com