

FOC-V14-F1ZNI-EM/SJB - Panel-mount frame



1413964

<https://www.phoenixcontact.com/us/products/1413964>

Please be informed that the data shown in this PDF document is generated from our online catalog. Please find the complete data in the user documentation. Our general terms of use for downloads are valid.



SC-RJ panel mounting frame, IP67, for push-pull interlocking, metal, for rectangular mounting cutout, with seal and mounting screws, incl. SC-RJ coupling

Your advantages

- High reliability with comprehensive quality assurance measures
- Intuitive front-panel operation and clear control cabinet layout thanks to uniform design

Commercial data

Item number	1413964
Packing unit	1 pc
Minimum order quantity	1 pc
Sales key	AB17
Product key	ABNODE
GTIN	4055626082387
Weight per piece (including packing)	34.1 g
Weight per piece (excluding packing)	31.096 g
Customs tariff number	85367000
Country of origin	PL

FOC-V14-F1ZNI-EM/SJB - Panel-mount frame



1413964

<https://www.phoenixcontact.com/us/products/1413964>

Technical data

Product properties

Product type	Panel-mount frame
Type	SC-RJ
Number of positions	2
Connection profile	SC-RJ

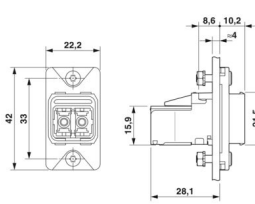
Insulation characteristics

Degree of pollution	2
---------------------	---

Electrical properties

Transmission medium	FO
Transmission speed	10 Gbps

Dimensions

Dimensional drawing	
Width	22.2 mm
Height	42 mm

Mechanical characteristics

Ferrule diameter	2.50 mm
------------------	---------

Material specifications

Material	Metal
Flammability rating according to UL 94	V0
Seal material	NBR
Ferrule material	Zirconia ceramics
Housing material	Metal
Housing surface material	nickel-plated
Contact carrier material	PPA

Cable/line

External cable diameter	≤ 10.00 mm (of 5 mm)
Resistance to oil	yes
Flame resistance	yes

Mechanical properties

FOC-V14-F1ZNI-EM/SJB - Panel-mount frame



1413964

<https://www.phoenixcontact.com/us/products/1413964>

Mechanical data

Insertion/withdrawal cycles	≥ 50
-----------------------------	------

Environmental and real-life conditions

Ambient conditions

Degree of protection	IP65/IP67
Ambient temperature (operation)	-40 °C ... 70 °C
Ambient temperature (storage/transport)	-40 °C ... 70 °C
Ambient temperature (assembly)	-10 °C ... 40 °C
Resistance to oil	yes

Standards and regulations

Flame resistance	yes
Resistance to oil	yes

FOC-V14-F1ZNI-EM/SJB - Panel-mount frame

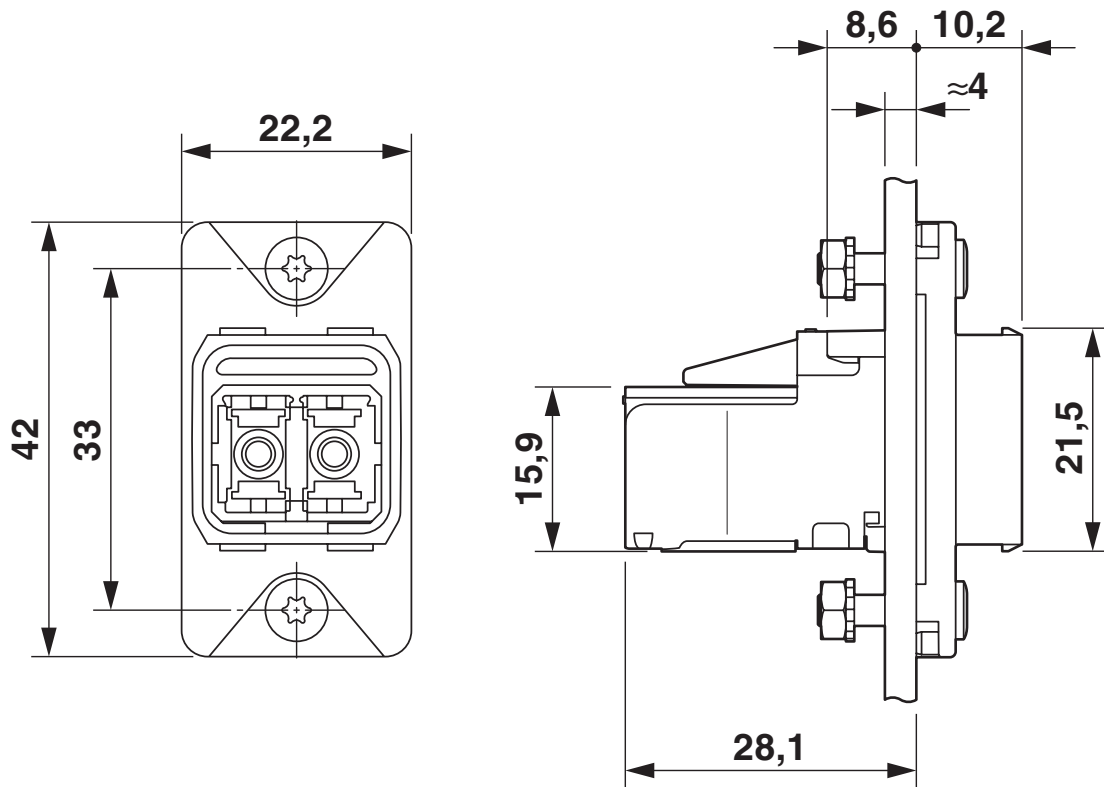


1413964

<https://www.phoenixcontact.com/us/products/1413964>

Drawings

Dimensional drawing



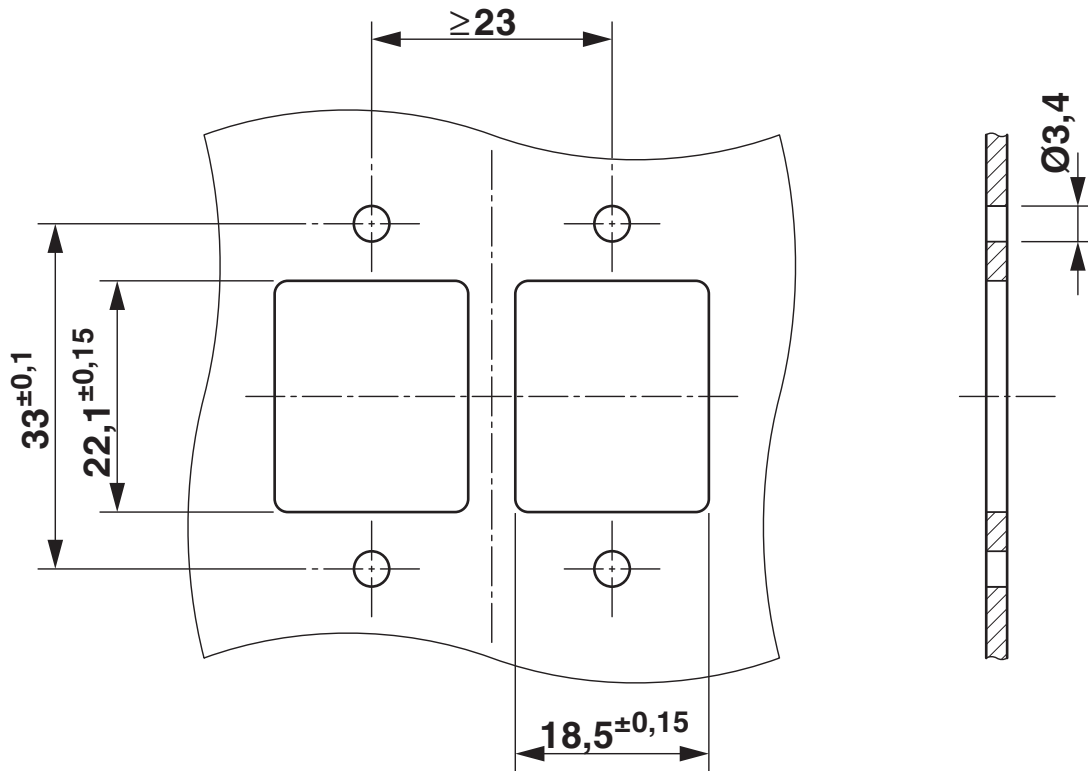
FOC-V14-F1ZNI-EM/SJB - Panel-mount frame

1413964

<https://www.phoenixcontact.com/us/products/1413964>



Drilling plan/solder pad geometry



FOC-V14-F1ZNI-EM/SJB - Panel-mount frame



1413964

<https://www.phoenixcontact.com/us/products/1413964>

Approvals

To download certificates, visit the product detail page: <https://www.phoenixcontact.com/us/products/1413964>



UL Listed

Approval ID: E308814-20180830

FOC-V14-F1ZNI-EM/SJB - Panel-mount frame



1413964

<https://www.phoenixcontact.com/us/products/1413964>

Classifications

ECLASS

ECLASS-13.0	27440210
ECLASS-15.0	27440210

ETIM

ETIM 10.0	EC002310
-----------	----------

UNSPSC

UNSPSC 21.0	39121400
-------------	----------

FOC-V14-F1ZNI-EM/SJB - Panel-mount frame



1413964

<https://www.phoenixcontact.com/us/products/1413964>

Environmental product compliance

EU RoHS

Fulfills EU RoHS substance requirements	Yes, No exemptions
---	--------------------

China RoHS

Environment friendly use period (EFUP)	EFUP-E
	No hazardous substances above the limits

EU REACH SVHC

REACH candidate substance (CAS No.)	No substance above 0.1 wt%
-------------------------------------	----------------------------

Phoenix Contact 2026 © - all rights reserved
<https://www.phoenixcontact.com>

Phoenix Contact USA
586 Fulling Mill Road
Middletown, PA 17057, United States
(+717) 944-1300
info@phoenixcon.com