

CUC-V14-F1ZNI-EM/R40 - Panel-mount frame



1413963

<https://www.phoenixcontact.com/us/products/1413963>

Please be informed that the data shown in this PDF document is generated from our online catalog. Please find the complete data in the user documentation. Our general terms of use for downloads are valid.



RJ45 panel mounting frame, IP67, for push-pull interlocking, metal, for PCB connection, for square panel cutout, with grommet and mounting screws

Commercial data

Item number	1413963
Packing unit	1 pc
Minimum order quantity	1 pc
Sales key	AB17
Product key	ABNODC
GTIN	4055626082202
Weight per piece (including packing)	25.4 g
Weight per piece (excluding packing)	19.723 g
Customs tariff number	85389099
Country of origin	PL

1413963

<https://www.phoenixcontact.com/us/products/1413963>

Technical data

Product properties

Product type	Panel-mount frame
Type	RJ45
Number of positions	8
Connection profile	RJ45

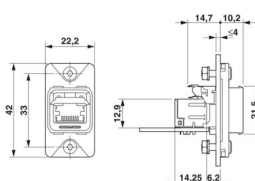
Insulation characteristics

Degree of pollution	2
---------------------	---

Electrical properties

Transmission medium	Copper
---------------------	--------

Dimensions

Dimensional drawing	
Width	22.2 mm
Height	42 mm
Length	25 mm

Material specifications

Material	Metal
Flammability rating according to UL 94	V0
Seal material	NBR
	NBR
Housing material	Metal
Housing surface material	nickel-plated

Environmental and real-life conditions

Ambient conditions

Degree of protection	IP65/IP67
Ambient temperature (operation)	-40 °C ... 70 °C
Ambient temperature (storage/transport)	-40 °C ... 70 °C
Ambient temperature (assembly)	-5 °C ... 55 °C

CUC-V14-F1ZNI-EM/R4O - Panel-mount frame

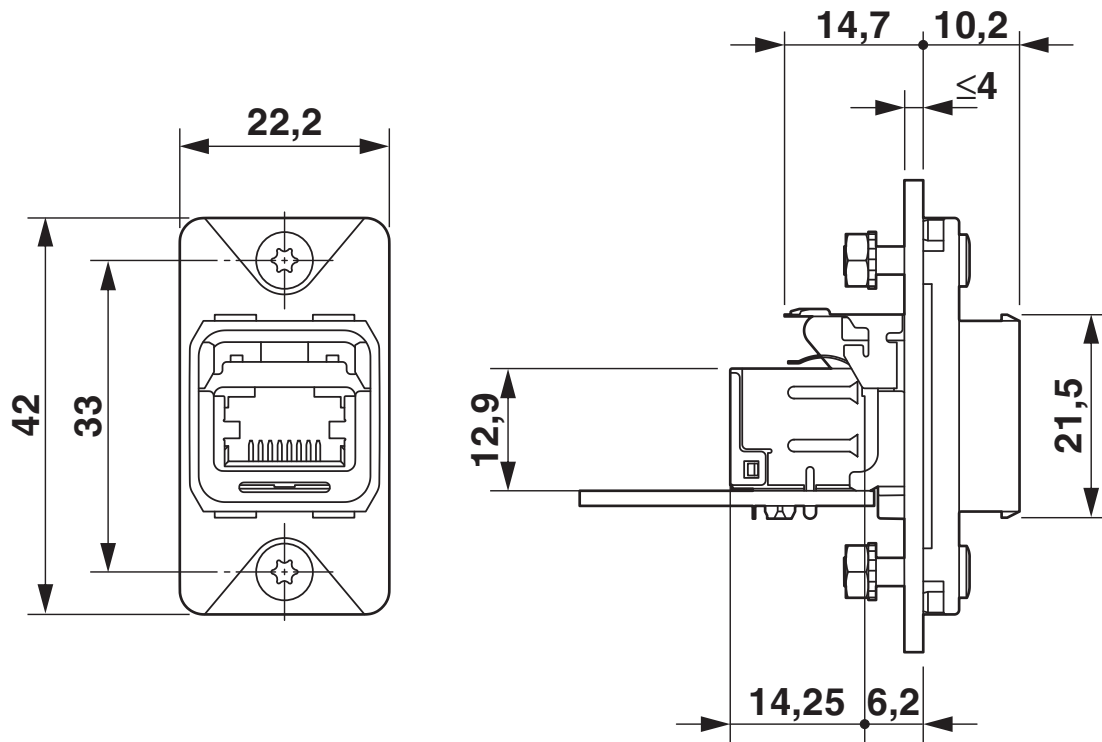


1413963

<https://www.phoenixcontact.com/us/products/1413963>

Drawings

Dimensional drawing



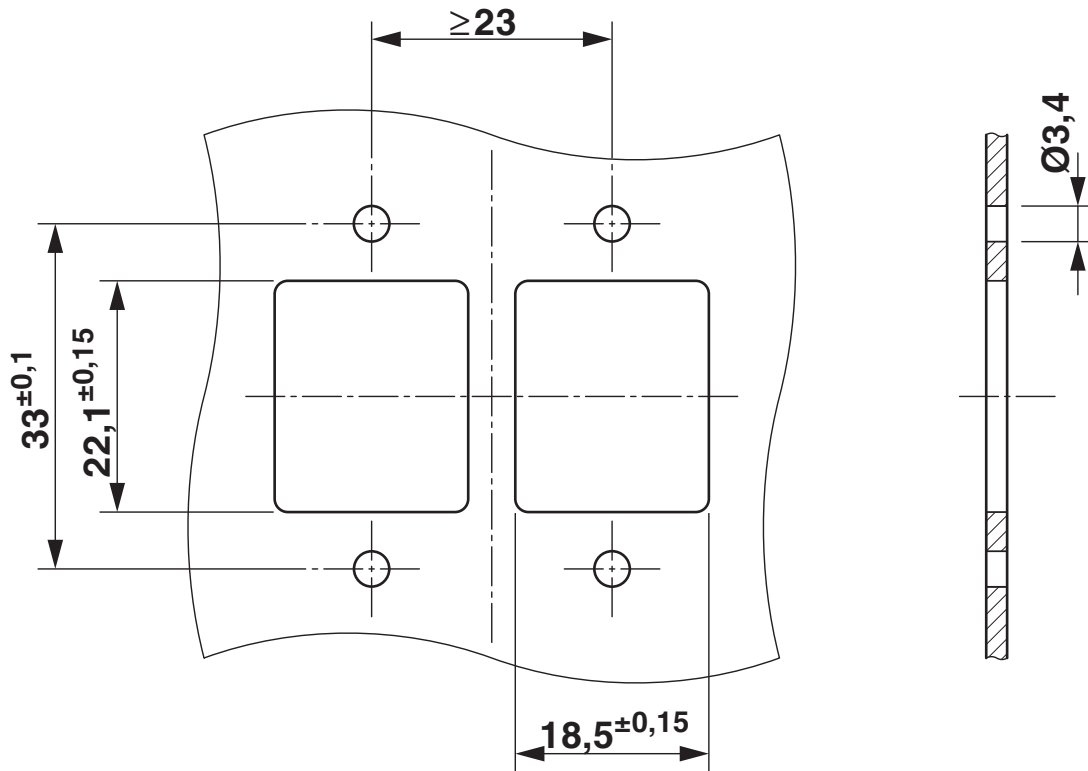
CUC-V14-F1ZNI-EM/R4O - Panel-mount frame

1413963

<https://www.phoenixcontact.com/us/products/1413963>



Drilling plan/solder pad geometry



CUC-V14-F1ZNI-EM/R4O - Panel-mount frame



1413963

<https://www.phoenixcontact.com/us/products/1413963>

Classifications

ECLASS

ECLASS-13.0	27440210
ECLASS-15.0	27440210

ETIM

ETIM 10.0	EC002310
-----------	----------

UNSPSC

UNSPSC 21.0	39121400
-------------	----------

CUC-V14-F1ZNI-EM/R4O - Panel-mount frame



1413963

<https://www.phoenixcontact.com/us/products/1413963>

Environmental product compliance

EU RoHS

Fulfills EU RoHS substance requirements	Yes, No exemptions
---	--------------------

China RoHS

Environment friendly use period (EFUP)	EFUP-E
	No hazardous substances above the limits

EU REACH SVHC

REACH candidate substance (CAS No.)	No substance above 0.1 wt%
-------------------------------------	----------------------------

Phoenix Contact 2026 © - all rights reserved
<https://www.phoenixcontact.com>

Phoenix Contact USA
586 Fulling Mill Road
Middletown, PA 17057, United States
(+717) 944-1300
info@phoenixcon.com