

# CUC-V14-F1ZNI-EM/R4F8 - Panel-mount frame



1413961

<https://www.phoenixcontact.com/us/products/1413961>

Please be informed that the data shown in this PDF document is generated from our online catalog. Please find the complete data in the user documentation. Our general terms of use for downloads are valid.



RJ45 panel mounting frame, IP67, for push-pull interlocking, metal, for rectangular mounting cutout, with seal and mounting screws, incl. RJ45 insert with IDC cable connection

## Commercial data

Item number	1413961
Packing unit	1 pc
Minimum order quantity	1 pc
Sales key	AB17
Product key	ABNODB
GTIN	4055626082196
Weight per piece (including packing)	46.2 g
Weight per piece (excluding packing)	40.211 g
Customs tariff number	85366990
Country of origin	PL

1413961

<https://www.phoenixcontact.com/us/products/1413961>

## Technical data

### Product properties

Product type	Panel-mount frame
Type	RJ45
Number of positions	8
Connection profile	RJ45
Number of slots	1

### Insulation characteristics

Degree of pollution	2
---------------------	---

### Electrical properties

Rated voltage (III/3)	72 V (DC)
Rated surge voltage	1 kV
Operating voltage	72 V (DC)
Frequency range	500 MHz
Insulation resistance	> 500 M $\Omega$ (100 V DC)
Transmission medium	Copper
Transmission speed	10 Gbps

### Connection data

#### Connection technology

Connection method	IDC connection
-------------------	----------------

### Dimensions

Width	22.2 mm
Height	42 mm
Length	51 mm

### Material specifications

Material	Metal
Flammability rating according to UL 94	V0
Seal material	NBR
Seal material, pin connector pattern	NBR
Housing material	Metal
Housing surface material	nickel-plated
Material, protective cover	PC

### Cable/line

Shielded	yes
Signal type/category	Ethernet CAT6 <sub>A</sub> , 10 Gbps
External cable diameter	4.5 mm ... 9 mm
Wire diameter	0.4 mm ... 0.65 mm

# CUC-V14-F1ZNI-EM/R4F8 - Panel-mount frame



1413961

<https://www.phoenixcontact.com/us/products/1413961>

Wire diameter including insulation	0.8 mm ... 1.6 mm
------------------------------------	-------------------

## Mechanical properties

### Mechanical data

Insertion/withdrawal cycles	≥ 750
-----------------------------	-------

## Environmental and real-life conditions

### Ambient conditions

Degree of protection	IP65/IP67
Ambient temperature (operation)	-10 °C ... 60 °C
Ambient temperature (storage/transport)	-40 °C ... 70 °C
Ambient temperature (assembly)	-5 °C ... 55 °C

# CUC-V14-F1ZNI-EM/R4F8 - Panel-mount frame

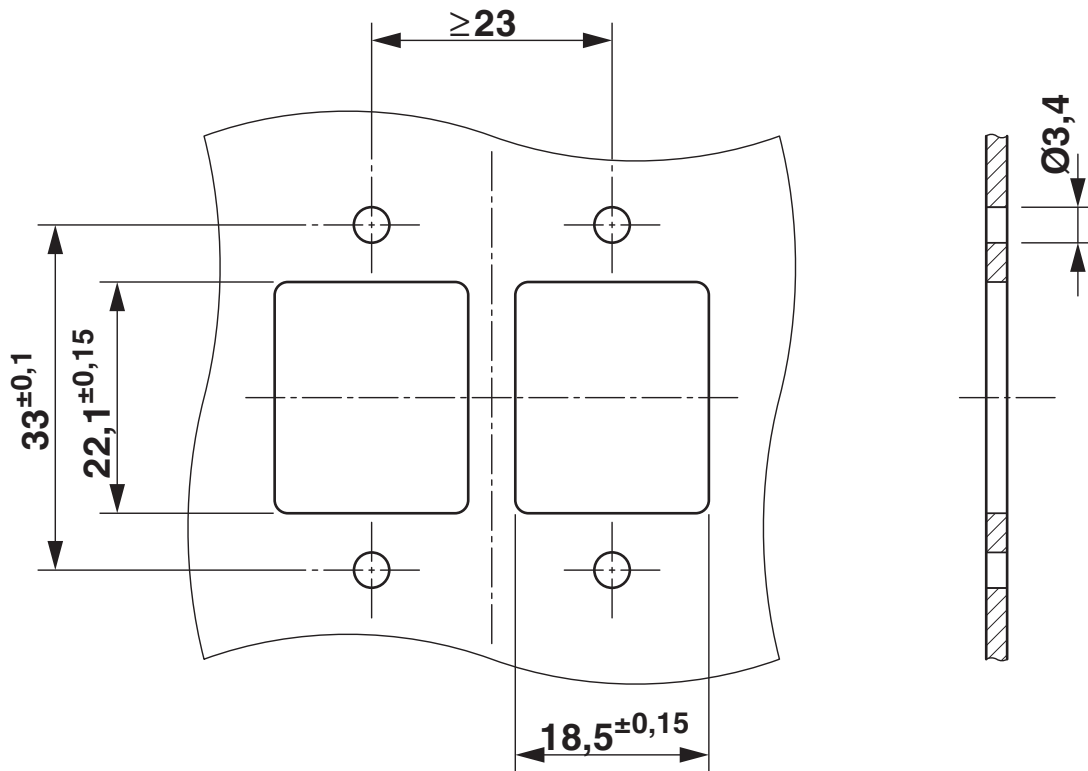
1413961

<https://www.phoenixcontact.com/us/products/1413961>



## Drawings

Drilling plan/solder pad geometry



# CUC-V14-F1ZNI-EM/R4F8 - Panel-mount frame




1413961

<https://www.phoenixcontact.com/us/products/1413961>

## Approvals

To download certificates, visit the product detail page: <https://www.phoenixcontact.com/us/products/1413961>

 <b>cULus Recognized</b> Approval ID: E335024-20160727		Nominal voltage $U_N$	Nominal current $I_N$	Cross section AWG	Cross section $\text{mm}^2$
keine					
		56.5 V	0.175 A	-	-

# CUC-V14-F1ZNI-EM/R4F8 - Panel-mount frame



1413961

<https://www.phoenixcontact.com/us/products/1413961>

## Classifications

### ECLASS

ECLASS-13.0	27440210
ECLASS-15.0	27440210

### ETIM

ETIM 10.0	EC002310
-----------	----------

### UNSPSC

UNSPSC 21.0	39121400
-------------	----------

# CUC-V14-F1ZNI-EM/R4F8 - Panel-mount frame



1413961

<https://www.phoenixcontact.com/us/products/1413961>

## Environmental product compliance

### EU RoHS

Fulfills EU RoHS substance requirements	Yes, No exemptions
-----------------------------------------	--------------------

### China RoHS

Environment friendly use period (EFUP)	EFUP-E
	No hazardous substances above the limits

### EU REACH SVHC

REACH candidate substance (CAS No.)	No substance above 0.1 wt%
-------------------------------------	----------------------------

Phoenix Contact 2026 © - all rights reserved  
<https://www.phoenixcontact.com>

Phoenix Contact USA  
586 Fulling Mill Road  
Middletown, PA 17057, United States  
(+717) 944-1300  
[info@phoenixcon.com](mailto:info@phoenixcon.com)