

SACB-4/T-L-8FUSE CT AXL - Power distributor



1413929

<https://www.phoenixcontact.com/us/products/1413929>

Please be informed that the data shown in this PDF document is generated from our online catalog. Please find the complete data in the user documentation. Our general terms of use for downloads are valid.



Power distributor, application: Energy supply, connection method: M12 socket Metal, number of slots: 4, number of positions: 4, coding: T, slot assignment: single, status display: yes, Universal; master cable connection: Plug-in master cable connection 90°, shielding: no

Your advantages

- Safety in the field, thanks to molded housing and high degree of protection
- Convenient: increased machine availability thanks to quick and easy diagnostics
- Flexible: distributor box with connector hood for on-site assembly

Commercial data

Item number	1413929
Packing unit	1 pc
Minimum order quantity	1 pc
Sales key	BF44
Product key	AF3ECC
GTIN	4055626025476
Weight per piece (including packing)	590.9 g
Weight per piece (excluding packing)	556.5 g
Customs tariff number	85444290
Country of origin	DE

SACB-4/T-L-8FUSE CT AXL - Power distributor



1413929

<https://www.phoenixcontact.com/us/products/1413929>

Technical data

Notes

Assembly note	NOTE: Observe the permissible bending radii when routing cables, since the degree of protection may be at risk if the bending forces are too high. Reduce mechanical loads upstream of the connector, e.g., by using cable ties.
Note on application	Unused slots are to be sealed off prior to commissioning. Suitable sealing elements are to be found under "Accessories".

Product properties

Product type	Distributor box
Application	Energy supply
Number of positions	4
Number of slots	4
Coding	T

System properties

Local diagnostics

Monitored function	Supply voltage per module
Optical representation	Green LED

Electrical properties

Max. operating voltage U_{max}	30.5 V DC
Local diagnostics	Supply voltage per module Green LED
	Status display I/O Yellow LED
Nominal voltage U_N	24 V DC
Rated current, total	70 A (at 40 °C, observe the distribution of the current paths under load)
Protective circuit	Overload protection for the outputs; Fuse in header
Max. current carrying capacity per path	10 A
Current carrying capacity per slot	2x 9.25 A (at 40 °C)

Connection data

Conductor connection

Sensor/actuator connection system	M12 socket
Conductor cross-section Flexible power supply	2.5 mm ² ... 6 mm ²
Connection cross section AWG Flexible power supply	14 ... 10
Tightening torque, cover screw	0.6 Nm
Tightening torque slot sensor/actuator cable	0.4 Nm
Tightening torque, union nut	5 Nm

Signaling

Status display present	yes
------------------------	-----

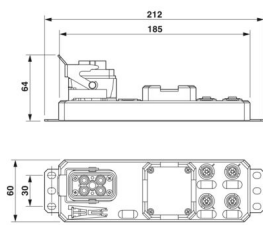
SACB-4/T-L-8FUSE CT AXL - Power distributor



1413929

<https://www.phoenixcontact.com/us/products/1413929>

Dimensions

Dimensional drawing	
Width	60 mm
Height	52 mm
Length	212 mm

Material specifications

Material Threaded sleeve	Die-cast zinc
Material Housing	PBT
Material Molding compound	PUR
Flammability rating according to UL 94	V0
Seal material	Viton NBR
Contact material	Cu alloy
Contact surface material	pre-nickel plated, gold-plated
Contact carrier material	PA
Material of contact, master cable side	CU alloy
Material of the contact carrier on the master cable side	PC
Material of contact surface, master cable side	Silver-plated

Cable/line

External cable diameter	9 mm ... 15.5 mm
Connection method	Plug-in master cable connection

Environmental and real-life conditions

Ambient conditions

Degree of protection	IP66 IP67
Ambient temperature (operation)	-25 °C ... 60 °C
Ambient temperature (storage/transport)	-25 °C ... 80 °C

Standards and regulations

Standard designation	M12 connector
Standards/specifications	IEC 61076-2-111
Standard designation	Shock, vibration
Standards/specifications	EN 60068-2-6 EN 60068-2-27

SACB-4/T-L-8FUSE CT AXL - Power distributor



1413929

<https://www.phoenixcontact.com/us/products/1413929>

EN 60068-2-64

SACB-4/T-L-8FUSE CT AXL - Power distributor

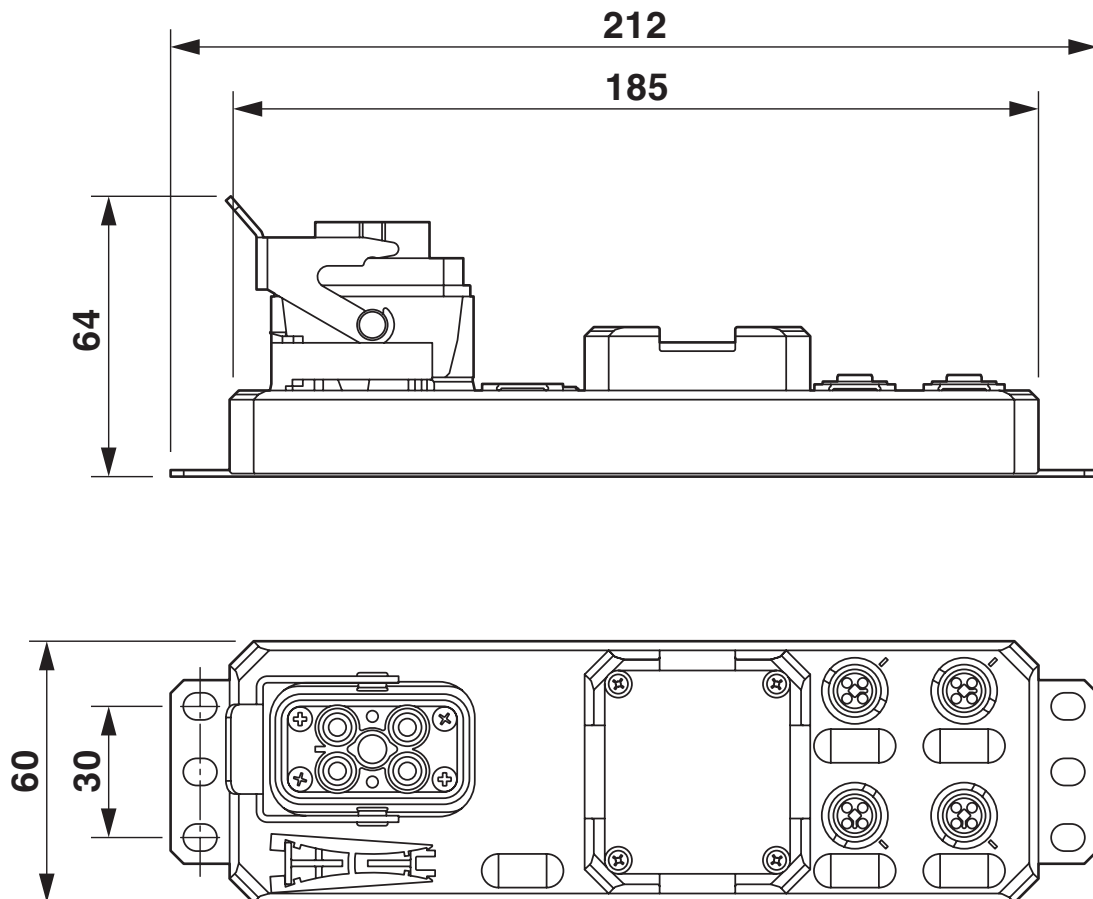


1413929

<https://www.phoenixcontact.com/us/products/1413929>

Drawings

Dimensional drawing



SACB-4/T-L-8FUSE CT AXL - Power distributor

1413929

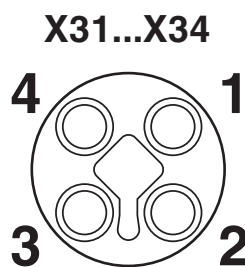
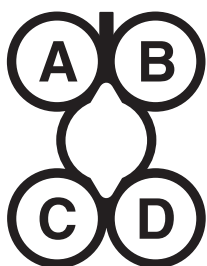
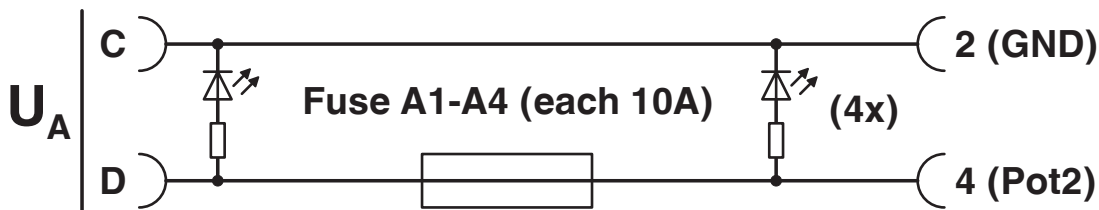
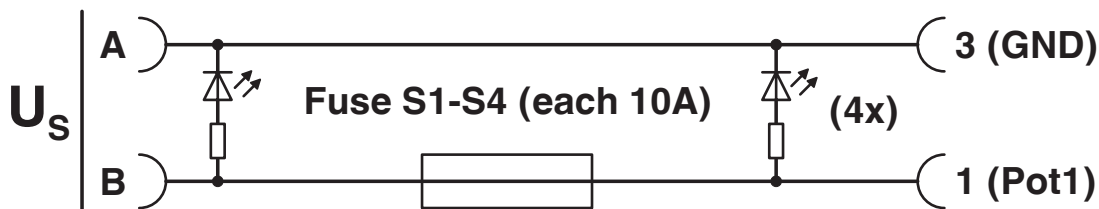
<https://www.phoenixcontact.com/us/products/1413929>

Schematic diagram



Pin assignment of M12 socket, 4-pos., T-coded, socket side view

Circuit diagram



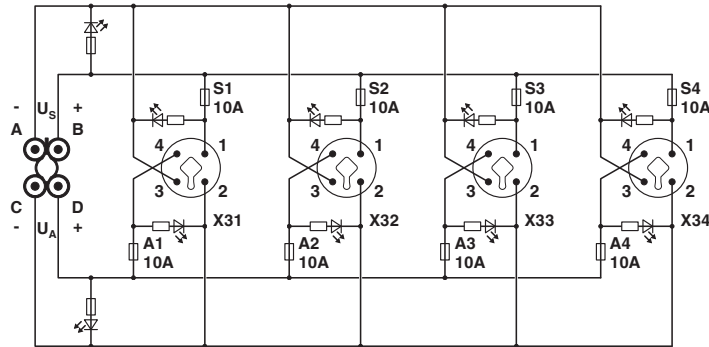
SACB-4/T-L-8FUSE CT AXL - Power distributor



1413929

<https://www.phoenixcontact.com/us/products/1413929>

Circuit diagram



SACB-4/T-L-8FUSE CT AXL - Power distributor



1413929

<https://www.phoenixcontact.com/us/products/1413929>

Classifications

ECLASS

ECLASS-13.0	27440111
ECLASS-15.0	27440111

ETIM

ETIM 10.0	EC003558
-----------	----------

UNSPSC

UNSPSC 21.0	31251500
-------------	----------

SACB-4/T-L-8FUSE CT AXL - Power distributor



1413929

<https://www.phoenixcontact.com/us/products/1413929>

Environmental product compliance

EU RoHS

Fulfills EU RoHS substance requirements	Yes, No exemptions
---	--------------------

China RoHS

Environment friendly use period (EFUP)	EFUP-E
	No hazardous substances above the limits

EU REACH SVHC

REACH candidate substance (CAS No.)	No substance above 0.1 wt%
-------------------------------------	----------------------------

Phoenix Contact 2026 © - all rights reserved

<https://www.phoenixcontact.com>

Phoenix Contact USA
586 Fulling Mill Road
Middletown, PA 17057, United States
(+717) 944-1300
info@phoenixcon.com