

NBC-FSDBPS/0,33-93B/R4ACR - Patch cable



1413493

<https://www.phoenixcontact.com/us/products/1413493>

Please be informed that the data shown in this PDF document is generated from our online catalog. Please find the complete data in the user documentation. Our general terms of use for downloads are valid.



PROFINET patch cable, shielded, star quad, AWG: 22, flexible (7-wire), RAL 6018 (green), M12 flush-type female connector, rear mounting, SPEEDCON 4-pos., straight, to RJ45 connector/IP20, straight, length: 0.33 m

Your advantages

- Perfect for industrial applications
- Perfect for office, building, and protected industrial applications (e.g., in control cabinets)
- Compact angle

Commercial data

Item number	1413493
Packing unit	1 pc
Minimum order quantity	1 pc
Note	Made to order (non-returnable)
Sales key	AB18
Product key	ABNPAB
GTIN	4055626012889
Weight per piece (including packing)	60.5 g
Weight per piece (excluding packing)	50.922 g
Customs tariff number	85444290
Country of origin	PL

1413493

<https://www.phoenixcontact.com/us/products/1413493>

Technical data

Product properties

Product type	Circular connectors (device side)
Number of positions	4
Shielded	yes

Insulation characteristics

Overvoltage category	I
Degree of pollution	3

Material specifications

Flammability rating according to UL 94	V2
Housing material	CuZn/PA
Outer sheath, material	PVC
Conductor material	Tin-plated Cu litz wires

Electrical properties

Rated voltage (III/3)	72 V (DC)
Nominal voltage U_N	48 V
Nominal current I_N	2 A
Transmission medium	Copper
Transmission speed	100 Mbps
Transmission characteristics (category)	CAT5 (IEC 11801:2002)

Mechanical properties

Mechanical data

Insertion/withdrawal cycles	≥ 100
-----------------------------	------------

Connector

Connection 1

Type	Flush-type female connector straight M12
Locking type	SPEEDCON
Coding type	D
Degree of protection	IP65/IP67

Connection 2

Type	Plug angled RJ45
Handle color	black
Degree of protection	IP20

Cable/line

Cable length	0.33 m
--------------	--------


NBC-FSDBPS/0,33-93B/R4ACR - Patch cable



1413493

<https://www.phoenixcontact.com/us/products/1413493>

PROFINET PVC stranded CAT5 [93B]

Dimensional drawing	
Cable weight	67 kg/km
UL AWM Style	21694
Number of positions	4
Shielded	yes
Cable type	PROFINET PVC stranded CAT5 [93B]
Conductor structure	1x4xAWG22/7, SF/TQ
Signal runtime	5.3 ns/m
Signal speed	0.66 c
Conductor structure signal line	7x 0.25 mm
AWG signal line	22
Conductor cross-section	4x 0.34 mm ²
Wire diameter incl. insulation	1.55 mm
External cable diameter	6.50 mm ±0.2 mm
Outer sheath, material	PVC
External sheath, color	green RAL 6018
Conductor material	Tin-plated Cu litz wires
Material wire insulation	PE
Single wire, color	white, yellow, blue, orange
Thickness, outer sheath	approx. 0.90 mm
Overall twist	Star quad
Optical shield covering	85 %
Insulation resistance	≥ 500 MΩ*km
Coupling resistance	≤ 20.00 mΩ/m (at 10 MHz)
Loop resistance	≤ 120.00 Ω/km
Wave impedance	100 Ω ±15 Ω (at 100 MHz)
Nominal voltage, cable	600 V
Test voltage Core/Core	2000 V (50 Hz, 1 min.)
Test voltage Core/Shield	2000.00 V (50 Hz, 1 min.)
Minimum bending radius, fixed installation	3 x D
Minimum bending radius, flexible installation	7 x D
Smallest bending radius, fixed installation	20 mm
Smallest bending radius, movable installation	46 mm
Near end crosstalk attenuation (NEXT)	80 dB (with 1 MHz) 76 dB (at 4 MHz)

1413493

<https://www.phoenixcontact.com/us/products/1413493>

Shield attenuation	70 dB (at 10 MHz)	
	65 dB (at 16 MHz)	
	63 dB (at 20 MHz)	
	60 dB (at 31.25 MHz)	
	55 dB (at 62.5 MHz)	
	50 dB (at 100 MHz)	
	2.1 dB (with 1 MHz)	
	4 dB (at 4 MHz)	
	6.3 dB (at 10 MHz)	
	8 dB (at 16 MHz)	
Flame resistance	9 dB (at 20 MHz)	
	11.4 dB (at 31.25 MHz)	
	16.5 dB (at 62.5 MHz)	
	21.3 dB (at 100 MHz)	
	according to UL 1685 (CSA FT 4)	
	Resistance to oil	Resistant to oil to a limited extent
	Other resistance	UV resistant (according to UL 1581, Section 1200)
	Ambient temperature (operation)	-40 °C ... 70 °C (cable, fixed installation)
		-40 °C ... 70 °C (Cable, flexible installation)
	Ambient temperature (installation)	-20 °C ... 60 °C

Environmental and real-life conditions

Ambient conditions

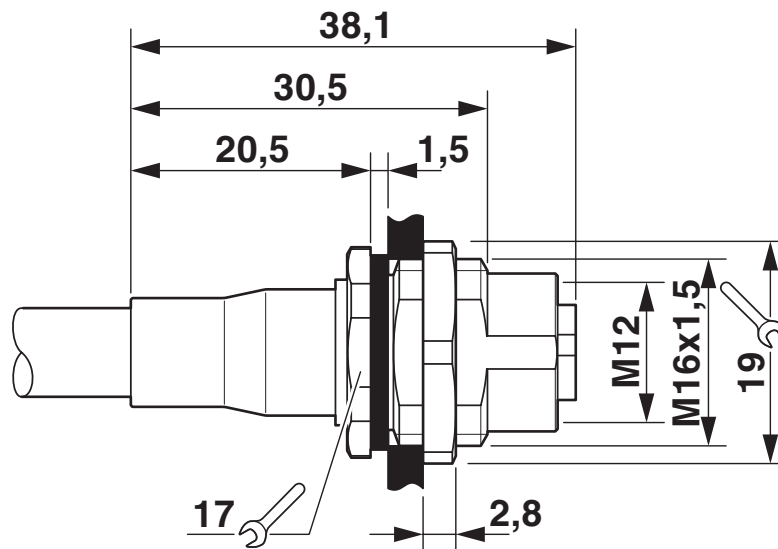
Degree of protection	IP20 (RJ45 connector)
	IP20
Ambient temperature (operation)	-40 °C ... 70 °C (cable, fixed installation)
	-5 °C ... 50 °C (Cable, flexible installation)
	-25 °C ... 80 °C (Plug / socket)

1413493

<https://www.phoenixcontact.com/us/products/1413493>

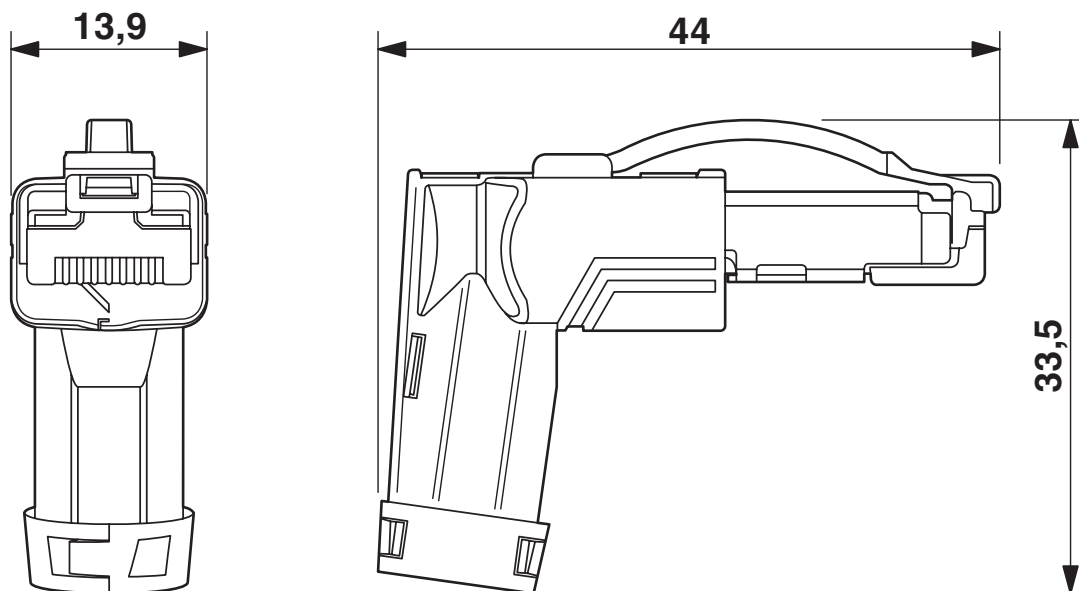
Drawings

Dimensional drawing



M12 flush-type connector

Dimensional drawing



RJ45 connector, IP20, angled

Schematic diagram



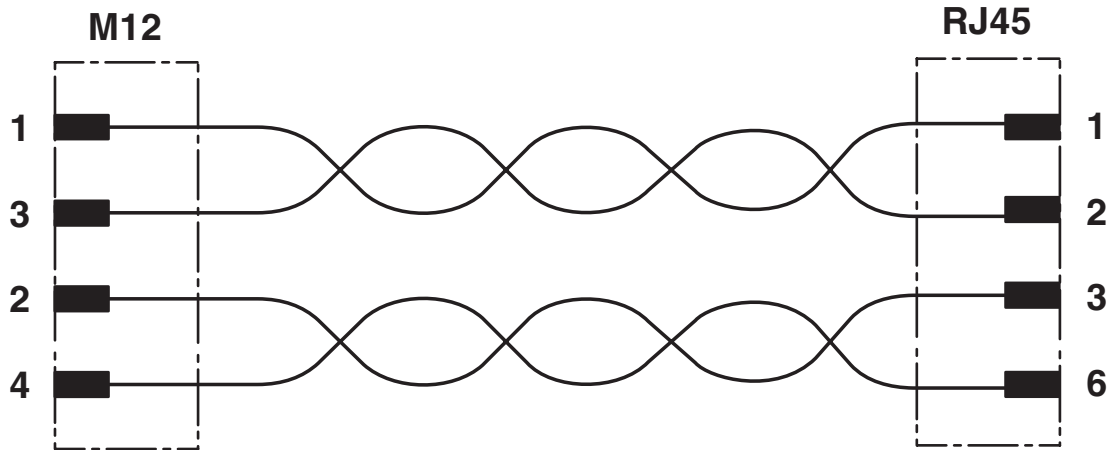
Pin assignment M12 socket, 4-pos., D-coded, female side

Schematic diagram



Connector pin assignment plug RJ45

Circuit diagram



NBC-FSDBPS/0,33-93B/R4ACR - Patch cable



1413493

<https://www.phoenixcontact.com/us/products/1413493>

Approvals

To download certificates, visit the product detail page: <https://www.phoenixcontact.com/us/products/1413493>



EAC

Approval ID: 19060508

1413493

<https://www.phoenixcontact.com/us/products/1413493>

Classifications

ECLASS

ECLASS-13.0	27440103
ECLASS-15.0	27440103

ETIM

ETIM 10.0	EC003570
-----------	----------

UNSPSC

UNSPSC 21.0	26121600
-------------	----------

NBC-FSDBPS/0,33-93B/R4ACR - Patch cable



1413493

<https://www.phoenixcontact.com/us/products/1413493>

Environmental product compliance

EU RoHS

Fulfills EU RoHS substance requirements	Yes, No exemptions
---	--------------------

China RoHS

Environment friendly use period (EFUP)	EFUP-E
	No hazardous substances above the limits

EU REACH SVHC

REACH candidate substance (CAS No.)	No substance above 0.1 wt%
-------------------------------------	----------------------------

Phoenix Contact 2026 © - all rights reserved
<https://www.phoenixcontact.com>

Phoenix Contact USA
586 Fulling Mill Road
Middletown, PA 17057, United States
(+717) 944-1300
info@phoenixcon.com