

# HC-ADV-B06-HLWH-1TTM20-EMC-AL - Housing



1413362

<https://www.phoenixcontact.com/us/products/1413362>

Please be informed that the data shown in this PDF document is generated from our online catalog. Please find the complete data in the user documentation. Our general terms of use for downloads are valid.



HEAVYCON ADVANCE sleeve housing, B6, with stainless steel screw locking (Allen screw), salt-water-resistant aluminum, height 74 mm, with 1x M20 thread, straight cable outlet, without surface; conductive seal (EMC properties)

## Commercial data

|                                      |               |
|--------------------------------------|---------------|
| Item number                          | 1413362       |
| Packing unit                         | 1 pc          |
| Minimum order quantity               | 1 pc          |
| Sales key                            | BF58          |
| Product key                          | AF7APH        |
| GTIN                                 | 4055626029955 |
| Weight per piece (including packing) | 209.6 g       |
| Weight per piece (excluding packing) | 209 g         |
| Customs tariff number                | 85389099      |
| Country of origin                    | PL            |

1413362

<https://www.phoenixcontact.com/us/products/1413362>

## Technical data

### Notes

|         |  |
|---------|--|
| General | For contact inserts HC-B6, BB10, DD24, M |
|---------|--|

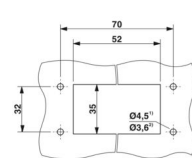
### Product properties

|                              |                                   |
|------------------------------|-----------------------------------|
| Product type                 | Housing with screw locking        |
| Housing type                 | Sleeve housing                    |
| Product family               | HC-ADV                            |
| Application                  | Offshore/EMC                      |
| Type                         | B6                                |
| No. of cable outlets         | 1                                 |
| Type of the screw connection | 1x M20                            |
| Fixing screws                | M6 (screw head: 5 mm Allen screw) |
| Cable outlet                 | straight                          |
| Pg screw connection          | none                              |

### Connection data

|                   |  |
|-------------------|--|
| Tightening torque | 3 Nm ... 5 Nm (for M6 mounting screws on the sleeve housing) |
|-------------------|--|

### Dimensions

|                     |  |
|---------------------|--|
| Dimensional drawing |  |
| Width               | 57 mm  |
| Height              | 74 mm  |
| Length              | 92 mm  |

### Installation dimensions

|                               |       |
|-------------------------------|-------|
| Width of the assembly cutout  | 35 mm |
| Length of the assembly cutout | 52 mm |

### Material specifications

|                          |   |
|--------------------------|---|
| Seal material            | NBR, conductive                         |
| Housing material         | Die-cast aluminum, salt water resistant |
| Housing surface material | uncoated                                |
| Locking latch material   | Stainless steel                         |

### Environmental and real-life conditions

#### Ambient conditions

|                      |                     |
|----------------------|---------------------|
| Degree of protection | IP66                |
|                      | IP68 (0.2 bar/24 h) |

1413362

<https://www.phoenixcontact.com/us/products/1413362>

|                                 |                          |
|---------------------------------|--------------------------|
|                                 | IP69 (ISO 20653:2013-02) |
| Enclosure rating (NEMA)         | 4 (UL 50e)               |
|                                 | 4X (UL 50e)              |
|                                 | 12 (UL 50e)              |
| Impact strength                 | IK09                     |
| Ambient temperature (operation) | -40 °C ... 125 °C        |

## Mechanical properties

### Mechanical data

|                              |        |
|------------------------------|--------|
| Type of the screw connection | 1x M20 |
| Locking type                 | Screw  |

## Mounting

|               |  |
|---------------|--|
| Assembly note | In order to guarantee that the protective conductor contact functions even when plugged in at an angle, the two panel-mount flanges must have sufficient electrical contact with the metal mounting panel. |
| Fixing screws | M6 (screw head: 5 mm Allen screw)  |

1413362

<https://www.phoenixcontact.com/us/products/1413362>

## Drawings

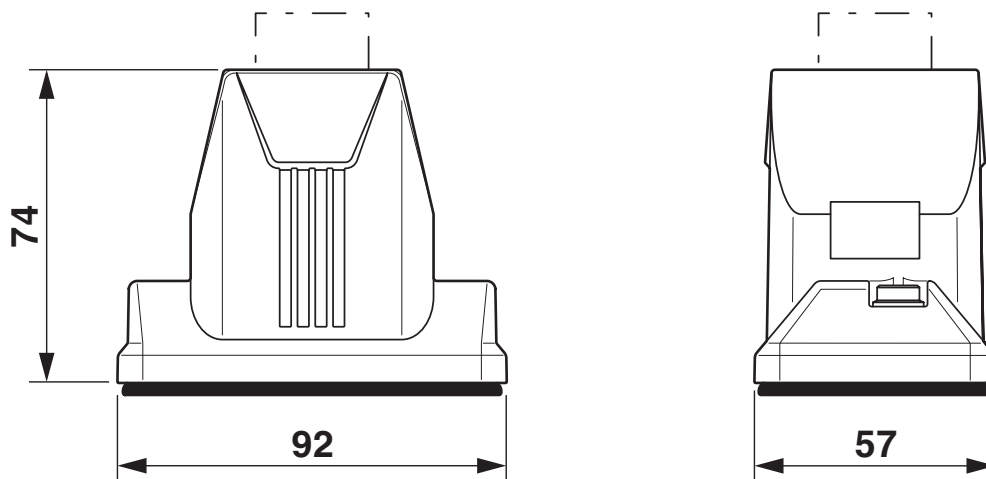


Mounting cutout

1) when M4 screws are used

2) when self-tapping Torx® screws are used (Torx® 20, M4)

Dimensional drawing



Dimensional drawing

1413362

<https://www.phoenixcontact.com/us/products/1413362>

## Approvals

To download certificates, visit the product detail page: <https://www.phoenixcontact.com/us/products/1413362>

**DNV**

Approval ID: TAE000037S



**cUL Recognized**

Approval ID: E255026



**UL Recognized**

Approval ID: E255026



**EAC**

Approval ID: RU C-DE.AI30.B.01102

1413362

<https://www.phoenixcontact.com/us/products/1413362>

## Classifications

### ECLASS

|             |          |
|-------------|----------|
| ECLASS-13.0 | 27440202 |
| ECLASS-15.0 | 27440202 |

### ETIM

|           |          |
|-----------|----------|
| ETIM 10.0 | EC000437 |
|-----------|----------|

### UNSPSC

|             |          |
|-------------|----------|
| UNSPSC 21.0 | 31261500 |
|-------------|----------|

1413362

<https://www.phoenixcontact.com/us/products/1413362>

## Environmental product compliance

### EU RoHS

|   |                    |
|---|--------------------|
| Fulfills EU RoHS substance requirements | Yes, No exemptions |
|---|--------------------|

### China RoHS

|  |  |
|--|--|
| Environment friendly use period (EFUP) | EFUP-E                                   |
|  | No hazardous substances above the limits |

### EU REACH SVHC

|                                     |                            |
|-------------------------------------|----------------------------|
| REACH candidate substance (CAS No.) | No substance above 0.1 wt% |
|-------------------------------------|----------------------------|

### EF3.1 Climate Change

|         |               |
|---------|---------------|
| CO2e kg | 4.067 kg CO2e |
|---------|---------------|

Phoenix Contact 2026 © - all rights reserved  
<https://www.phoenixcontact.com>

Phoenix Contact USA  
586 Fulling Mill Road  
Middletown, PA 17057, United States  
(+717) 944-1300  
[info@phoenixcon.com](mailto:info@phoenixcon.com)